

OPERATION
AND
MAINTENANCE
MANUAL
WITH
PARTS LIST

MODEL: B 2-38, B 2-48

SERIAL #: 92739-102561

MANUAL # MB-248-04

****IMPORTANT****

READ AND FOLLOW INSTRUCTIONS GIVEN IN SAFETY AND OPERATIONS SECTIONS, AND THOSE SECTIONS RELATED TO YOUR SERVICE AND REPAIR RESPONSIBILITIES.



TAYLOR-DUNN
Commercial and Industrial Vehicles Since 1949

2114 W. Ball Rd., Anaheim, CA 92804 (714)956-4040 (FAX) (714)956-0504
Mailing address: P.O. Box 4240, Anaheim, CA 92803

IMPORTANT INFORMATION

This vehicle conforms to applicable portions of ANSI B56.8 (American National Standard Personnel and Burden Carriers). This manual is designed for use by Vehicle Operators and Service Personnel alike. Throughout the manual, there are various WARNINGS, CAUTIONS, and NOTICES which must be carefully read to help reduce the possibility of personal injury. Maintenance personnel must understand that if a service procedure or method is used that is not recommended by Taylor-Dunn, it then becomes the personal responsibility of the person performing the work to first satisfy himself that neither his safety, the safety of others, or the safety of the vehicle will be endangered. ANSI B56.8 applies to only those vehicles with Serial Numbers dated after July 31, 1982.

Definitions of the three terms are as follows:

WARNING - There is a potential for injury to yourself or others.

CAUTION - There is a potential for damage to the vehicle.

NOTE - Specific information clarifying or giving the reason for a particular maintenance or service procedure.

Before operating your Taylor-Dunn vehicle, it is your responsibility to read, understand and follow the safety and operating instructions contained in this manual to help ensure your safety and comfort. If this car is to be used for rental purposes, it is your responsibility to explain to the operator about the various controls and vehicle operating characteristics. Equally important is the operators need to know the basic rules required for safe operation of the vehicle in day to day usage. Sections 5 and 6 of ANSI B56.8 have been inserted in Section 3 of this manual for your specific operating guidelines.

1. Vehicle is to be operated only by qualified persons and only in designated areas.
2. Vehicle will not be started until all occupants are seated.
3. Occupants must remain seated while vehicle is in motion.
4. Arms, legs and feet must be kept inside while vehicle is in motion.
5. Slow down when making a turn.
6. Drive slowly straight up and down inclines.
7. Set parking brake before leaving vehicle.
8. Forward/Reverse lever must be in the correct position for direction of travel desired.

WARNING: FAILURE TO COMPLY WITH ABOVE INSTRUCTIONS COULD RESULT IN INJURY TO THE VEHICLE OCCUPANTS, BYSTANDERS AND TO PROPERTY.

TABLE OF CONTENTS
B 2-48

CONTENTS	SECTION
INSPECTION, SAFETY, AND INTRODUCTION	1
WARRANTY	2
OPERATING INSTRUCTIONS	3
MAINTENANCE GUIDE CHECKLIST	4
LUBRICATION DIAGRAM	5
TROUBLE SHOOTING CHECKLIST	6
WIRING DIAGRAM	7
PARTS ORDERING PROCEDURE	8
RECOMMENDED SPARE PARTS LIST	9
MAINTENANCE PROCEDURES, SERVICE AND ADJUSTMENTS, PARTS ILLUSTRATIONS AND LISTINGS	
FRONT AXLE, STEERING, AND TIRES	10
STEERING WORM ASSEMBLE, DISASSEMBLE/REASSEMBLE	10
REAR AXLE, MOTOR, AND BRAKES	11
D. C. MOTOR	12
HYDRAULIC BRAKE SYSTEM	13
MECHANICAL CONTROL LINKAGE	14
SPEED CONTROLLER, PWR-TRON II	15
SPEED CONTROL AND MAIN POWER SWITCHING, RHEOSTAT	16
FORWARD / REVERSE SWITCH	17
ELECTRICAL SYSTEM COMPONENTS	18
BATTERIES	19
CHARGER	20
BODY AND TRIM PARTS (OPTIONAL ITEMS)	21

INSPECTION, SAFETY AND INTRODUCTION
ARRIVAL INSPECTION CHECKLIST

Visual Inspection should be made to determine that the truck has remained in good condition during transit. If any damage is found, the details should be noted on the delivery receipt immediately. After delivery the truck should be most carefully checked for HIDDEN DAMAGE. Any concealed damage not noted on the delivery receipt should be reported, in writing, to the delivering carrier within 48 hours.

The following checklist has been prepared to aid you during arrival and inspection of your vehicle.

- A. Open all packages and examine any accessories which may be shipped detached from vehicle.
- B. Examine wiring for visible evidence of damage. Check all connections to insure that none has loosened during transit.
- C. Check all battery connections and electrolyte level in each cell.
- D. Inspect battery charger in accordance with manufacturer's installation instructions.
- E. Check tires for damage and proper inflation. Check wheel lugs to insure tightness.
- F. If vehicle is equipped with hydraulic brakes, check hydraulic lines for evidence of damage.
- G. Check brake fluid level in master cylinder.
- H. Examine entire vehicle for damage such as dents or cracks.
- I. Check operation of controls to see that they are working freely.

Upon completion of the Visual Inspection, an operational test should be made after a through review of Sections 1, 2, and 3.

The safe and satisfactory use of any vehicle is a responsibility shared by many persons.

As the manufacturer, we feel that it is our responsibility to emphasize vehicle characteristics and make safety recommendations regarding those characteristics. That is the primary purpose of this portion of the manual.

Persons who operate this vehicle need to be aware of, and to observe, the safe driving rules established in their locality, and need also to be aware of the vehicle operating characteristics and safety recommendation of the manufacturer, to assist them in exercising the judgement necessary to prevent injury to themselves or to others.

IMPORTANT: Persons who service and maintain the vehicle need to be aware of how their activities relate to safe vehicle operation, and of potential hazards involved in the service and maintenance processes, to assist them in applying sensible judgement to those processes.

STEERING: This vehicle has a very small minimum turning radius, and low ratio steering leverage.

INSPECTION, SAFETY, AND INTRODUCTION SAFETY

CAUTION: These characteristics, so desirable for maneuverability at slow speed, require that great care be exercised at high speeds to avoid turning so sharply that one or more wheels lose contact with the ground, or that the vehicle is caused to overturn. Be especially careful while traveling on an incline. Avoid sharp turns, even at slow speeds.

SPEED: This vehicle is designed to attain its maximum safe operating speed on level ground. That speed can easily be exceeded when traveling down-hill. If this is allowed to occur, vehicle stability and braking performance becomes unpredictable. **CAUTION:** Do not exceed, under any circumstances, the maximum design speed of the vehicle.

CONTROLS: Bring the vehicle to a complete standstill before operating the forward/reverse switch to change direction of travel. Operation of this control while the vehicle is in motion can result in complete loss of power. Do not use the accelerator to hold the vehicle at a standstill on an incline. This can cause complete power loss. Use only the brakes to hold the vehicle at rest while on hill. **CAUTION:** Intentional / unintentional mis-use of controls could result in an accident.

BRAKES: The brake system relies on contact of rear tires with the ground for effectiveness. As tire to ground contact is reduced, braking effect is reduced. While driving, the operator must consider terrain, speed, and steering maneuvers to prevent tires from losing contact with the ground, with consequent reduction of braking action.

MAINTENANCE: Many operating characteristics relate to maintenance in ways which are not readily obvious. Those maintenance characteristics most closely related to vehicle operating safety are indicated in Sections 4 and 5.

CAUTION: Also to be considered is the safety of personnel who perform service and maintenance duties. Two characteristics need special emphasis.

1. This electric vehicle does not "idle" noisily, is never "out of gear" and is set into motion whenever the battery to the motor circuit is closed, intentionally or otherwise. Whenever practical disconnect battery leads to avoid unintentional starting of the motor during servicing or maintenance.
2. Batteries emit gasses which can be explosive, especially while they are being charged. Personnel who are involved with servicing vehicles, or maintaining vehicles, need to be made familiar with this hazard. A detailed explanation is contained in Section 19 and 20.

CAUTION:

1. When performing maintenance on any part of the vehicle electrical system disconnect main battery leads, place forward/reverse switch in neutral. Remove key from key lock in dash panel.
2. Never replace a circuit fuse with one having a higher rating than the original equipment fuse. Fuses have been selected to provide full circuit protection for all operating conditions. **A FUSE WILL ONLY BLOW DUE TO A SHORT-CIRCUIT.** Therefore, always locate and correct the cause of short-circuit before replacing a blown fuse. Using a fuse of higher rating is an **UNSAFE PRACTICE** and could cause serious damage to equipment.
3. Intentional or unintentional mis-use of controls could result in an accident.

This vehicle is designed to be driven on smooth surfaces in and around industrial plants, nurseries, institutions, motels, mobile home parks and resorts. It is not designed to be driven on the public highways. It is not designed to go in excess of 15 m.p.h. on level surfaces or downhill. Speeds in excess of this may result in steering difficulty and possible loss of vehicle control. Vehicle is not designed to be towed in excess of 15 m.p.h.

MODEL NUMBER: The following model numbers are covered by this manual B 2-38 & B 2-48.

SERIAL NUMBER: This manual covers models beginning with serial number 92739. The serial number of your unit is stamped into the angle frame number, under the rear of the seat cushion, 4" from the left side. The model number and serial number are on a nameplate attached to the dash panel steering support shelf forward of the steering column or to the kick panel below the passenger seat. In ordering parts or referring to your unit, please use these numbers. Replacement parts can be purchased directly from your local authorized dealer.

TAYLOR-DUNN LIMITED 90 DAY WARRANTY

TAYLOR-DUNN MANUFACTURING COMPANY (TDMC), warrants each new Taylor-Dunn vehicle for ninety (90) days according to the following terms:

This warranty provides coverage for the original retail purchaser only and becomes effective on the date of the original retail purchase.

Any part of the Taylor-Dunn vehicle manufactured or supplied by TDMC and found in the reasonable judgment of TDMC to be defective in material or workmanship will be repaired and/or replaced at the business location of an authorized Taylor-Dunn distributor only without charge for parts and labor. The Taylor-Dunn vehicle (including any defective part) must be delivered to an authorized Taylor-Dunn distributor within the warranty period.

All costs of a service call regarding warranty-related repairs and/or replacements on the Taylor-Dunn vehicle at the owner's location, the labor performed by the distributor at the owner's location, all costs of delivering the Taylor-Dunn vehicle to the distributor for warranty work and the costs of returning the Taylor-Dunn vehicle back to the owner after repair or replacement will be paid for by the owner. Proof of purchase will be required by the authorized Taylor-Dunn distributor to substantiate any warranty claim. All warranty work must be performed by an authorized Taylor-Dunn distributor.

TDMC does not provide a warranty related to SCR's, tires, batteries, chargers, or other parts not of their manufacture as such parts are usually warranted separately by their respective manufacturers.

This warranty does not include service items subject to normal wear such as brake linings, seals, belts, light bulbs and fuses.

This warranty does not provide coverage for any Taylor-Dunn vehicle that has been subject to misuse, neglect, negligence, accident, or operated in any way contrary to the operating or maintenance instructions as specified in the TDMC operator's manual. The warranty does not apply to any Taylor-Dunn vehicle that has been altered or modified so as to adversely affect the vehicle's operation, performance or durability or that has been altered or modified so as to change its intended use. In addition, the warranty does not extend to repairs made necessary by normal wear, or by the use of parts or accessories which in the reasonable judgment of TDMC are either incompatible with the Taylor-Dunn vehicle or adversely affect its operation, performance or durability.

Repairs or replacements qualifying under this warranty will be performed by an authorized Taylor-Dunn distributor following delivery of the vehicle to the distributor's place of business. TDMC's responsibility in respect to claims is limited to making the required repairs or replacements. No claim of breach of warranty shall be cause for cancellation of the contract of sale of any Taylor-Dunn vehicle.

TDMC assumes no liability or responsibility for loss of use of the Taylor-Dunn vehicle, loss of time, inconvenience, or other damage, consequential or otherwise, including, but not limited to, all costs for delivering the Taylor-Dunn vehicle to the distributor and all costs of returning the vehicle back to the owner, mechanic's travel time, telephone or telegram charges, trailering or towing charges, rental of a like vehicle during the time warranty repairs are being performed, travel, lodging, loss or damage to personal property, or loss of revenue.

TDMC reserves the right to change or improve the design of any vehicle without assuming any obligation to modify any TDMC vehicle previously manufactured.

All implied warranties are limited in duration to the ninety (90) day warranty period. Accordingly, any such implied warranties

including merchantability, fitness for a particular purpose, or otherwise, are disclaimed in their entirety after the expiration of the ninety (90) day warranty period. TDMC's obligation under this warranty is absolutely and exclusively limited to the repair or replacement of defective parts, and TDMC does not assume, or does not authorize anyone to assume for them, any other obligation.

This warranty applies to all TDMC vehicles sold in the United States.

WARRANTY SERVICE

To make a claim under warranty, contact an authorized Taylor-Dunn distributor immediately upon realizing a problem exists. We recommend having the warranty work performed by the distributor who originally sold you the vehicle; however, warranty work can be obtained from any authorized Taylor-Dunn distributor. Remember, your Taylor-Dunn vehicle must be delivered to an authorized distributor within the warranty period, and all warranty work must be performed only by an authorized Taylor-Dunn distributor. Your proof of purchase will be required by the dealer to verify any warranty claim.

Examples of Items Not Covered by Warranty

Provisions of the warranty will not apply to:

Normal service requirements occurring during the warranty period, such as adjustment and cleaning or wear of a drive belt, drive chain, brake or rheostat.

Normal service work over and above the repair and replacement of defective parts. Vehicles subject to misuse, neglect, negligence, or accident.

Vehicles that have been altered or modified so as to adversely affect their operation, performance or durability or to change their intended use.

Repairs made necessary by the use of parts or accessories which are either incompatible with the vehicle or adversely affect its operation, performance or durability.

Vehicles not operated or maintained in accordance with the instructions in the Taylor-Dunn Operator's Manual.

Periodic checking, lubricating the vehicle or service check-up.

All costs of delivering the vehicle to the distributor and all costs of returning the vehicle back to the owner, mechanic's travel time, trailering or towing charges, or rental of a like vehicle during the time warranty repairs are being performed.

This warranty applies only to the original retail purchaser. Second-owner or subsequently owned vehicles are not covered under the warranty.

Owner's Obligation and Responsibility

Normal maintenance service and replacement of service items are the responsibility of the owner and as such are not considered defects in material or workmanship with the terms of this warranty. Individual operating habits and usage may contribute extensively to the need for maintenance service.

Consult with your authorized Taylor-Dunn distributor for advice on proper maintenance and care of your vehicle. Proper maintenance and care will be very helpful in keeping your overall operating costs at a minimum.

To assure warranty coverage, it is the owner's responsibility to maintain all components in proper adjustment and to service the vehicle as specified in the Taylor-Dunn Vehicle Operator's Manual. It is the owner's responsibility to provide proper lubrication for all components and provide correct recommended battery maintenance, to maintain the battery liquid level and charge as specified, as well as maintain the correct pressure in the tires of the vehicle.

OPERATING INSTRUCTIONS

The controls on your Taylor-Dunn vehicle have been designed and located for convenience of operation and efficient performance. Before driving your vehicle for the first time, familiarize yourself with each of the controls. Read the following instructions and with power off, operate each control.

STEERING: The steering wheel and steering system is similar to automotive types. Turn the steering wheel to the right (clockwise) for a right turn.

KEYLOCK: Your vehicle is equipped with a keyed lock located on the corner of forward/reverse switch. It is designed to lock the switch in the neutral position only. The key will remove from the lock in the locked position (neutral) only.

PARK BRAKE (HAND): The hand parking brake is located in the right center of floor board. To engage hand brake, grasp top lever and pull towards rear, all the way, until hand lever stops. To release brake, push hand lever all the way forward.

AUTOMATIC INTERLOCK AND DEADMAN BRAKE: (OPTION) Provides park brake feature (see wiring diagram, Section 7) setting park brake disconnecting battery and motor circuit when operator arises from seat.

SERVICE BRAKE (FOOT): The brake pedal is designed and located for right foot operation. It is the pedal located to the left of accelerator pedal. It functions the same as the brake pedal in your automobile. Depressing the pedal applies the braking action. The greater the effort applied to the pedal with your foot, the greater the braking action to your vehicle. Removing your foot from the pedal allows immediate release of the braking action to your vehicle.

FORWARD/REVERSE SWITCH: (RHEOSTAT MODEL) The forward/reverse switch is located to the right of the drivers seat. It is operated by the red handle. To place in forward position pull the red handle to the left towards the driver. To place in reverse position push the red handle to the right, away from the driver. PWR-TRON models have a forward/reverse switch on the instrument panel. Functions are labeled FORWARD, REVERSE and Center OFF.

FORWARD/REVERSE SWITCH: (PWR-TRON II OPTION) See Section 15. The forward/reverse rocker type switch is located on the instrument panel. Depressing the upper part places the vehicle in forward. Depressing the lower portion full downward places the vehicle in reverse. Center position is off.

CAUTION: The forward/reverse switch serves the same purpose as the transmission in your automobile. Treat it with the same respect and care. DO NOT SHIFT from forward to reverse or vice-versa while the vehicle is in motion. Shifting while in motion, especially near top speed, causes great strain to your vehicle and may cause severe damage, complete loss of power and could cause an accident.

ACCELERATOR PEDAL: The accelerator pedal is located to the right of the brake pedal. It is designed for right foot operation similar to your automobile. Depressing the pedal turns the power on to the motor. It also controls the amount of power delivered to the motor in 5 steps (RHEOSTAT MODELS). When driving your vehicle you will be able to feel the 5 steps of power, with full power when accelerator is fully depressed and minimum power when only partially depressed. You will have the same control of power in both directions of travel. Your forward/reverse switch determines the direction of travel and your accelerator pedal controls the speed.

HORN BUTTON: The horn button is located at the center of the steering wheel. Depressing the button sounds the horn. Releasing the button will immediately silence the horn.

OPERATING INSTRUCTIONS continued

LIGHT SWITCH: The light switch that controls headlamps and taillamps is located in the control console between the seats. It is labelled for on/off positions. (On PWR-TRON units, it is located on the dash.)

BATTERY CHARGER: Refer to Section 20 for proper instructions to operate your battery charger.

STANDARD OPTIONAL ACCESSORIES

WINDSHIELD WIPER: On vehicles equipped with electric windshield wipers the control switch is located in the control console between the seats. It is labelled for on/off position. (On PWR-TRON units it is on the dash.)

DIRECTION SIGNALS: On vehicles equipped with directional turn signals control is located on the steering column. Move the control lever to the direction you will be turning your steering wheel to signal the direction you intend to turn your vehicle. Indicating lamps are located within the twin signal control for your convenience.

The directional signal also serves as an emergency flasher control by pulling the control lever outward away from steering column when in neutral position.

SPECIAL ACCESSORIES: Refer to the appropriate section of this manual for separate operating instructions pertaining to any special features or accessory your vehicle may have.

VEHICLE OWNER AND OPERATOR'S GUIDELINES

OPERATING YOUR VEHICLE

To put your vehicle into operation, unlock forward/reverse switch by turning keyed lock counter clockwise. Select direction you wish to travel by moving handle of forward/reverse switch into position. Release parking brake, slowly depress accelerator pedal until vehicle is moving at the desired speed. Steer vehicle as required utilizing the foot brake and accelerator to control your speed as desired.

CAUTION: DO NOT "HOLD" VEHICLE AT A STANDSTILL ON A HILL OR INCLINE USING ACCELERATOR ONLY. CONTINUED "STALLED" CONDITION AS DESCRIBED WILL DAMAGE MOTOR AND ELECTRICAL CONTROLS. USE EITHER YOUR FOOT BRAKE OR HAND BRAKE TO HOLD THE VEHICLE ON A HILL SAFELY.

CAUTION: WHEN YOU LEAVE YOUR VEHICLE, IT IS BEST TO ALWAYS PLACE FORWARD/REVERSE SWITCH IN NEUTRAL POSITION. SET PARKING BRAKE TO PREVENT VEHICLE FROM ROLLING FREE, LOCK AND REMOVE KEY.

Drive safely and enjoy your Taylor-Dunn vehicle.

OPERATING RESPONSIBILITIES
AMERICAN NATIONAL STANDARD PERSONNEL AND BURDEN CARRIERS
ANSI B 56.8-1988

5 OPERATING SAFETY RULES AND PRACTICES

5.1 Personnel and Burden Carrier Operator Qualifications

5.1.1 Only persons who are trained in the proper operation of the carrier shall be authorized to operate the carrier. Operators shall be qualified as to visual, auditory, physical, and mental ability to safely operate the equipment according to Section 5 and all other applicable parts of this Standard.

5.2 Personnel and Burden Carrier Operators' Training

5.2.1 The user shall conduct an operators' training program.

5.2.2 Successful completion of the operators' training program shall be required by the user before operation of the carrier. The program shall be presented in its entirety to all new operators and not condensed for those claiming previous experience.

5.2.3 The user should include in the operators' training program the following:

- (a) instructional material provided by the manufacturer;
- (b) emphasis on safety of passengers, material loads, carrier operator, and other employees;
- (c) general safety rules contained within this Standard and the additional specific rules determined by the user in accordance with this Standard, and why they were formulated;
- (d) introduction of equipment, control locations and functions, and explanation of how they work when used properly and when used improperly; and surface conditions, grade, and other conditions of the environment in which the carrier is operated;
- (e) operational performance tests and evaluations during, and at completion of the program.

5.3 Personnel and Burden Carrier Operator Responsibility

5.3.1 Operators shall abide by the following safety rules and practices in paras. 5.4, 5.5, 5.6, and 5.7.

5.4 General

5.4.1 Safeguard the pedestrians at all times. Do not drive carrier in a manner that would endanger anyone.

5.4.2 Riding on the carrier by persons other than the operator is authorized only on personnel seat(s) provided by the manufacturer. All parts of the body shall remain within the plan view outline of the carrier.

5.4.3 When a carrier is to be left unattended, stop carrier, apply the parking brake, stop the engine or turn off power, turn off the control or ignition circuit, and remove the key if provided. Block the wheels if machine is on an incline.

OPERATING RESPONSIBILITIES continued
ANSI B56.8-1988

5.4.4 A carrier is considered unattended when the operator is 25 ft. (7.6 m) or more from the carrier which remains in his view, or whenever the operator leaves the carrier and it is not within his view. When the operator is dismounted and within 25 ft. (7.6 m) of the carrier still in his view, he still must have controls neutralized, and parking brake(s) set to prevent movement.

5.4.5 Maintain a safe distance from the edge of ramps and platforms.

5.4.6 Use only approved carriers in hazardous locations, as defined in the appropriate safety standards.

5.4.7 Report all accidents involving personnel, building structures, and equipment.

5.4.8 Operators shall not add to, or modify, the carrier.

5.4.9 Carriers shall not be parked or left unattended such that they block or obstruct fire aisles, access to stairways, or fire equipment.

5.5 Traveling

5.5.1 Observe all traffic regulations, including authorized plant speed limits. Under normal traffic conditions keep to the right. Maintain a safe distance, based on speed of travel, from the carrier or vehicle ahead; and keep the Personnel and Burden Carrier under control at all times.

5.5.2 Yield the right of way to pedestrians, ambulances, fire trucks, or other carriers or vehicles in emergency situations.

5.5.3 Do not pass another carrier or vehicle traveling in the same direction at intersections, blind spots, or at other dangerous locations.

5.5.4 Keep a clear view of the path of travel, observe other traffic and personnel, and maintain a safe clearance.

5.5.5 Slow down and sound the audible warning device at cross aisles and other locations where visibility is obstructed.

5.5.6 Ascend or descend grades slowly.

5.5.7 Avoid turning, if possible, and use extreme caution on grades, ramps, or inclines; normally travel straight up and down.

5.5.8 Under all travel conditions the carrier shall be operated at a speed that will permit it to be brought to a stop in a safe manner.

5.5.9 Make starts, stops, turns, or direction reversals in a smooth manner so as not to shift the load, endanger passengers, or overturn the carrier.

5.5.10 Do not indulge in dangerous activities, such as stunt driving or horseplay.

5.5.11 Slow down when approaching, or on, wet or slippery surfaces.

5.5.12 Do not drive carrier onto any elevator unless specifically authorized to do so. Approach elevators slowly, and then enter squarely after the elevator car is properly leveled. Once on the elevator, neutralize the controls, shut off power, and set brakes. It is advisable that all other personnel leave the elevator before a carrier is allowed to enter or leave.

OPERATING RESPONSIBILITIES continued
ANSI B56.8-1988

5.5.13 Avoid running over loose objects, potholes and bumps.

5.5.14 To negotiate turns, reduce speed to improve stability, then turn hand steering wheel or tiller in a smooth sweeping motion.

5.6 Loading

5.6.1 Handle only stable and safely arranged loads. When handling off-center loads which cannot be centered, operate with extra caution.

5.6.2 Handle only loads within the capacity of the carrier as specified on the nameplate.

5.6.3 Handle loads exceeding the dimensions used to establish carrier capacity with extra caution. Stability and maneuverability may be adversely affected.

5.7 Operator Care of Personnel and Burden Carriers

5.7.1 At the beginning of each shift during which the carrier will be used, the operator shall check the carrier condition and inspect the tires, warning devices, lights, battery, controller, brakes, and steering mechanism. If the carrier is found to be in need of repair, or in any way unsafe, or contributes to an unsafe condition, the matter shall be reported immediately to the designated authority, and the carrier shall not be operated until it has been restored to safe operating condition.

5.7.2 If, during operating the carrier becomes unsafe in any way, the matter shall be reported immediately to the designated authority, and carrier shall not be operated until it has been restored to safe operating condition.

5.7.3 Do not make repairs or adjustments unless specifically authorized to do so.

5.7.4 The engine shall be stopped and the operator shall leave the carrier while refueling.

5.7.5 Spillage of oil or fuel shall be carefully and completely absorbed or evaporated and fuel tank cap replaced before starting engine.

5.7.6 Do not operate a carrier with a leak in the fuel system or battery(s).

5.7.7 Do not use open flames for checking electrolyte level in storage batteries or liquid level in fuel tanks.

6 MAINTENANCE PRACTICES

6.1 Introduction

6.1.1 Carriers may become hazardous if maintenance is neglected. Therefore, maintenance facilities, trained personnel, and procedures shall be provided. Such facilities may be on or off the premises.

OPERATING RESPONSIBILITIES continued
ANSI B56.8-1988

6.2 Maintenance Procedures

6.2.1 Maintenance and inspection of all carriers shall be performed in conformance with the manufacture's recommendations and th following practices.

(a) A scheduled preventive maintenance, lubrication, and inspection system shall be followed.

(b) Only qualified and authorized personnel shall be permitted to maintain, repair, adjust, and inspect carriers.

(c) Before undertaking maintenance or repair, follow the manufacturer's recommendations for immobilizing the carrier.

(d) Block chassis before working under it.

(e) Before disconnecting any part of the engine fuel system of a gasoline or diesel powered carrier with gravity feed fuel systems, be sure shutoff valve is closed, and run engine until fuel system is depleted and engine stops running.

(f) Before disconnecting any part of the fuel system of LP gas powered carriers, close the LP gas cylinder valve and run the engine until fuel in the system is depleted and the engine stops running.

(g) Operation to check performance of the Personnel and Burden Carrier shall be conducted in an authorized area where safe clearance exists.

6.2 Maintenance Procedures continued

(h) Before starting to operate the carrier, follow the manufacturer's instructions and recommended procedures.

(i) Avoid fire hazards and have fire protection equipment present in the work area. Do not use an open flame to check level or leakage of fuel, battery electrolyte, or coolant. Do not use open pans of fuel or flammable cleaning fluids for cleaning parts.

(j) Properly ventilate the work area.

(k) Handle LP gas cylinders with care. Physical damage, such as dents, scrapes, or gouges, may dangerously weaken the tank and make it unsafe for use.

(l) Brakes, steering mechanisms, speed and directional control mechanisms, warning devices, lights, governors, guards, and safety devices shall be inspected regularly and maintained in a safe operating condition.

(m) Special carriers or devices designed and approved for hazardous areas operation shall be inspected to ensure that maintenance preserves the original approved safe operating features.

(n) Fuel systems shall be checked for leaks and condition of parts. If a leak is found, action shall be taken to prevent the use of the carrier until the leak has been eliminated.

(o) The carrier manufacturer's capacity, operation and maintenance instruction plates, tags or decals shall be maintained in legible condition.

(p) Batteries, motors, speed and directional controllers, limit switches, protective devices, electrical conductors, and connections shall be inspected and maintained in conformance with manufacturer's recommended procedures.

(q) Carriers shall be kept in a clean condition to minimize fire hazards and facilitate detection of loose or defective parts.

(r) Modifications and additions which affect capacity and safe machine operation shall not be performed by the customer or user without manufacturer's prior written authorization; where authorized modifications have been made, the user shall ensure that capacity, operation, warning, and maintenance instruction plates, tags, or decals are changed accordingly.

(s) Care shall be taken to ensure that all replacement parts are interchangeable with the original parts and of a quality at least equal to that provided in the original equipment.

MAINTENANCE GUIDE CHECKLIST

This checklist is provided for your convenience as a guide for servicing your vehicle. If followed you will enjoy a good running and trouble free unit. It has been set up for normal use. More frequent service is recommended for extreme or heavy usage. If desired your Taylor-Dunn dealer will gladly perform these services for you as he has expert service men in the field for this purpose. Do not hesitate to call your Service Manager if any questions arise.

CAUTION: When performing maintenance on any part of the electrical system, disconnect battery leads, place forward/reverse switch in neutral, turn key to off position and remove from switch. Set parking brake.

MAINTENANCE SERVICE	REFER SECTION	EVERY MONTH	EVERY 3 MONTHS	EVERY YEAR
Check and fill batteries. If necessary fill with distilled water only.	19	X	X	X
* Apply lube to speed control sliding contact area with electrically nonconductive applicator. Use T-D grease 94-421-00 or a quality hi-temp grease with a 500 minimum drop point.	16, 5	X	X	X
NOTE: *Switch may require cleaning and lubrication more often than once a month depending on vehicle operation environment. See Section 16 for additional information.				
* Check rheostat adjustment	16	X	X	X
Check tire pressure	10	X	X	X
Adjust motor mount & Chain (Refer to chart Section 11)	11	X	X	X
Lubricate all zerk fittings	5	X	X	X
Lubricate all moving parts without zerk fittings. Use all purpose engine oil.	5	X	X	X
Wash off batteries with water. (Use soda if necessary).	19	X	X	X
* Check all wire connections. Be sure they are all clean and tight.	15,16,17	X	X	X
* Check service and adjust parking and manually operated brake.	11	X	X	X
* Check hydraulic brake system for leaks also check brake fluid level in master cylinder.	13	X	X	X
Check rear axle differential oil level (Refer to lubrication diagram).	11, 5	X	X	X
Check and adjust hand and foot operated brake system.	11	X	X	X

MAINTENANCE GUIDE CHECKLIST (continued)

MAINTENANCE SERVICE	REFER SECTION	EVERY MONTH	EVERY 3 MONTHS	EVERY YEAR
Check drive axle oil level. (Refer to lubrication diagram).	11, 5	X	X	X
Lubricate front wheel bearings (2 zerk fittings).	5		X	X
Clean surface between power bars of the speed control switch.	16, 5		X	X
Check motor brushes. Blow out carbon dust. (Replace if necessary).	11		X	X
Check brake lining for wear.	11		X	X
Drain differential and refill with SAE 30 oil (refer to lubrication diagram).	11, 5			X
Repack front wheel bearings. (Use wheel bearing grease).	10, 5			X
Lubricate steering gear box with grease.	5			X
Check and adjust front wheel bearings.	10		X	X

CAUTION: Never bend the brake band anchor bolt. Any bending of the bolt may result in Unexpected failure of the bolt and complete loss of drive line braking action.

* Items related to safety recommendations.

B 2-48 LUBRICATION DIAGRAM
FIGURE 1

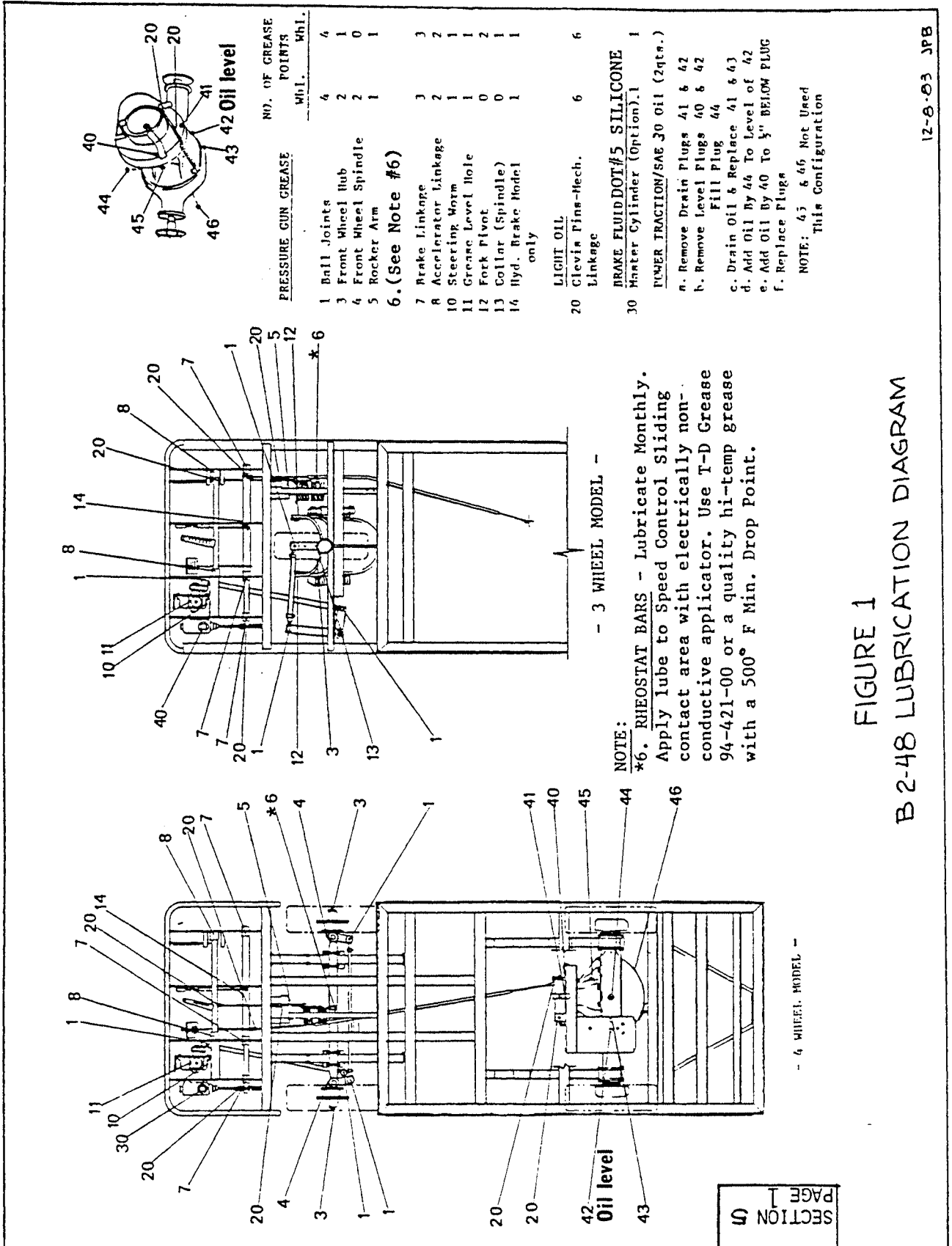


FIGURE 1
B 2-48 LUBRICATION DIAGRAM

12-8-63 JPB

TROUBLE SHOOTING PROCEDURES

<u>SYMPTOM</u>	<u>PROBABLE CAUSE</u>	<u>CORRECTIVE ACTION</u>
1. Steering:		
a. pull in one direction	1. Check for bent fork	Replace or straighten
b. hard steering	1. Bad or frozen bearing in fork spindle collar 2. Low tire pressure	Replace Inflate to recommended pressure
c. Sloppy or loose steering	1. Loose spindle bearing 2. Loose wheel bearing	Adjust Adjust
2. Brakes:		
a. Soft brakes	1. Check for worn lining 2. Alignment of brake shoes 3. Oil on brake lining 4. Dirt on brake lining 5. Bind in linkage 6. Weak spring 7. Air in hydraulic brake lines 8. Bad seals in brake cylinders	Adjust or replace when 1/16 or less of lining left Realign Find oil source and correct, wash brake band Clean Loosen or realign Replace Bleed brakes Replace
b. No brakes	1. Broken shoe 2. Broken connection in linkage 3. Broken Axle 4. Break in hydraulic line 5. Seal failure in brake cylinder	Replace Replace Replace Repair Replace
3. Drive Axle:		
a. No power	1. Discharged batteries 2. Check rheostat for contact 3. Check motor brushes for contact 4. Poor contact on forward-reverse switch 5. Check for loose wire 6. Check continuity through motor	Recharge or replace Adjust or replace bars Clean or replace Repair or replace Tighten or replace Repair or replace
b. Lack of power or slow operation	1. Dragging brake 2. Tight front wheel bearing 3. Rheostat not making contact on high speed bar 4. Loose connection in wiring 5. Partially burned out motor or thrown lead 6. Weak batteries 7. Bind or drag on differential	Re-adjust Re-adjust Re-adjust or replace bars Tighten Replace or resolder Repair

TROUBLE SHOOTING PROCEDURES (continued)

<u>SYMPTOM</u>	<u>PROBABLE CAUSE</u>	<u>CORRECTIVE ACTION</u>
c. Thump or grinding noise in drive axle	1. Motor bearing 2. Loose motor on base 3. Worn Sprockets 4. Defective bearing in differential 5. Defective gears in differential 6. Slack drive chain	Replace Tighten & adjust Replace Sprocket and chain Replace Replace Adjust, See Section 11
4. Rheostat:		
a. Jerky starting	1. Resistor coil burned open 2. Resistor shorted together 3. Poorly adjusted rheostat 4. Badly worn J-hook 5. Dirt between power bars causing shorts	Replace Spread apart Re-adjust Replace J-hook and bars Clean as necessary
b. Takes off in forward or reverse without accelerator depressed	1. Dirt shorting out neutral bar 2. Check rheostat adjustment 3. Short in wiring circuit 4. Burned forward/reverse switch	Clean, re-adjust, or replace bars Correct Correct Replace

B 2-48 WIRING DIAGRAM
FIGURE 2

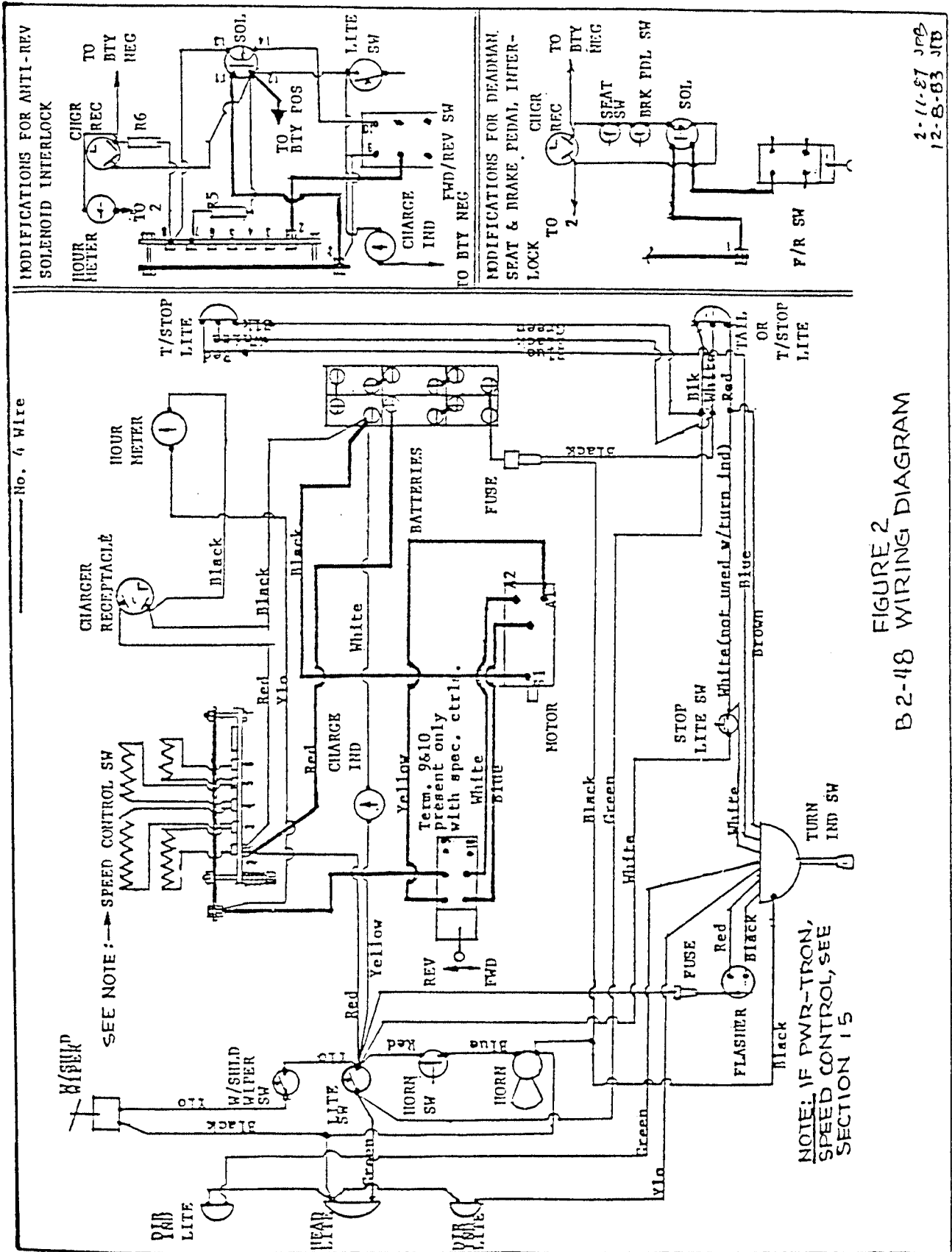


FIGURE 2
B 2-48 WIRING DIAGRAM

2-11-87 JFB
12-8-83 JFB

PARTS ORDERING PROCEDURE

Parts may be purchased from your local authorized Taylor-Dunn Dealer. When ordering parts, be sure to specify the complete model number and serial number of this unit. Also specify the full Taylor-Dunn number, description of part and quantity of parts required. You will find a complete listing of part numbers and descriptions in the following pages of this manual. When ordering parts for the drive motor, also include the specifications found on the motor name plate. Give complete shipping and billing address on all orders.

- 1 - Part Number - 86-501-98 - Ball Joint (Left Hand Thread)
- 1 - Part Number - 71-039-10 - Switch on/off, single pole,
single throw with seal.

Parts ordered under warranty must be placed with your authorized Taylor-Dunn Dealer. Be sure to include original invoice number, date of shipment of vehicle, and vehicle serial number.

NOTE: On contracts with National Federal Government Agencies, Defense General Supply Agency, and United States Post Office Department, orders for all warranty parts must be placed directly with the Taylor-Dunn Factory in Anaheim, California.

TAYLOR-DUNN MANUFACTURING COMPANY
2114 West Ball Road
Anaheim, California 92804

Phone: (714) 956-4040
FAX: (714) 535-8029

SUGGESTED SPARE PARTS LIST

T-D PART NO.	DESCRIPTION	QTY. 1-20 UNITS
11-040-00	Tube 5.70 x 8	1
11-041-00	Tube, 9.50 x 8 or 8.50 x 8 (optional)	1
13-742-00	Tire and Demountable Wheel, 5.70 x 8, 4 ply, Suber Rib Tire with 5-1/2" Holes on 4-1/2" Bolt Circle	1
13-746-10	Tire and demountable Wheel, 8.50 x 8, 4 Ply, Terra Tire Power Rib, 5-1/2" Holes on 4-1/2" Bolt Circle	1
13-742-12	Tire, and Demountable Wheel, 5.70 x 8, 6 Ply	1
13-745-00	Tire, Tube and Demountable Splitrim with 5.70 x 8, Ply Steelguard Tire, 5-1/2" Holes on 4-1/2" Bolt Circle	1
41-640-00	Brake Shoes (only with 7" Hydraulic Brakes)	2 sets
41-661-60	Brake Band for Drive Shaft Brake with Screw and Locknut	1
45-506-00	Oil Seal for G.E. Motor	1
-----	DC Electric Motor. See Section 12 for Part No. I.D. of Motor Supplied with Vehicle	
-----	Motor Brushes. See Section 12 for Part No. I.D. of Brushes Supplied with Vehicle	4
71-100-00	Switch, Light (single pole, single throw)	1
71-501-00	Horn Button	1
72-022-00	Light, Stop & Tail 4" Rubber Mount (12 Volt)	1
72-072-00	Headlight, Sealed Beam Bulb 4" (12 volt)	1
72-008-00	Headlight, Sealed Beam Bulb 5-1/4" (12 volt) Optional	1
73-004-00	Horn (12 volt)	1
75-231-00	Battery Jumper #6 Wire, 10-1/4" Long	5
76-013-00	Charging receptacle 30 amp, 3 Prong	3
77-200-00	Hydrometer	2
77-201-00	Battery Filler	1
78-010-00	Secondary Fuse and Holder, inline type	2
79-823-00	Fuse, Buss Type, 20 amp	3
85-060-00	Spring, Compression 5/8" O.D. x 2-1/2" Long Brake Band	2
85-233-00	Spring Extension, 11/16" O.D. x 6-1/4", Accelerator Return	4
85-270-00	Spring Extension 1-1/4" O.D. x 4-3/8", Brake Return	4
85-250-00	Spring Extension 1-1/16" O.D. x 3-5/8", Brake Pedal Return	4
71-040-00	Switch, Forward/Reverse, 4 Finger	1
71-040-60	Switch Finger - Silver Plated with 1/4" Hole	4
71-040-71	Bolt, Finger Mounting, 1/4 NF x 7/8"	4
71-040-62	Switch Handle, Metal, Red Color	1
71-040-54	Spring, Cam	1
71-040-52	Rotor Assembly	1
61-834-00	Insulating board for J-Hook	1
61-836-00	Pressure Bar	1
61-831-00	Power Bar	4
85-034-00	Spring, Compression 7/16" O.D. x 2" Long	1
78-212-51	Resistor Coil #9 Wire, 10 Turns (used between 1st and 2nd speed)	1
78-212-52	Resistor coil #6 wire, 9 Turns (used between 2nd and 3rd speed, all rheostats and 3rd and 4th speed on 5 speed rheostats)	2
78-212-53	Resistor Coil #5 Wire, 6 Turns (used between last speeds on 4 and 5 bar rheostats)	1
78-302-00	Resistor, 10 OHM, 50 Watt. Used With Solenoid Interlock Option	2

MAINTENANCE PROCEDURES
FRONT AXLE, FORK, STEERING AND TIRES
REFER TO FIGURE 3

Your front wheel assembly consists of a ruggedly designed fork mounted with 2 Timken Roller Bearings. Two heavy coil springs and an automotive type shock absorber produce a comfortable ride. With proper care, these parts should give long service.

If by chance the front wheel should be submerged for any length of time in mud or water, it is recommended that you remove, wash and clean the axle assembly. Clean all parts, especially bearings, in a suitable cleaning solvent, reassemble and repack with wheel bearing grease. Follow the procedures outlined in the service and adjustment, Section 10 of this manual.

The normal life of the shock absorber unit is 2 years, based on average use of the vehicle.

The steering worm gear box and steering linkage is similar to those used on autos. It requires very little attention. Refer to Section 10 for disassemble and re-assemble procedures for the Steering Worm Assembly.

If service and adjustments are required, refer to appropriate section of this manual.

TIRE CARE:

Tire pressure is governed by how you want your vehicle to ride and the terrain to which it is most commonly used upon.

Slightly lower pressure will assist traction of soft terrain without undue wear.

The chart listed below will assist you to determine the correct tire pressure for your needs.

TIRE INFLATION CHART								
TIRE SIZE	TYPE	TIRE LOAD RATING EQUIVALENT		MAXIMUM (COLD)	5 MPH	10 MPH	15 MPH	
		LOAD RANGE	RATING	INFLATION P.S.I.	LOAD POUNDS			
4.80-8/400-8	HIGHWAY TREAD	A	2	35	640	505	470	
4.80-8/400-8	HIGHWAY TREAD	B	4	70	960	760	710	
4.80-8/400-8	STEELGUARD	C	6	100	1220	960	895	
5.70-8/500-8	HIGHWAY TREAD	B	4	60	1240	980	915	
5.70-8/500-8	HIGHWAY TREAD	C	6	90	1520	1240	1160	
5.70-8/500-8	STEELGUARD	D	8	100	1860	1470	1370	
16 X 6.50 X 8	TERRA TIRE	B	4	28		620		
18 X 8.50 X 8	TERRA TIRE	B	4	22		815		
18 X 9.50 X 8	TERRA TIRE	B	4	24		1040		

THE INFLATION AND LOAD RATINGS MOLDED ON HIGHWAY TREAD TIRES, PER FEDERAL STANDARD FMVSS-119, ARE FOR MAXIMUM HIGHWAY SPEED AND DO NOT APPLY TO THIS LOW SPEED VEHICLE.

- TAYLOR-DUNN MANUFACTURING COMPANY -

CAUTION: Do not over-inflate tires as this will promote increased wear. Under inflation especially on hard surfaces also promotes undue wear and should be avoided.

MAINTENANCE PROCEDURES (continued)
FRONT AXLE, FORK, STEERING AND TIRES
REFER TO FIGURE 3

Removal of tire wheel and axle assembly:

1. Remove 1 axle nut by holding nut on one end of axle and unscrewing nut on opposite end.
2. Slide axle from fork and wheel, being careful to catch spacers and wheel as they come free.
3. Tire may be changed or repaired without removing wheel from hub. To change wheel remove 5 lug nuts thereby releasing wheel from hub assembly.
4. Wheel bearings may be flushed, cleaned and repacked without removing from hub, unless, severely damaged or embedded with foreign material.
5. To remove wheel bearings and seals:
 - A. Pull seals from hub.
 - B. Remove taper roller bearings.
 - C. If necessary, press bearing races from hub with suitable press or with flat punch by hitting back and forth one side to other.

Re-assembly and adjustments:

1. Press bearing races into hub with suitable press, taking care that they are seated against stops within the hub.
2. Generously lubricate wheel bearings with wheel bearing grease and insert into bearing races.
3. Press or tap seals into place, (proper position is when face of seal is flush with end of hub). NOTE: It is recommended that new seals be installed whenever bearings are removed from wheel hub, or whenever seals are worn or damaged. Worn or damaged seals allow dirt and foreign matter to enter wheel bearings, shortening bearing life.
4. Install wheel & hub assembly into fork by starting axle through one side of fork, inserting 1 spacer then sliding axle through wheel bearings. Insert other spacer and slide axle through remainder of fork assembly.
5. Install locknut.
6. Adjust wheel bearings by holding 1 axle nut and tightening the other until a drag is felt on wheel. Then back off nut approximately 1/4 turn. Wheel should turn free but not have excess play in bearings.
7. Wheel hub has 1 zerk fitting for grease lubrication.

Dis-assembly of fork spindle:

1. Remove front seat cushions.
2. Remove 2 screws holding center control console.
3. Slide console far enough over to expose fork spindle.
4. Remove dust cap.
5. Remove cotter pin & nut on ball joint.
6. Rap ball joint stud sharply with soft hammer or use soft block and regular hammer to loosen tapered stud from steering arm.
7. Remove lock nut on spindle end.
8. Slide fork and spindle out of housing.
9. Remove bearings and dust seals.
10. A puller is required to remove bearing races from housing.

Re-assembly and Adjustments:

1. Bearing races may be pressed into position by using 1/2" x 6" bolt. Place a disc or bar of suitable size over bolt then 1 bearing race, pass this assembly through housing. Place other bearing race, a suitable disc or bar and then the nut. Tightening the nut and bolt will draw the 2 bearing races into position without damage.

MAINTENANCE PROCEDURES (continued)
FRONT AXLE, FORK, STEERING AND TIRES
REFER TO FIGURE 3

2. Generously pack bearings with wheel bearing grease. Assemble 1 dust seal and bearing on spindle in reverse order of removal. Refer to figure 3 for proper location. Slide fork spindle through housing and insert upper bearing and washer.
 3. Install spindle nut.
 4. Adjust by tightening nut until drag is felt on spindle bearings. Loosen about 1/4 turn or until spindle rotates free does not have play in bearings. NOTE: Any excessive play in spindle bearings can lead to bearing failure due to shock effect when vehicle encounters bumps or uneven terrain.
 5. Replace ball joint and nut. Tighten securely and replace cotter pin.
 6. Replace dust cap on fork spindle.
 7. Replace control console.
 8. Replace seat cushions.
- NOTE: There is 1 zerk fitting located on the fork spindle bearing housing which requires lubrication every 3 months. Refer to Maintenance Guide and Lubrication Diagram Sections 4 and 5.

STEERING WORM GEAR BOX AND STEERING LINKAGE (3 WHEEL MODEL)

Replace Ball Joint:

1. Remove Cotter pin and nut.
2. Loosen Sleeve clamp.
3. Rap ball joint stud sharply with soft hammer or soft block and regular hammer to loosen tapered stud from steering arm.
4. Either measure position of ball joint or count number of threads exposed from sleeve. Remove ball joint by unscrewing from sleeve. Note that 1 end will be left hand thread and the opposite ball joint will be right hand thread.
5. Install new ball joint and position same as the one removed.
6. Install tapered stud in steering arm.
7. Replace nut, tighten securely and replace cotter pin.
8. Check travel of steering linkage to be sure it has not been affected by the new ball joint not being correctly positioned. Steering wheel should be in central position when wheel is in straight ahead position. Correct any misalignment by loosening both clamps and turning sleeve.
9. Tighten sleeve clamps securely.
10. Lubricate zerk fitting on new ball joint with appropriate grease. Refer to Lubrication Chart.

Replacement of steering worm:

1. Pry steering wheel cap up to expose locknuts holding horn button in place.
2. Remove 2 horn button screws.
3. Remove wiring from horn button and slide out of steering tube through bottom.
4. Remove lock nut and with suitable puller remove steering wheel.
5. Remove steering support cover.
6. Mark position of steering arm and remove from worm shaft.
7. Remove lock nut holding steering lever on shaft.
8. Remove 3 steering worm holding bolts and slide steering worm assembly from bottom of vehicle.
9. If installing new steering worm it is important to place the steering lever in the same relative position on the new unit as it was on the old unit. Failure to do this will result in a misalignment of the Transfer linkage and limitation of steering in one direction.
10. Install steering worm in the reverse manner to which it was removed, outlined in steps 1 to 8.

MAINTENANCE PROCEDURES (continued)
STEERING WORM GEAR BOX AND STEERING LINKAGE
(3 WHEEL MODEL)
REFER TO FIGURE 3

11. When installing steering wheel, rotate the steering shaft until the front wheels are in a straight ahead position. Then place the steering wheel on the shaft aligning it in a central position.
12. Adjust any minor misalignment by loosening the steering link sleeve clamps and adjusting the steering link until the front wheel and steering wheel are both in position.
13. Check that you will be able to return the steering mechanism equally in both directions. If you cannot, it means the universal yoke was not properly installed and it will be necessary to separate universal, remove yoke and replace it in the proper position.
14. Lubricate steering worm through zerk fitting located on worm housing. Refer to Maintenance Guide and Lubrications Diagram Sections 4 and 5.

B 2-38 (3 WHEEL) FRONT FORK & STEERING
FIGURE 3

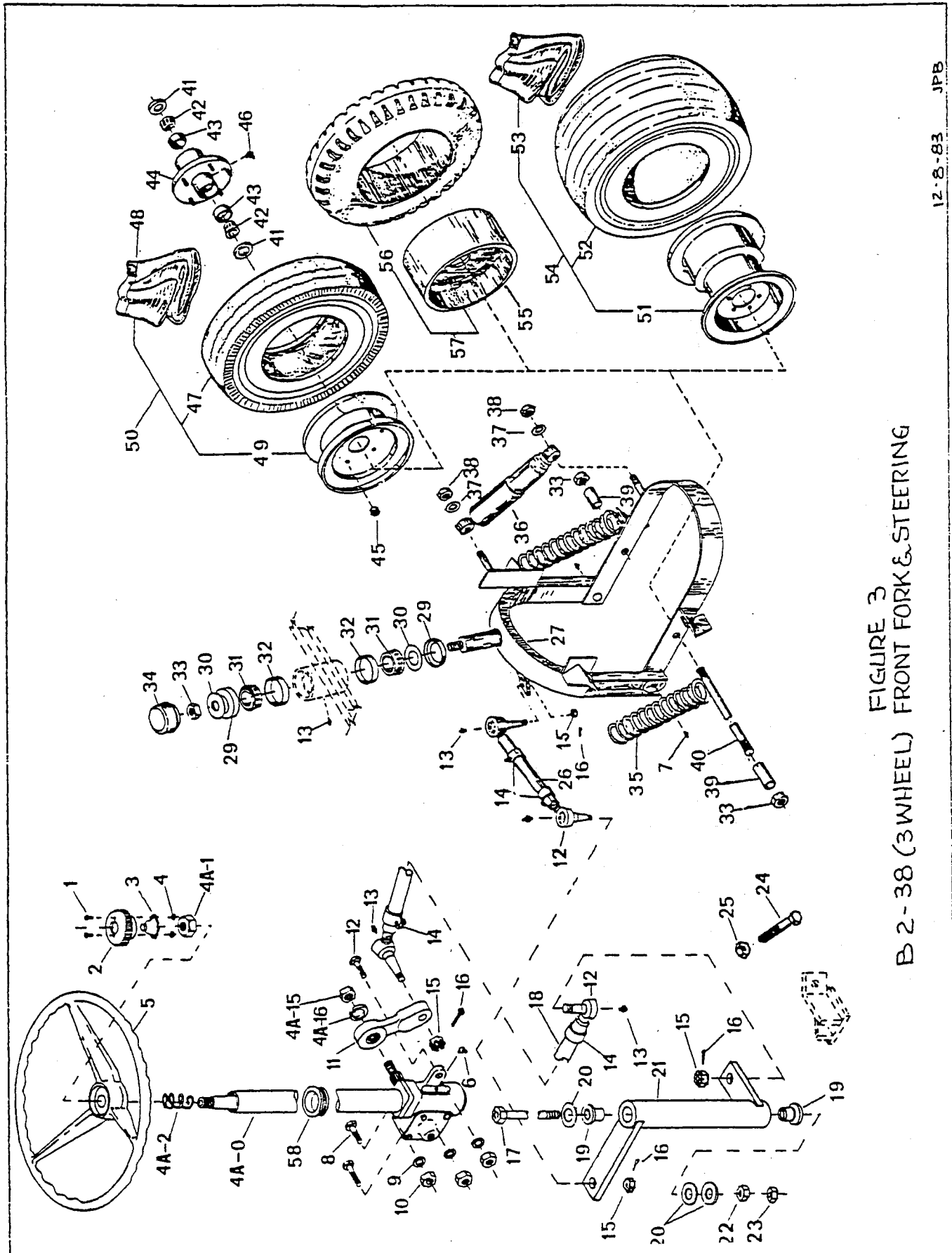


FIGURE 3
B 2-38 (3WHEEL) FRONT FORK & STEERING

3 WHEEL FRONT AXLE AND STEERING
REFER TO FIGURE 3

FIG. I.D. NO.	T-D PART NO.	DESCRIPTION	QTY. REQ.
3-1	88-025-08	8-32 x 5/8" Truss Head Machine Screw	2
3-2	19-004-20	Cap - With Horn Button Hole (Steering Wheel)	1
3-3	71-501-00	Horn Button (standard)	1
3-4	88-029-80	Lock Nut 8-32 (Hex)	2
3-5	19-003-20	Steering Wheel	1
3-6	87-073-00	Grease Fitting - 3/16 Drive, 45 Degree	1
3-7	87-071-00	Grease Fitting (3/16" Drive Type - Straight)	2
3-8	88-130-14	7/16 - 20 x 1-1/2 NF Hex Head Cap Screw	3
3-9	88-128-60	Washer 7/16" Flat	3
3-10	88-130-86	7/16 NF Hex Locknut	3
3-11	18-104-00	Steering Lever	1
3-12	86-501-98	Ball Joint (Left Hand Thread)	2
3-12	86-501-99	Ball Joint (Right Hand Thread)	2
3-13	87-074-00	Grease Fitting 1/4"-28 Thd. (Straight)	3
3-14	86-510-00	Ball Joint Clamp	4
3-15	88-159-85	Castle Nut 1/2" NF (Hex)	4
3-16	88-527-11	Cotter Pin 1/8" x 1"	4
3-17	50-034-00	Idler Arm	1
3-18	18-057-10	Sleeve Assembly Steering Adjustment with ball Joints & Clamps - (27" with Bend)	1
3-18	18-057-11	Sleeve, Steering Adjustment, 27" with Bend	1
3-19	32-215-00	Bushing, Plastic 1/2" ID x 11/16" OD	2
3-20	88-148-61	1/2" SAE Washer	3
3-21	18-084-50	Idler Arm Weldment	1
3-22	88-149-80	1/2" NC Hex Head Nut	1
3-23	88-149-81	1/2" NC Locknut	1
3-24	88-151-16	1/2" x 2" NF Hardened Hex Head Cap Screw	1
3-25	88-159-82	1/2" NF Jam Nut	1
3-26	18-035-00	Steering Adjustment Sleeve (11" Long)	1
3-26	18-035-10	Steering Adjustment Sleeve Assembly, with Ball Joints and Clamps (13-13/16" Long)	1
3-27	14-024-10	Front Form Assembly (Less Springs)	1
3-29	45-307-00	Dust Seal	2
3-30	88-228-60	Washer - 3/4" Flat	1
3-31	80-011-00	1-1/4" Tapered Roller Bearing	2
3-32	80-102-00	Tapered Bearing Race for 1-1/4" Bearing	2
3-33	88-229-81	Lock Nut - 3/4" N.C. (Hex)	1
3-34	92-105-00	Dust Cap for 1-1/4" Bearing	1
3-35	85-150-00	Spring Compression 2-1/2" OD x 9-3/8"	2
3-36	86-000-00	Shock Absorber	1
3-37	88-188-60	Washer 5/8" Flat	2
3-38	88-189-81	Lock Nut 5/8" N.C. (Hex)	2
3-39	16-043-00	Wheel Spacer 3/4" I.D. x 3-1/8" Long	2
3-40	15-030-00	Front Axle 3/4" Dia. x 13" Long	1
3-41	45-308-00	Oil Seal (Front Wheel)	2
3-42	80-015-00	Tapered Roller Bearing 3/4" I.D.	2
3-43	80-105-00	Tapered Bearing Race for 3/4" I.D. Bearing	2
3-44	12-120-00	Wheel Hub	1
3-45	97-236-00	Lug Nut 1/2" Tapered	5
3-46	87-050-00	Grease Fitting 1/4 - 28 Thread 90 Degrees	1
3-47	10-081-00	Tubeless Tire - 5.70 x 8 -4 Ply - Super Rib	1
3-47	10-082-00	Tire - 5.70 x 8 - 4 Ply, Extra Grip, Tube Type	1
3-47	10-088-00	Tire - 5.70 x 8 - 8 Ply steel Guard	1
3-48	11-040-00	Tube - 5.70 x 8 (can be used with tubeless tire)	1
3-49	12-012-00	Wheel for 5.70 x 8 Tire (five 1/2 inch holes on 4-1/2" bolt circle)	1

3 WHEEL FRONT AXLE AND STEERING (continued)
REFER TO FIGURE 3

FIG. I.D. NO.	T-D PART NO.	DESCRIPTION	QTY. REQ.
3-49	12-042-00	Wheel, Split Disc, for 5.70 x 8 Steel Guard Tire (five 1/2 inch on 4-1/2 inch bolt circle)	1
3-50	13-742-00	Tire and Demountable Wheel - 5.70 x 8, 4 Ply, Super Rib Tire, (five 1/2 inch holes on 4-1/2 inch bolt circle)	1
3-50	13-744-00	Tire, Tube and Demountable Wheel 5.70 x 8, 4 Ply, Extra Grip Tire (five 1/2 inch holes on 4-1/2 inch bolt circle on wheel)	1
3-50	13-745-00	Tire, Tube and Demountable Wheel - 5.70 x 8, 8 Ply, Steelguard Tire (five 1/2 inch holes on 4-1/2 inch bolt circle on wheel)	1
3-51	12-020-00	Wheel for 8.50 x 8 or 9.50 x 8 Tire (five 1/2 inch holes on 4-1/2 inch bolt circle)	1
3-52	10-093-00	Tire, 8.50 x 8, 4 Ply, Terra Tire, Power Rib, Tubeless	1
3-53	11-041-00	Tube for 8.50 x 8 or 9.50 x 8 Tire	1
3-54	13-746-00	Tire and Demountable Wheel, 8.50 x 8, 4 Ply, Terra Tire, Power Rib (five 1/2 holes on 4-1/2 inch bolt circle)	1
3-55	12-050-00	Wheel, Cast Iron for 18 x 5 x 12-1/8 Solid Cushion Tire (five 1/2 inch holes on 4-1/2 inch bolt circle)	1
3-56	10-260-00	Tire - Solid Extra Cushion, All Service 18 x 5 x 12-1/8	1
3-57	13-955-10	Tire and Demountable Cast Iron Wheel 18 x 5 x 12-1/8 Solid Extra Cushion, All Service Tire (five 1/2 inch holes on 4-1/2 inch bolt circle on wheel)	1
3-58	98-602-00	Grommet, Rubber, 1-1/2" I.D.	1

MAINTENANCE PROCEDURES
REFER TO FIGURE 4
FRONT AXLE, STEERING AND TIRES (4 WHEEL MODEL)

Your front axle and wheel assembly consists of an axle mounted on 2 leaf springs with automotive spindles, steering worm, and steering linkage. It has been designed for rugged dependable service with little maintenance requirements, other than lubrication and an occasional check of all nuts and bolts for tightness. Your wheels revolve on Timken Roller Bearings and the spindles are mounted with heavy kingpins.

Zerk type grease fittings have been provided to ensure proper amounts of lubricant reaching wear points.

It is recommended that you follow the maintenance guide and lubrication diagrams for normal maintenance of the assembly. They are located in Section 10 of this manual.

The maintenance guide is set up for average use. If the vehicle is subject to long hours of running and heavy work loads the frequency of lubrication and service should be increased accordingly.

Refer to the service and adjustment section of this manual for guidance when performing major repairs and adjustments.

If your vehicle is equipped with 4 wheel hydraulic brakes or hydraulic discs refer to the service and adjustment section of this manual under Hydraulic Brake Section 13.

Refer to maintenance guide and lubrication diagrams (Sections 4 and 5) for normal care.

If service and adjustments are required, refer to appropriate section of this manual.

Tire Care:

Refer to Section 10, page 1.

Remove and Install Wheel Hub: Adjust Bearings

1. Remove wheel cover.
2. Remove dust cap.
3. Remove cotter pin and unscrew spindle nut.
4. Remove outer washer and bearing.
5. Remove wheel, tire, and hub assembly.
6. Before re-assembly, thoroughly clean the bearings, spindle and hub assembly. Inspect bearings for wear or damage. Examine inner seal. Replace damaged or worn parts.
7. Generously pack bearings with wheel bearing grease.
8. Reassemble in reverse order. Adjust wheel bearings before installing cotter pin.
9. Adjust wheel bearings by tightening spindle nut until bearing drag barely occurs, then back off spindle nut approximately 1/4 turn. Wheel should turn freely without noticeable bearing play.
10. Install cotter pin, dust cap and wheel cover.
11. Wheel hub has one zerk fitting for periodic lubrication of bearing without disassembling hub. Refer to Lubrication Chart in Section 5.

SERVICE AND ADJUSTMENT (continued)
REFER TO FIGURE 4
FRONT AXLE, STEERING AND TIRES (4 WHEEL MODEL)

Remove and Install Kingpins and Bushings:

1. Remove wheel and hub from spindle. See preceding subsection.
2. Remove ball joints from steering arms. Remove cotter pin and nut rap stud sharply with soft hammer, or soft block and regular hammer, to loosen tapered stud from steering arms.
- 2a. Disconnect drag link ball joint at Pitman Arm, remove cotter pin and nut, rap stud sharply with soft hammer, or soft block and regular hammer to loosen tapered stud from Pitman Arm.
3. Remove 7/8 lock nut which retains spindle and steering arm assembly to kingpin.
4. Remove kingpin from axle. If it is necessary to force the pin from the axle, use a soft rod, such as bronze or aluminum.
5. Remove spindle and steering arm assembly, and thrust bearing, from axle yoke.
6. Press bushings from spindle.
7. Thoroughly clean bushing housing and kingpin before installing new bushings.
8. Press bushing into sleeve. It may be necessary to ream the bushing after they are installed in the sleeve because of slight distortion which may occur during the process of pressing them into place. If proper press and reamer are not available, most automotive supply houses and repair shops have capacity to perform this service.
9. Reassemble in reverse order. Lightly oil kingpin and tap into place in axle. Where it is necessary to use force to assemble components, use a soft hammer or punch.
10. After reassembly, tighten ball joints securely. Lubricate bushings and kingpin through grease fitting. Adjust wheel bearings as describe in preceding subsection. Align front end as described in subsection titled "Align Front End: Adjust Toe-In".

Align Front End: Adjust Toe-In

1. Caster and camber are set at the factory and do not require adjustment. To adjust toe-in, raise front end of vehicle off the ground.
2. With a pencil, make a mark around center of tread of tire by holding pencil point against tire while turning wheel. Mark both front tires.
3. Lower vehicle to ground. Loosen tie-rod sleeve clamps at each end of tie-rod so that adjusting sleeve can be turned.
4. With wheels in straight forward direction, measure the distance between pencil lines at the front of the tires, and at the rear of the tires.
5. Adjust the tie-rod sleeve until the distance from mark to mark across the front of the tires is the same as the distance from mark to mark across the rear of the tires.
6. Tighten the adjusting sleeve clamp nuts securely, taking care to avoid changing the position of the adjusting sleeve.

Remove and Replace Ball Joint

1. Remove cotter pin and nut.
2. Loosen sleeve clamp.
3. Rap ball joint stud sharply with soft hammer or soft block and regular hammer to loosen tapered stud from steering arm.
4. Either measure position of ball joint or count number of threads exposed from sleeve. Remove ball joint by unscrewing from sleeve. Note that one end will be left hand thread and the opposite ball joint will be right hand thread.

SERVICE AND ADJUSTMENT (continued)
REFER TO FIGURE 4
FRONT AXLE, STEERING AND TIRES (4 WHEEL MODEL)

5. Install new ball joint and position same as the one removed.
6. Install tapered stud in steering arm or Pitman Arm.
7. Replace nut, tighten securely and replace cotter pin.
8. If ball joint replaced is part of the tie-rod, check toe-in and adjust if necessary as described in subsection titled "Align Front End".
9. If ball joint replaced is part of the linkage from Pitman arm to steering arm, check relative positions of steering wheel and road wheels. Steering wheel spoke should be in the six o'clock position when the road wheels are in the straight forward position. Adjust by rotating the adjusting sleeve until the desired relationship is obtained.
10. Tighten both sleeve clamps securely.
11. Lubricate ball joint through zerk fittings. Refer to Lubrication Chart in Section 5.

Remove and Replace Steering Worm Assembly

1. Pry steering wheel cap up to expose locknuts holding horn button in place.
2. Remove 2 horn button screws.
3. Remove wiring from horn button and slide out of steering tube through bottom.
4. Remove lock nut and with suitable puller, remove steering wheel.
5. Align steering lever and drag link grease fitting up with the hole in support place under floor board.
6. Remove Cotter Pin and Castle Nut on drag link. Remove drag link.
7. Remove 7/8 nut and lock washer on steering lever and steering worm assembly. Remove steering lever.
8. Remove ten #8 x 1/2 hex head cap screws and nuts from steering worm steering worm assembly and steering gear support.
9. Remove three 7/16 hex head cap screws and nuts from steering worm assembly and steering gear support.
10. Pulling to the right and turning steering worm assembly clockwise pull steering worm assembly down and out of car.
11. Install steering worm in reverse to manner outlined in steps 1 to 8.
12. When installing steering wheel, rotate the steering shaft until the front wheels are aimed straight ahead. Install steering wheel in centered position.
13. Adjust minor misalignment. Loosen steering link sleeve clamps and adjust steering link until front wheel and steering wheel are both in position.
14. Check that you will be able to turn the steering mechanism equally in both directions. If you cannot, it means the steering arm was not properly installed and it will be necessary to remove the arm and replace it in the proper position.
15. Lubricate steering worm through zerk fitting located on worm housing. Refer to Lubrication Diagram and maintenance Guide Sections 4 and 5.

B 2-48 FRONT AXLE, STEERING AND BRAKES
FIGURE 4

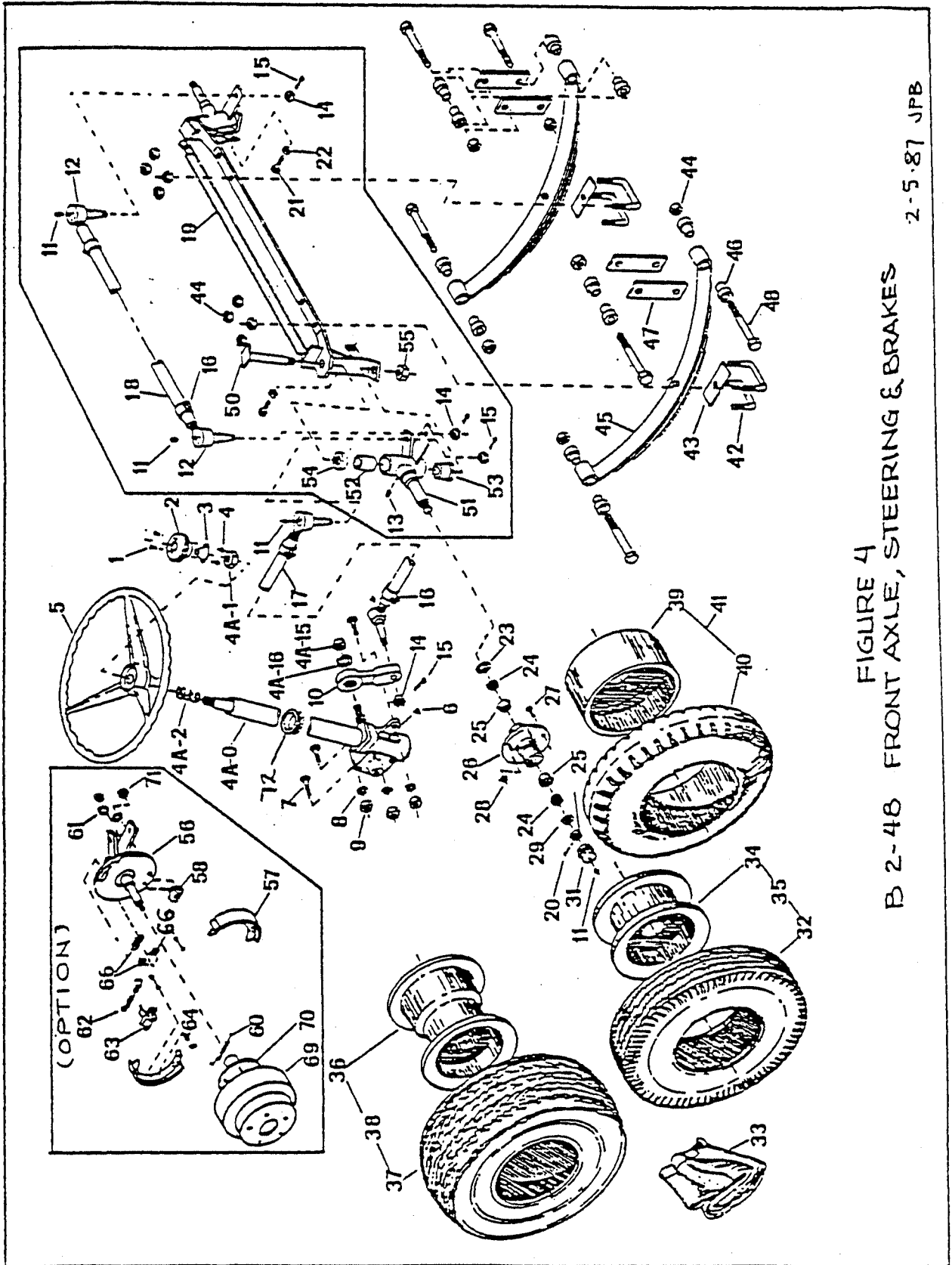


FIGURE 4
B 2-48 FRONT AXLE, STEERING & BRAKES

2-5-87 JPB

4 WHEEL FRONT AXLE AND STEERING
REFER TO FIGURE 4

FIG. I.D. NO.	T-D PART NO.	DESCRIPTION	QTY. REQ.
4-1	88-025-08	Truss Head Machine Screw 8-32 x 5/8"	2
4-2	19-004-20	Cap with Horn Button Hole (Steering Wheel)	1
4-3	71-501-00	Horn Button (standard)	1
4-4	88-029-80	Lock Nut 8-32 (Hex)	2
4-5	19-003-20	Steering Wheel	1
4A-0, 4A-1 4A-2, 4A-15 4A-16	NOTE:	REFER TO THIS SECTION, PAGE 15 DIAGRAM OF STEERING WORM ASSEMBLY AND PARTS LIST	
4-6	87-073-00	Grease Fitting, 3/16	2
4-7	88-130-14	7/16 X 1-1/2 NF Hex Head Screw	3
4-8	88-128-60	Washer 7/16" Flat	3
4-9	88-130-86	7/16" NF Fiber Insert Locknut	3
4-10	18-104-00	Steering Lever	1
4-11	87-074-00	Grease Fitting 1/4" - 28 Thd	6
4-12	86-501-98	Ball Joint (Left Hand Thread)	2
4-13	87-071-00	Grease Fitting 3/16" Drive Type	2
4-14	88-159-85	Castle Nut 1/2" NF (Hex)	4
4-15	88-527-11	Cotter Pin 1/8 x 1"	4
4-16	86-510-00	Ball Joint Clamp	4
4-17	18-057-10	Steering Adjustment Sleeve Assembly with Ball Joint & Clamps (13" Long)	1
4-18	18-041-00	Steering Adjustment Sleeve Assembly (22-1/2" Long)	1
4-18	18-041-10	Steering Adjustment Sleeve Assembly with Ball Joints & Clamps (22-1/2")	1
4-19	15-049-10	Assembly Front Axle, Spindles, Hubs Steering Stops & Tie Rod	1
4-19	15-049-12	Assembly, Front Axle for Hyd. Brakes with Spindles, Hubs, Steering Stops, Tie Rod and Brake Assemblies	1
4-20	88-527-14	Cotter Pin 1/8" x 1-1/2"	2
4-21	88-151-16	1/2 x 2 NF Hex Hd Screw, Grade 5	2
4-22	88-159-82	1/2 NF Jam Nut	2
4-23	45-338-00	Oil Seal	2
4-24	80-103-00	Tapered Roller Bearing 80-017-00	2
4-25	80-103-00	Tapered Bearing Race	4
4-26	12-124-00	Front Hub with Two Bearing Races, One Bearing and One Oil Seal - Five 1/2 NF Studs on 4-1/2" Bolt Circle (Not used with Front Brakes)	2
4-27	96-329-00	Lug Bolt 1/2" NF (96-333-00 - 7/16 NF Used on Earlier Models)	10
4-28	97-236-00	Lug Nut 1/2 NF (97-235-00 - 7/16 NF Used on Earlier Models)	10
4-29	88-228-60	Washer, 3/4	2
4-30	88-239-85	Castle Nut 3/4" NF (Hex)	2
4-31	92-104-00	Dust Cap with Grease Fitting	2
4-32	10-081-00	Tire - 5.70 x 8, 4 Ply, Super Rib Tubeless	2
4-32	10-082-00	Tire - 5.70 x 8, 4 Ply, Xtra Grip, Tube Type	2
4-32	10-088-00	Tire - 5.70 x 8, 8 Ply Steel Guard	2
4-33	11-040-00	Tube - 5.70 x 8, (Can be used with tubeless tire)	2
4-33	11-041-00	Tube - 18 x 8.50 x 8 or 18 x 9.50 x 8 (Optional for tubeless tire)	2
4-34	12-012-00	Wheel for 5.70 x 8 Tire (Five 1/2" Holes on 4-1/2" bolt circle - for tubeless or tube type tire)	2

4 WHEEL FRONT AXLE AND STEERING (continued)
REFER TO FIGURE 4

FIG. I.D. NO.	T-D PART NO.	DESCRIPTION	QTY. REQ.
4-34	12-042-00	Wheel, Split Disc, for 5.70 x 8 Steel Guard Tire (Five 1/2" holes on 4-1/2" Bolt Circle)	4
4-35	13-742-12	Tire Tube & Demountable Wheel 5.70 x 8, 6 Ply	2
4-35	13-742-13	Tire - Tubeless & Demountable Wheel, 5.70 x 8, Load Range C, Hwy. Tread, 5 Hole Pattern	2
4-35	13-742-00	Tire and Demountable Wheel, 5.70 x 8, 4 Ply Super Rib Tire (Five 1/2" holes on 4-1/2" bolt circle)	2
4-35	13-744-00	Tire, Tube and Demountable Wheel, 5.70 x 8, 4 Ply, Extra Grip Tire (Five 1/2" holes on 4-1/2" bolt circle)	2
4-35	13-745-00	Tire, Tube and Demountable Wheel 5.70 x 8, 8 Ply Steelguard Tire (Five 1/2" holes on 4-1/2" bolt circle on wheel)	2
4-36	12-020-00	Wheel for 18 x 8.50 x 8 x 9.50 x 8 Tire (Five 1/2" holes on 4-1/2" bolt circle)	2
4-37	10-093-00	Tire 18 x 8.50 x 8, 4 Ply, Terra Tire, Power Rib Tubeless	2
4-38	13-746-10	Tire and Demountable Wheel, 18 x 8.50 x 8, 4 Ply Terra Tire, Power Rib (Five 1/2" holes on 4-1/2" bolt circle)	2
4-39	12-050-00	Wheel for 18 x 5 x 12-1/8 Solid Cushion Tire (Five 1/2" holes on 4-1/2" Bolt Circle)	2
4-40	10-260-00	Tire-Solid Extra Cushion, All Service 18 x 5 12-1/8	2
4-41	13-955-10	Tire & Demountable Cast Iron Wheel, 18 x 5 x 12-1/8 Solid Extra Cushion. All Service Tire (Five 1/2" holes on 4-1/2" bolt circle on wheel)	2
4-42	96-120-00	"U" Bolt Front Axle with Four Leaf Spring	4
4-43	16-858-00	Spring Pad	2
4-44	88-149-81	Lock Nut 1/2" NC (Hex)	14
4-45	85-498-00	Leaf Spring Unit (26" centers - four leaf)	2
4-46	98-601-00	Grommet, Rubber	12
4-47	16-872-00	Shackle Strap	4
4-48	96-240-00	1/2 x 4 NC Hex Cap Screw (Pointed)	6
4-50	21-009-00	King Pin	2
4-51	14-099-98	Spindle Assembly, Including Bronze Bushings and Grease Fitting - Left Side	1
4-51	14-099-99	Spindle Assembly, Including Bronze Bushings and Grease fitting - Right Side	1
4-52	32-204-00	Bronze Bushing (Without flange)	2
4-53	32-200-00	Bronze Bushing (With flange)	2
4-54	80-309-00	Thrust Bearing	2
4-55	88-279-81	7/8 NF Hex Head Lock Nut	2
4-56	14-163-98	Front Spindle Assembly with Brake Mount - Left	1
4-56	14-163-99	Front Spindle Assembly with Brake Mount - Right	1
4-57	41-601-00	Brake Shoe and Lining Set (2 Lined Brake Shoes) Sets	2
4-58	42-051-00	Brake Adjustment Unit with 2 Studs	2
4-60	85-206-60	Kit, Extension Spring, 3/8 OD x 3-3/8 Long (black) Bottom	2
4-61	88-068-62	1/4" Lock Washer	4
4-62	85-205-00	Extension Spring - 5/16 OD x 4-1/2	2
4-63	99-501-00	Wheel Cylinder	2
4-64	85-070-00	Compression Spring, 3/4 OD x 1-1/8 Long	4

4 WHEEL FRONT AXLE AND STEERING (continued)
REFER TO FIGURE 4

FIG I.D. NO.	T-D PART NO.	DESCRIPTION	QTY. REQ.
4-66	42-048-62	Kit, Wheel Cylinder Retainers & Dust Cover	2
	42-048-00	Clip, (Wheel Cylinder) Flat Retainer	1
	42-049-00	Clip, (Wheel Cylinder) Curved Retainer	1
4-69	41-512-01	Drum	2
4-70	12-158-00	Wheel Hub (used only with front wheel brakes)	2
4-71	88-079-80	1/4 NF Hex Nut	4
4-72	98-602-00	Grommet, Rubber 1-1/2" ID	1

SERVICE AND ADJUSTMENT
REFER TO FIGURE 4A
STEERING WORM ASSEMBLY

DISASSEMBLE AND RE-ASSEMBLE STEERING WORM

1. Remove 4 bolts from cover and slide steering arm shaft assembly and cover from housing.
2. Mark position of steering column jacket tube clamp for proper reassembly.
3. Loosen steering column jacket tube clamp, and slide jacket tube off of housing and steering column shaft.
4. Remove 4 bolts from housing worm bearing cap and remove steering column worm and shaft assembly.
5. Clean all parts and flush out housing with suitable degreasing solvent. Lightly oil all parts for reassembly. NOTE: If installing new steering column shaft and worm assembly, worm bearing, or worm bearing cups, it will be necessary to check the worm bearing preload.
6. To check worm bearing preload, install the steering column worm and shaft assembly, bearings, bearing cups, bearing cap and original shims.
7. Tighten 4 bolts to 18-22 ft. lbs. torque.
8. Shaft and worm must not have any bearing looseness or "play" and should not rotate with less than 1-1/4" lbs torque nor require more than 4-1/2" lbs. or torque.
9. Add or take away shims as needed to produce the desired bearing preload.
10. Inspect steering arm shaft seal and cover gasket. Replace if worn or damaged.
11. Install steering arm shaft and cover assembly. Tighten four cover bolts to 18-22 ft. lbs. torque. NOTE: With steering arm shaft position at the center of its travel, there must be no backlash with mating worm and roller. Total preload for assembled unit must be no less than 5-3/4" lbs. torque measured at steering worm shaft not more than 11-1/4" lbs.
12. Adjust total preload to proper limits by loosening locknut on backlash adjusting screw located in cover and turn adjusting screw clockwise to increase preload and counterclockwise to decrease preload. Retighten locknut securely.
13. Replace steering column jacket tube and clamp in original position.

B 2-48 STEERING WORM ASSEMBLY
FIGURE 4A

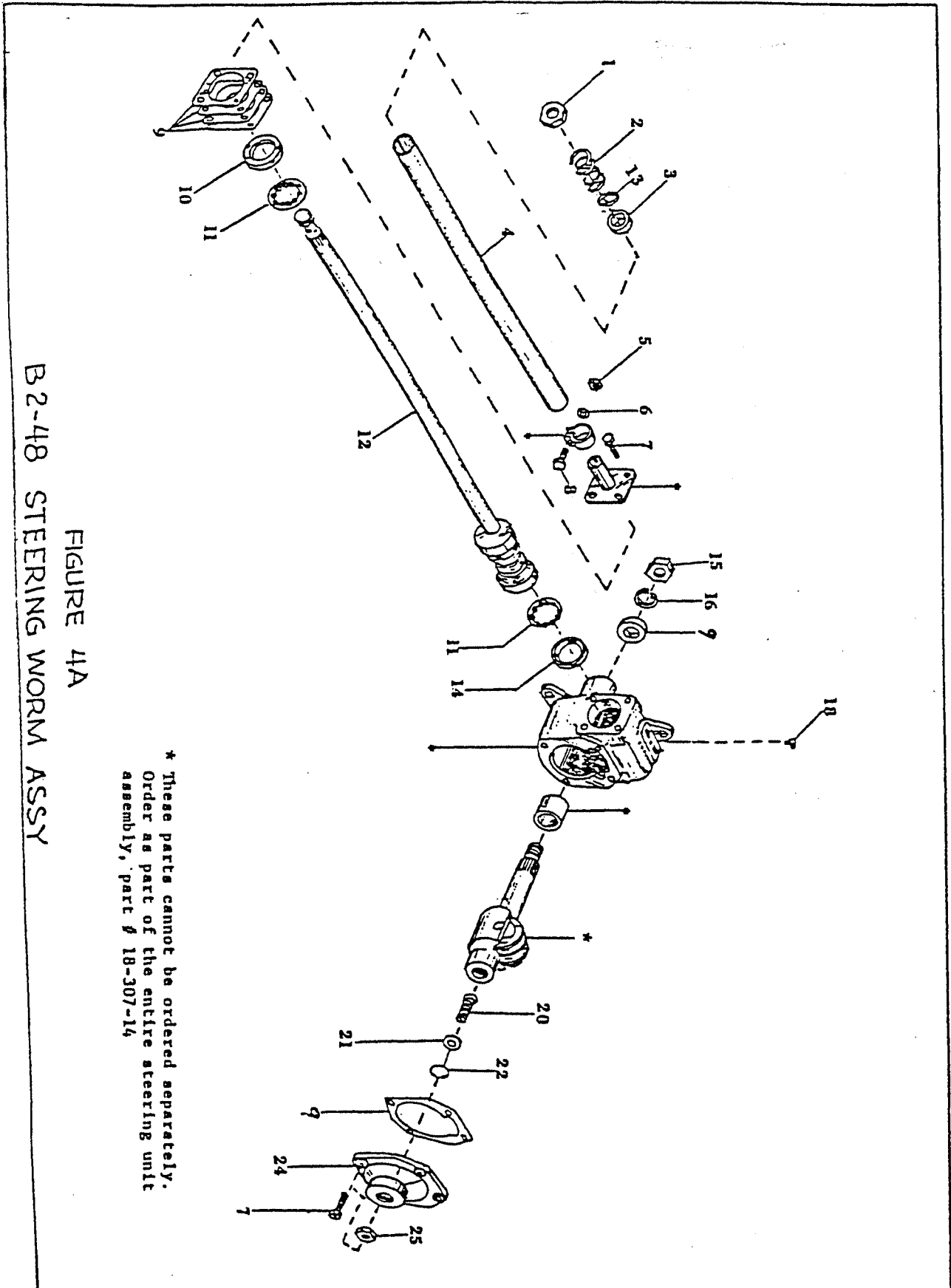


FIGURE 4A
B 2-48 STEERING WORM ASSY

* These parts cannot be ordered separately.
Order as part of the entire steering unit
assembly, part # 18-307-14

STEERING WORM ASSEMBLY
REFER TO FIGURE 4A

FIG. I.D. NO.	T-D PART NO.	DESCRIPTION	QTY. REQ.
4A-0	18-307-14	Steering Gear - this part number no longer valid - see BUL-98-09-011	-
4A-1	88-259-82	Nut, Jam 13/16 Hex Head NF	1
4A-2	85-122-00	Spring, Compression 1-1/8 OD x 1	1
4A-3	18-307-54	Spacer, Jacket Bearing	1
4A-4	18-307-52	Jacket, Steering Column	1
4A-5	88-099-80	Nut, 5/16 NF	1
4A-6	88-088-62	Washer, Lock	1
4A-7	88-080-09	5/16 x 3/4 NC Hex Hd Cap Screw	8
4A-8	88-080-18	5/16 x 2-1/2 NF Hex Hd Cap Screw	1
4A-9	18-307-42	Gasket, Seal & Shim Kit for Steering Worm	1
4A-10	18-307-57	Worm Adjustment Bearing Cup, Inner (Requires 18-307-42)	1
4A-11	18-307-53	Worm Bearing Assembly (Requires 18-307-42)	2
4A-12	18-307-51	Steering Column Shaft & Worm Assembly (Requires 18-307-42)	1
4A-13	18-307-55	Spacer, Jacket Bearing	1
4A-14	18-307-56	Worm Bearing Cup, Outer (Requires 18-307-42)	1
4A-15	88-279-82	Nut, Jam 7/8 NF Hex	1
4A-16	88-268-62	Lockwasher, 7/8	1
4A-17	18-307-59	Seal, Steering Arm Shaft	1
4A-18	87-073-00	Fitting, Grease 45 Degree, 3/16 Drive	1
4A-20	18-307-64	Screw, Adjusting	1
4A-21	18-307-65	Washer, Thrust	1
4A-22	18-307-66	Snap Ring	1
4A-24	18-307-67	Shaft Cover	1
4A-25	88-159-82	Nut, Jam 1/2" NF	1

MAINTENANCE PROCEDURES
REFER TO FIGURE 5
"POWER TRACTION" REAR AXLE, MOTOR AND BRAKES

Your "Power Traction" direct drive assembly is a highly efficient unit. Great care was taken in its design to promote long life with a minimum of maintenance. It employs an automotive type differential unit which operates within an enclosed housing. The gears, bearings, etc. are lubricated from within by oil which when maintained at its proper level ensures complete coverage of all moving parts. This oil level should be checked on a regular basis as outlined in the Maintenance Guide (Section 4) and Lubrication Diagrams (Section 5) of this manual. If the oil level is allowed to drop below normal limits serious damage to the differential and drive unit will result.

An adjustable motor mount has been provided to extend normal chain life. Refer to Section 11 for proper adjustment procedures. It is important to adhere to the adjustment schedule included on page 8. Failure to do so will seriously effect normal chain life.

The electric motor will provide many hours of trouble free service. It is provided with sealed ball bearings which are pre-lubricated for their lifetime. (Consult Section 12 for maintenance and parts listing)

Periodically, the motor brushed should be inspected and cleaned. The carbon dust and dirt should be blown out of the motor. When brushes are worn they should be replaced. Approximately 3000 hours operating life may be expected from a new set of brushes. To determine when to replace worn brushes, proceed as follows:

1. For motors equipped with brushes having end pigtails and side hooks, replace brush when hook is within 1/16" from bottom of hook slot.
2. For motors equipped with brushes having side pigtails only, replace brush when pigtail is within 1/16" from bottom of pigtail slot.

NOTE: When one brush is replaced in a motor, it is considered good maintenance practice to replace all brushes.

Inspect commutator for roughness or undue wear as arcing and shortened brush life will result from this condition.

Check wiring terminals for cleanliness and tightness. A loose connection will cause burning of the respective terminal and can induce motor failure.

Refer to Maintenance Guide, Section 4 and Service and Adjustment, Section 11 for further recommendations on motor care.

The mechanical brake assembly located on the differential pinion shaft will require a periodic inspection for lining wear and consequently periodic adjustment. Refer to Service and Adjustment, Section 11 of this manual for proper procedures.

A few drops of oil on the clevis pin and pivot pins of the mechanical linkage is recommended on a monthly basis. Great care must be taken that no oil is allowed to contact the brake band or drum as it will seriously impair the braking ability. If the braking surfaces become oily or contaminated for any reason it will be necessary to remove the brake band and clean all parts thoroughly. Refer to the appropriate section of this manual for the correct procedure to follow.

If your vehicle is equipped with hydraulic brakes refer to Section 13 for their care and adjustment.

MAINTENANCE PROCEDURES (continued)
REFER TO FIGURE 5

A periodic tightening of all bolts and nuts, especially the spring mounting "U" bolts should be made.

The normal life of the shock absorber unit is approximately 2 years.

SERVICE AND ADJUSTMENTS

Adjustment of Brake (minor) to Compensate for Normal Lining Wear. Important Note.

Observe position of Brake Lever Arm. It must be 1/16" to 1/4" from Gear Case Cover with brake pedal and hand brake fully released.

If brake lever arm is not in the correct position, due to improperly adjusted cables or brake rods, then it will be necessary to perform a complete major brake adjustment as itemized under next section "Adjustment of Brakes (Complete)".

NOTE: If brake lever arm is in the correct position as described above, it will not be necessary to touch cable or rod adjustments.

1. Adjust brake band anchor bolt and nut, tightening it until brake pedal travels approximately half way to floorboard engaging brake sufficiently to stop vehicle. Vehicles equipped with automatic (deadman) brake requires the treadle to operate the braking action within the last 1/4 of its stroke.
2. Adjust centering screws, centering band around drum to bring band as close to drum as possible without brake dragging. Lock centering screw. If band is too far from brake drum, brakes will grab in the forward direction.

CAUTION: Never bend the band anchor bolt. Any bending of the bolt may result in unexpected failure of the bolt and complete loss of Drive Line braking Action.

Adjustment of Brake (Complete Except for Automatic 'Deadman' Brake) Refer to Section 14.

1. Loosen clevis and locknut on foot brake, cable (or rod) and adjust length to position brake lever arm 1/16" to 1/4" from gear case cover as described above. It may be necessary on vehicles equipped with other control cables such as handbrake cables to disconnect them so they will not interfere with this first important adjustment.
2. Adjust brake band as outlined in steps 1 and 2 and CAUTION note above.
3. Adjust hand parking brake lever knob on end of handle, turning counterclockwise until it stops. Place lever in locked position. Then loosen clevis locknut on cable or rod on underside of parking brake lever and adjust cable or rod (by shortening) until brake band engages drum properly. Lock clevis nut.

NOTE: Brake band and brake cable must be adjusted first as outlined above.

MAINTENANCE PROCEDURES (continued)
SERVICE AND ADJUSTMENTS

4. Try completely releasing hand lever to be certain brake band is completely released. Additional brake holding power can be applied by turning knob on end of handle in clockwise direction.

NOTE: Turning knob in clockwise direction increases travel of brake cable but decreases leverage of brake lever. Therefore, if it is adjusted too far clockwise the lever will be difficult to operate. You compensate for this condition by shortening hand brake rod as outlined above. Caution: If you shorten rod too far, you will not allow the brake band to completely release. Obviously the ideal condition is midway between the two extremes described above.

5. If vehicle is equipped with hydraulic wheel brakes, refer to Section 13 for service and Adjustment.
6. If vehicle is equipped with brake-accelerator lock, refer to Section 14 for Service and Adjustment.
7. If vehicle is equipped with Automatic (deadman) Brake, refer to Section 14 for Service and Adjustment.

Removal of Brake Assembly and Drum

1. Remove cotter pin and clevis pin, disconnecting cable from brake lever arm, (note location of clevis). Remove lever arm return spring.
2. Remove 4 bolts holding brake mounting assembly and slide assembly off drum.
3. Band and drum may now be cleaned, inspected and if necessary parts may be replaced as needed.
4. Brake band lining is bonded to the band for long dependable service. When it wears to approximately 1/16 thickness the band should be replaced.
5. If the brake drum is glazed or scored, it should be removed and turned. It is recommended that a brake drum that has been severely scored, damaged or less than 5.850 diameter should be replaced with a new drum.
6. Inspect seal in gear case cover. If worn or damaged, replace with new one. It is recommended that new seal be pre-soaked in light oil for several hours before installation. Use small amount of oil resistant sealer on seal opening in cover when pressing seal into place.
7. Re-assemble drum and spacer (see item 18, section 4, page 7) on pinion shaft.
8. Replace brake assembly in the reverse order to which it was removed.
9. Adjust brake band and cables as outlined on page 2.

Removal of "Power Traction" rear Axle and Drive Assembly From Chassis

1. CAUTION: Disconnect both main battery leads to prevent accidental engagement of power while servicing unit.
2. Clearly mark motor leads to ensure their proper location when re-assembling
3. Remove motor leads.
4. Pull clevis pin and disconnect brake cable from brake arm.

SERVICE AND ADJUSTMENT (continued)

Removal of "Power Traction" Rear Axle & Drive Assembly From Chassis

5. Remove lower bolt from shock absorber. (Only vehicles equipped with shock absorbers).
6. Disconnect hydraulic brake line at hose end. (Only vehicles equipped with hydraulic brake).

NOTE: Steps 7 and 8 refer to vehicles with spring suspension.

7. Remove "U" bolt clamp and nuts attaching spring to frame.
8. Remove spring eye anchor bolts.
9. Remove 4 bolts attaching power traction assembly to frame (Only on unsprung type vehicles).
10. Remove Axle and drive assembly from chassis.
11. Install axle and drive assembly in the reverse order of removal, taking care that support pads and rubber bushings are in good condition. Replace if worn or damaged).
12. Check brake adjustments as previously outlined on page 3.
13. On models equipped with hydraulic brakes, it will be necessary to bleed the air from brake system. Follow procedure outlined in Hydraulic Brake Section 13 of this manual.

Disassembly of "Power Traction" Rear Axle

1. Remove unit from chassis. (as previously outlined)
2. Remove wheels and drain oil from housing.
3. Lock drive shaft brake by pulling brake lever. Remove pinion nut and pull off brake drum.
4. Remove four bolts and spring and lift off brake assembly.
5. Remove remaining nuts and bolts, and remove drive case cover.
6. Remove 3 nuts and washers and remove motor and mount plate. (If motor requires further service, refer to Section 11 of this manual).
7. Remove chain and pinion sprocket. Observe location of spacers on shaft. Refer to Figure 5 for their correct location.
8. Remove five bolts holding back plate and remove from carrier housing.
9. On hydraulic brake models, remove brake drums, disconnect hydraulic line, remove brake shoe return springs (orange color) and remove wheel cylinders.
10. Remove four bolts on each end holding axle retainer (and brake backing plate on hydraulic brake models) and pull both axles.
11. Remove nuts around differential carrier housing and remove carrier from axle housing. (Note position of clip for proper re-assembly of brake spring).

SERVICE AND ADJUSTMENT

Disassembly of "Power Traction" Rear Axle

12. Mark one differential bearing cap and bearing support to ensure proper assembly. Remove adjusting nut locks, bearing caps, and adjusting nuts.
13. Remove drive gear from differential case.
14. Drive out differential pinion shaft retainer and separate the differential pinion shaft and remove gears and thrust washers.
15. Remove drive pinion retainer from carrier. Remove O-ring from retainer.
16. Remove pinion locating shim. Measure shim thickness with micrometer.
17. If the drive pinion pilot bearing is to be replaced, drive the pilot end and bearing retainer out at the same time. When installing, drive the bearing in until it bottoms. Install a new retainer with the concave side up.
18. Press the pinion shaft out of front bearing cone and remove spacer.
19. Remove pinion bearing cone.
20. Do not remove pinion bearing cups from retainer unless they are worn or damaged. The flange and pilot are machined by locating on these cups after they are installed in the bores. If new cups are to be installed, make sure they are seated in the retainer by trying to insert a .0015" feeler gauge between cup and bottom of bore.

Re-Assembly of Power Traction Rear Axle

1. Differential Case: Place a side gear and thrust washer in the differential case bore. LUBRICATE ALL PARTS LIBERALLY WITH AXLE LUBRICANT DURING ASSEMBLY. With a soft hammer, drive pinion shaft into case only far enough to retain a pinion thrust washer and pinion gear. Place the second pinion and thrust washer in position. Drive the pinion shaft into place. Be careful to line up pinion shaft retainer holes. Place second side gear and thrust washer in position and install differential case cover. Install retainer. A pinion or axle shaft spline can be inserted inside gear spline to check for free rotation of differential gears. Insert two 7/16" x 2" bolts through differential flange and thread them three or four turns into the drive gear as a guide in aligning the drive gear bolt holes. Press or tap the drive gear into position. Install and tighten the drive gear bolts evenly and alternately across the gear to 60-65 lb ft. torque.
2. If the differential bearings have been removed, use a suitable press to install them.
3. Pinion and Retainer: Install pinion rear bearing cone on the pinion shaft. Install spacer with shims on shaft. Place the bearing retainer on the pinion shaft, and install the front bearing cone.
4. Lubricate both bearings with differential oil. Place spacers, sprocket and brake drum on spline with nut and washer and tighten to 100 lb. ft. torque.

NOTE: The bearing should spin free but have no play. If tight or loose, adjust with .005" and .019" shims.

MAINTENANCE PROCEDURES (continued)

Re-Assembly of Power Traction Rear Axle

5. Shim Selection: Manufacturing tolerances in the pinion bore dimensions and in the best operating position of the gears make an adjustment shim necessary. This shim is placed between the pinion retainer and the carrier, Figure 5. An increase in the thickness of the shim moves the pinion AWAY from the drive gear. Manufacturing objectives are to make axles requiring a .0015" shim and if a new assembly is being built, a .0015" shim should be used for a tentative build-up. Shims are available in .010" to .021" thicknesses in the steps of .001". Pinions and drive gears are marked, when matched, with the same number. Following the number on the pinion is a minus (-) or (+) followed by a number. If the pinion is marked "-1" it indicates that a shim .001" thinner than a standard shim for this carrier is required. A minus number means the pinion should be moved closer to the drive gear and a thinner shim is required. A plus number means the pinion should be moved farther from the drive gear and a thicker shim is required. A pinion marked zero (0) is a standard pinion. To select a shim, measure the original shim with a micrometer (note the dimensional mark on the original pinion). Compare the mark on the original pinion with the mark on the new pinion to determine how the original shim should be modified. For example, if the original shim is .015" and the original pinion is marked "-1", the new pinion requires a +1 shim. Therefore, the new pinion requires a .002" thicker shim, and a .017" shim should be used. If the new pinion is marked the same as the old pinion, no shim change is required.
6. After the proper selection of shims, insert "O" ring seal and pinion retainer assembly into differential carrier. Tighten 5 retainer bolts to 50 lb. ft. torque. (Note: The 5 bolts will have to be removed later to install back plate assembly.)
7. Install differential case, bearing cups, adjusting nuts, and bearing caps being sure that each cap is located in the same position from which it was removed. (Use marks as guide)
8. ADJUST bearing nuts so that differential case will be free to revolve. It is very important that there will be no bearing play or looseness, as this will inevitably lead to gear noise and wear. Gear backlash must be set at the same time to a tolerance of .005" to .009". Note: It will be necessary to release some of the cap bolt tension in order to allow the bearing to move while making the adjustments. If the caps are too loose an error will result when trying to set backlash and bearing clearance. Therefore double check your setting after the cap bolts have been tightened. If necessary make corrections in your settings until the specified tolerances are maintained after the cap bolts have been tightened.
9. Install nut locks.
10. Install differential carrier assembly in axle housing using new gasket and gasket sealer.
11. Install axles, brake assemblies (on models with hydraulic brakes), bearing retainers, and gaskets. NOTE: Axles are equipped with special sealed bearings. Should there be evidence of seal leakage, it is recommended that a new bearing and new bearing retainer ring be pressed onto the axle shaft, and new gasket be installed between the bearing and bearing seat in the housing. Refer to Figure 5.
12. Remove pinion nut, spacers, brake drum, and sprocket. Remove 5 bolts from pinion bearing retainer.

MAINTENANCE PROCEDURES (continued)
Re-Assembly of Power Traction Rear Axle

13. Install gasket (use gasket sealer) and back plate assembly. Tighten 5 bolts to 50 lb. ft. torque.
14. Install spacers, sprockets and chain in the reverse order to which they were removed. Take care that 3/16" woodruff key is in proper position and all spacers are in original position. Tighten 3/4" motor shaft nut to 74 lb. ft. torque (if sprocket was removed from motor).
15. Install motor and motor mount plate with "O" ring. Do not tighten 3 nuts until final adjustment is made. Be sure motor terminals are located in the same position as when motor was removed.
16. If seal is worn or damaged in gear case cover, replace with new seal. It is recommended that new seal be pre-soaked in light oil for several hours before installation. When pressing new seal into cover use small amount of sealer on seal opening in cover.
17. Install gear case cover to backplate and pinion shaft. Assemble, but do not tighten, retaining bolts and nuts.
18. Place centering tool 41-532-50, (for centering pinion shaft seal to brake drum hub) on pinion shaft and into seal retainer.

NOTE: If centering tool is not available, slide brake drum onto pinion shaft and into seal. Apply Permatex to base of pinion shaft washer nut, install and tighten to 100 ft. lb. torque, stake nut in two places. Position gear case cover so that seal pressure is uniform around hub of brake drum. Tighten gear case cover retaining bolts and nuts. Omit Steps 19 through 22.

19. Install pinion shaft washer and nut, and tighten to 100 ft. lb. torque.
20. Tighten gear case cover retaining bolts and nuts.
21. Remove pinion shaft nut and washer, and remove centering tool.
22. Install brake drum, washer, and pinion shaft nut. Tighten nut to 100 ft. lb. torque.
23. Install brake band, brake band anchor bracket, and brake band centering brackets to gear case cover, and tighten retaining bolts.
24. Replace wheels and fill chain and differential housing with approximately 2 quarts SAE 30 oil.
25. Replace unit in chassis following steps 11 to 13 outlined in Section 11 titled Removal of "Power Traction" Rear Axle.
26. Adjust motor mount plate (as outlined in Motor Adjustment Section following) to proper chain tension.

Adjustment of Motor Mount to Tension Chain

1. Tighten three motor mount nuts.
2. Loosen and unscrew each nut exactly one full turn.

NOTE: This procedure is very important for if the nuts are too loose or too tight an error will result in the final adjustment which will seriously effect the life of the chain.

MAINTENANCE PROCEDURES (continued)

Adjustment of Motor Mount to Tension Chain

3. Loosen adjusting set screw lock nut. Using standard socket set screw wrench turn set screw clockwise until tight. (If a torque wrench is available tighten to 80 in lbs. torque.) Without a torque wrench bear in mind that a standard socket set screw wrench is approximately 4" long. An average person will only be able to develop the required torque necessary if he tightens it as far as possible with his hands and does not use any extended handle on the wrench.
4. After developing the required torque, unscrew the adjusting screw exactly 2-1/2 turns. It is also very important to be exact on this adjustment.
5. Tighten locknut, DO NOT allow adjusting screw to move while tightening locknut.
6. Be certain that motor has moved all the way back and adjusting screw is in contact with back plate. If necessary tap motor lightly to assure this condition.
7. Tighten three motor mount nuts securely.

Perform this adjustment procedure regularly as listed below to assure long and trouble free life from your "Power Traction" Drive.

SCHEDULED ADJUSTMENT	HOURS RUNNING	COMMENTS
1st Adjustment	0	New Unit or After Installing New Chain
2nd Adjustment	Next 100 Hrs.	Normal Running Conditions
3rd Adjustment	Next 150 Hrs.	Normal Running Conditions
4th Adjustment	Next 250 Hrs.	Normal Running Conditions
Thereafter	Every 400 Hrs.	Normal Running Conditions

Removal of Motor for Minor Repairs

1. **CAUTION:** Disconnect both main battery leads to prevent accidental engagement of power while servicing unit.
2. Drain oil from gear case by removing drain plug.
3. Unhook brake spring.
4. Remove all bolts & nuts around gear case cover.
5. Remove brake band assembly with brake cables attached. Place assembly on floor under chassis.
6. Remove pinion nut, washer & brake drum.
7. Remove gear case cover.
8. Clearly mark motor leads to ensure their proper location when re-assembling. Remove motor leads.
9. Remove 3 nuts & washers and remove motor & mount plate.
10. If replacing motor, remove nut, washer, sprocket, and spacers. Also remove motor mount plate. NOTE: Observe location of motor terminals in relation to motor mount plate.

MAINTENANCE PROCEDURES (continued)

Install Motor in "Power Traction" Drive

It is not necessary to remove motor mount plate when performing minor motor repairs. Therefore, follow step 1 only when replacing motor with new one.

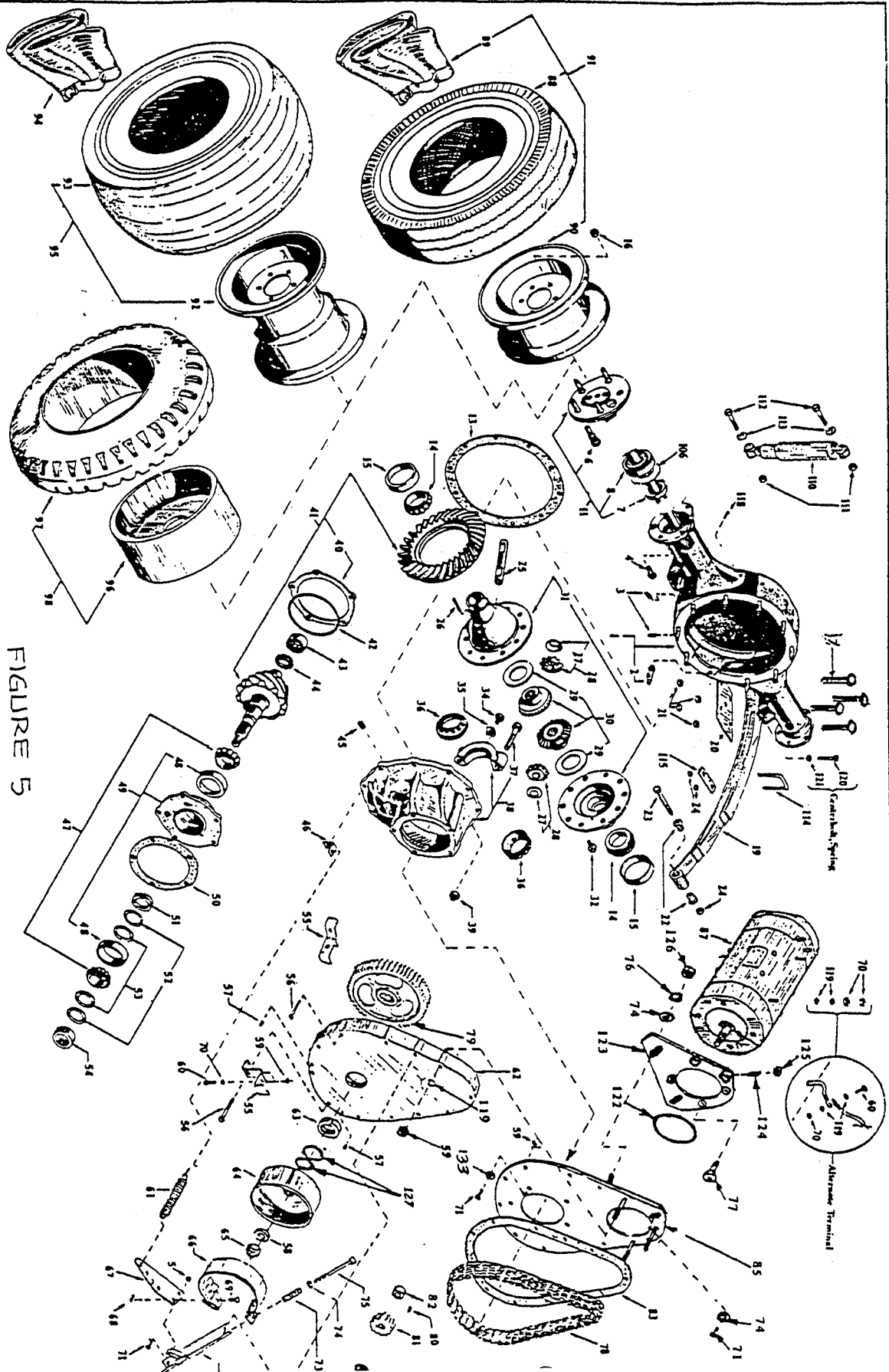
1. Clean motor surface and install mounting plate with four flat head screws. Tighten to 30 lb. ft. torque. Strike head in place with centerpunch. NOTE: It is important to locate the motor mount plate in relation to the motor terminal so that the motor terminals will be in an accessible location when drive is completely assembled.
2. Place "O" ring into motor mount plate opening and attach motor and plate to back plate.
3. Re-assemble drive in the reverse order to that of removal.
4. Adjust motor mount to obtain proper chain tension.
5. Refill gear case with SAE 30 oil.
6. Connect Motor leads as follows: (IMPORTANT!!)
 - a. Check that each motor terminal stud nut is tightened securely but not overtightened as this could bend or twist the terminal post and cause an electrical short within the motor.
 - b. Install motor leads on correct motor terminals post.
 - c. Install a second nut on each terminal post &* finger tighten.
 - d. To avoid bending, twisting or breaking-off a terminal post, use a thin pattern 9/16" wrench to hold the bottom nut from moving while tightening the top nut. Carefully tighten the top nut so as to make a good connection between the terminal post and motor lead.

Motor Repairs

Unless the maintenance man is properly qualified, it is advisable that repair work be done at a qualified service station. When ordering replacement parts, give complete name plate data. For disassembly of motor, refer to Section 12.

POWER TRACTION REAR AXLE, MOTOR AND BRAKES
FIGURE 5

FIGURE 5
POWER TRACTION
REAR AXLE, MOTOR & BRAKES



2-5-87
12-8-83 JPB

POWER TRACTION DRIVE AXLE
REFER TO FIGURE 5

FIG. I.D. NO.	T-D PART NO.	DESCRIPTION	QTY. REQ.
5-1	41-291-21	Housing, Rear Axle	1
5-2	96-330-00	Bolt-Differential Carrier to Housing	10
5-3	41-997-00	Drain and Level Plug (1/8 Pipe)	2
5-4	89-100-11	3/8 x 1 N.C. Hex Head Cap Screw	14
5-5	88-109-81	3/8 N.C. Lock Nut	18
5-6	96-331-00	Bolt - 1/2 N.F. Rear Hub	10
5-7	32-515-00	Retainer Ring, Rear Axle Bearing	2
5-8	80-503-00	Ball Bearing, Rear Axle, Large	2
5-11	41-152-10	Assembly, Axle Shaft 17-1/8 Long, Axle Flange Face to Splined End, 28 Teeth on Spline, with 80-503-00 Bearing, 32-514-00 Retainer Plate, 32-515-00 Retainer Ring, 45-045-00 Gasket, 45-301-00 Oil Seal and Lug Nuts. Use With 41-291-21 Drive Housing	2
5-12	45-301-00	Seal Oil	1
5-13	45-042-00	Gasket, Axle Housing to Differential	1
5-14	80-511-00	Tapered Roller Bearing-Carrier (Small 1.628 ID)	2
5-14	80-512-00	Tapered Roller Bearing-Carrier (Large 1.784 ID)	2
5-14	80-513-00	Tapered Roller Bearing LM 102949 I.D. 1.7812 Use with 80-129-00 Bearing Race	2
5-15	80-127-00	Tapered Bearing Race-Carrier (Small)	2
5-15	80-128-00	Tapered Bearing Race-Carrier (Large)	2
5-15	80-129-00	Tapered Bearing Race LM102910 O.D. 28910. Use with Bearing 80-513-00	2
5-16	97-236-00	Nut, 1/2" N.F. (Lug)	10
5-17	88-101-18	3/8 x 2-1/2 N.C. Hex Head Cap Screw, GR3, (Heat Treated)	8
5-19	85-510-15	Five Leaf Cantilever Spring Assembly	2
5-20	16-861-00	Pad, Spring 3 x 5 x 1/4 Thick	2
5-21	88-109-87	3/8 N.C. Fastite Nut	20
5-22	98-601-00	Rubber Grommet 1/2" I.D. for Leaf Spring Eye	4

POWER TRACTION DRIVE AXLE (continued)
REFER TO FIGURE 5

FIG. I.D. NO.	T-D PART NO.	DESCRIPTION	QTY. REQ.
5-23	96-240-00	Hex Head Cap Screws 1/2" x 4" N.C. (Pointed)	2
5-24	88-149-81	Lock Nut 1/2" N.C. (Hex)	6
5-25	41-700-00	Differential Pinion Shaft	1
5-26	41-701-00	Pin	1
5-27	41-702-00	Thrust Washer - Differential Pinion Shaft	2
5-28	41-703-00	Differential Shaft Pinion Kit (Two Differential Gears and Two Thrust Washers)	1
5-29	41-074-00	Thrust Washer - Differential Side Gear	2
5-30	41-705-00	Differential Side Gear Kit (Two Differential Side Gears and Two Thrust Washers)	1
5-31	41-712-00	Differential Gear Case Assembly (Small Carrier Bearings 1.628" I.D.)	1
5-31	41-713-00	Differential Gear base Assembly (Large Carrier Bearings 1.784" I.D.)	1
5-32	96-243-00	Hex Head Cap Screw 7/16" x 7/8" N.F., H.T.	10
5-34	88-080-04	Hex Head Cap Screw 5/16" x 3/8" N.C.	2
5-35	41-706-51	Nut Lock, Diff. Bearing Adjustment with Right Angle Tab w/Last Bend 1/4" Long. Use with 41-708-50 Diff. Bearing Adjusting Nut	2
5-35	41-706-00	Differential Bearing Adjustment Nut Lock	2
5-35	41-705-50	Nut Lock, Diff. Bearing Adjustment with Right Angle Tab w/Last Bend 1/4" Long. Use with 41-708-50 Diff. Bearing Adjustment Nut Lock	2
5-36	41-707-00	Nut-Differential Bearing Adjustment 3-1/8 -16 Thread (for Small Carrier Gearing 1.628" ID)	2
5-36	41-708-00	Nut-Differential Bearing Adjustment 3-5/16" -16	2
5-36	41-708-50	Nut-Differential Bearing Adjustment 3-1/8" OD, Round Locking Holes. Use with LM603049 Bearing	2
5-37	88-140-16	Hex Head Cap Screw 1/2" x 2" NC	4
5-38	41-709-00	Differential Carrier Assembly (For Small Carrier Bearing 1.628" ID)	1
5-38	41-710-00	Differential Carrier Assembly (For Large Carrier Bearing 1.784" ID)	1
5-39	88-119-80	Nut - 3/8" NF (Hex)	14
5-40	41-711-00	Shim-Drive Pinion Bearing	1 to 3
5-41	31-234-00	Ring and Pinion Gear Set 3.00 Ratio	1
5-41	31-235-00	Ring and Pinion Gear Set 2.75 Ratio	1
5-41	31-236-00	Ring and Pinion Gear Set 3.10 Ratio	1
5-41	31-237-00	Ring and Pinion Gear Set 3.25	1
5-41	31-239-00	Ring and Pinion Gear Set 5.43	1
5-42	80-702-00	"O"Ring - Drive Pinion Bearing Retainer	1
5-43	80-555-00	Ball Bearing - Rear, Pinion Pilot	1
5-44	41-714-00	Driving Pinion Pilot Bearing Retainer	1
5-45	41-998-00	Plug, 1/2 NPT	1
5-46	91-509-00	Spring Clip	1
5-47	80-554-00	Tapered Roller Bearing - Pinion Shaft	1
5-48	80-125-00	Tapered Bearing Race - Pinion Race	1
5-49	44-340-90	Pinion Bearing Case Assembly & Bearing Races	1
5-50	45-021-00	Gasket Gear Case to Pinion Bearing Assembly	1
5-51	16-415-00	Spacer Pinion Shaft (.440" Thick)	2
5-52	16-419-00	Spacer Pinion Shaft (.002" Thick)	2 to 6
5-52	16-410-00	Spacer Pinion Shaft (.018" Thick)	2 to 6
5-53	16-411-00	Spacer Pinion Shaft (.005" Thick)	2 to 6
5-54	16-417-00	Spacer Pinion Shaft (.340" Thick)	1

POWER TRACTION DRIVE AXLE (continued)
REFER TO FIGURE 5

FIG. I.D. NO.	T-D PART NO.	DESCRIPTION	QTY. REQ.
5-55	41-371-00	Brake Alignment Bracket	2
5-56	88-080-20	Hex Head Cap Screw 5/16" X 3" NC	9
5-57	41-989-00	Plug (Filler Level & Drain (1/4" N.P.T.))	2
5-58	94-400-01	Permatex (Apply From Tube)	1
5-59	88-089-81	Lock Nut 5/16" N.C. (Hex)	14
5-60	88-080-11	Hex Head Cap Screw 5/16" X 1" NC	2
5-61	85-270-00	Extension Spring 1-1/4" OD X 4-3/8" Free	1
5-62	43-201-11	Gear Case Cover with Oil Seal	1
5-63	45-331-00	Oil Seal - Gear Case to Pinion	1
5-64	41-532-00	Brake Drum (Splined)	1
5-65	97-250-00	Nut - Pinion 3/4" - 20 Extra Fine Thread	1
5-66	41-661-67	Full Brake Band for 6" Drum, Kit	1
5-67	50-656-00	Brake Lever Arm	1
5-68	88-517-11	Cotter Pin 3/32" X 1"	1
5-69	96-771-00	Clevis Pin 3/8" X 3/4" Face to Hole	1
5-70	88-089-80	Nut - 5/16" NC (Hex)	10
5-71	88-100-13	Hex Head Cap Screw 3/18" X 1-1/4" NC	7
5-72	41-370-10	Brake Mounting Bracket	1
5-73	85-060-00	Compression Spring 5/8" OD x 2-1/2" Long	1
5-74	88-108-60	Washer 3/8" Flat Cut	4
5-75	96-245-10	Bolt, 1/2" x 5" Gr. 2 or Better	1
5-76	88-108-62	Lock Washer 3/8"	18
5-77	88-103-09	Flat Head Socket Cap Screw 3/8" X 3/4 NC	4

NOTE: The twin roller chain is very different in looks from the side bar chain in that the twin roller chain rides on sprockets having double rows of teeth whereas the side bar type chain rides on sprockets having a single row of teeth.

5-78	30-506-20	Chain, Silent, 32 Pitch (for 42 Tooth Sprocket)	1
5-78	30-507-20	Chain, Silent, 82 Pitch (for 59 Tooth Sprocket)	1
5-78	30-508-20	Chain, Silent, 96 Pitch (for 81 Tooth Sprocket)	1
5-78	30-320-11	Chain, Double Strand, #35 Roller 96 Pitches, 36" Long, One Piece, Used with 14-81 Ratio Double Tooth Sprocket	1
5-78	30-320-12	Chain, Double Strand, #35 Roller 84 Pitches, 36" Long, One Piece, Used with 15-81 Ratio Double Tooth Sprockets	1
5-79	30-091-00	Sprocket, Silent Chain, 42 Tooth with Splined Hub	1
5-79	30-092-00	Sprocket, Silent Chain, 59 Tooth with Splined Hub	1
5-79	30-093-00	Sprocket, Silent Chain, 81 Tooth with Splined Hub	1
5-79	30-070-10	Sprocket, 81 Tooth For #35 Double Strand Roller Chain, F2 Splined Hub	1
5-80	97-100-00	Woodruff Key - 3/16"	1
5-81	30-080-00	Sprocket - 15 Tooth x 3/4" Bore	1
5-81	30-081-00	Sprocket - 14 Tooth X 3/4" Bore	1
5-81	30-070-00	Sprocket, 15 Tooth for #35 Double Strand Roller Chain, 3/4" Bore 3/16 Keyway	1
5-82	17-110-10	Shaft Collar - 3/4" with Keyway	1
5-83	45-002-00	Gasket - Gear Case Cover	1
5-84	88-239-82	Jam Nut - 3/4 N.F. (Hex) for 15 Tooth Sprocket	1
5-84	97-242-00	Special Nut 3/4" NF (Hex) for 14 Tooth Sprocket	1
5-85	44-352-51	Gear Case Back Plate (Side Motor Mount) Adjustable	1

POWER TRACTION DRIVE AXLE (continued)
REFER TO FIGURE 5

FIG. I.D. NO.	T-D PART NO.	DESCRIPTION	QTY. REQ.
5-87	70-054-30	Motor, 10 HP at 36 Volts, Prestolite	1
5-91 thru 5-98		REFER TO SECTION 10 FOR TIRE, TUBE, AND WHEEL PARTS LISTING	
5-106	45-045-00	Gasket - Rear Axle Bearing Large	2
5-110	86-000-00	Shock Absorber	1
5-111	88-189-81	Lock Nut 5/8" Hex	2
5-112	88-180-18	Hex Head Cap Screw 5/8" x 2-1/2 N.C.	2
5-113	88-188-61	Washer 5/8" SAE	2
5-114	96-103-00	"U" Bolt 1/2" x 1-7/8" I.D. x 3-1/2" Overall Length	2
5-115	50-460-00	"U" Bolt Strap	2
5-118	88-527-11	Cotter Pin 1/8" x 1" (Axle Vent)	1
5-119	88-088-61	Washer 5/16" SAE	11
5-120	96-097-14	Centerbolt for 5 Leaf Spring 5/16" NF x 1-1/2"	2
5-121	88-099-80	Nut 5/16" NF (Hex)	2
5-122	80-703-00	"O" Ring Motor Mount Seal	1
5-123	70-454-00	Motor Mount Plate	1
5-124	88-087-11	Socket Set Screw 5/16" NC x 1	1
5-125	88-069-80	Nut 1/4" NC (Hex)	1
5-126	88-109-80	Nut 3/8" NC (Hex)	3
5-127	16-400-00	Spacer 1-1/4 I.D. x .125" Thick	0-1 or 2
5-133	88-108-63	Lockwasher, 3/8, Internal Tooth	5

MOTOR MAINTENANCE, SERVICE AND ADJUSTMENT ELECTRIC MOTORS
REFER TO FIGURE 5 M

Detailed service procedures covering maintenance of bearing brushes and commutator are covered in this section. DO NOT PERFORM THIS PROCEDURE WHILE BATTERIES ARE BEING CHARGED.

Maintenance of electric motors should be referred to personnel with proper equipment. Should it be necessary for you to order replacement parts for your motor, IT IS NECESSARY TO INCLUDE COMPLETE NAMEPLATE DATA WITH ORDER.

MOTOR MAINTENANCE - BRUSH INSPECTION AND REPLACEMENT

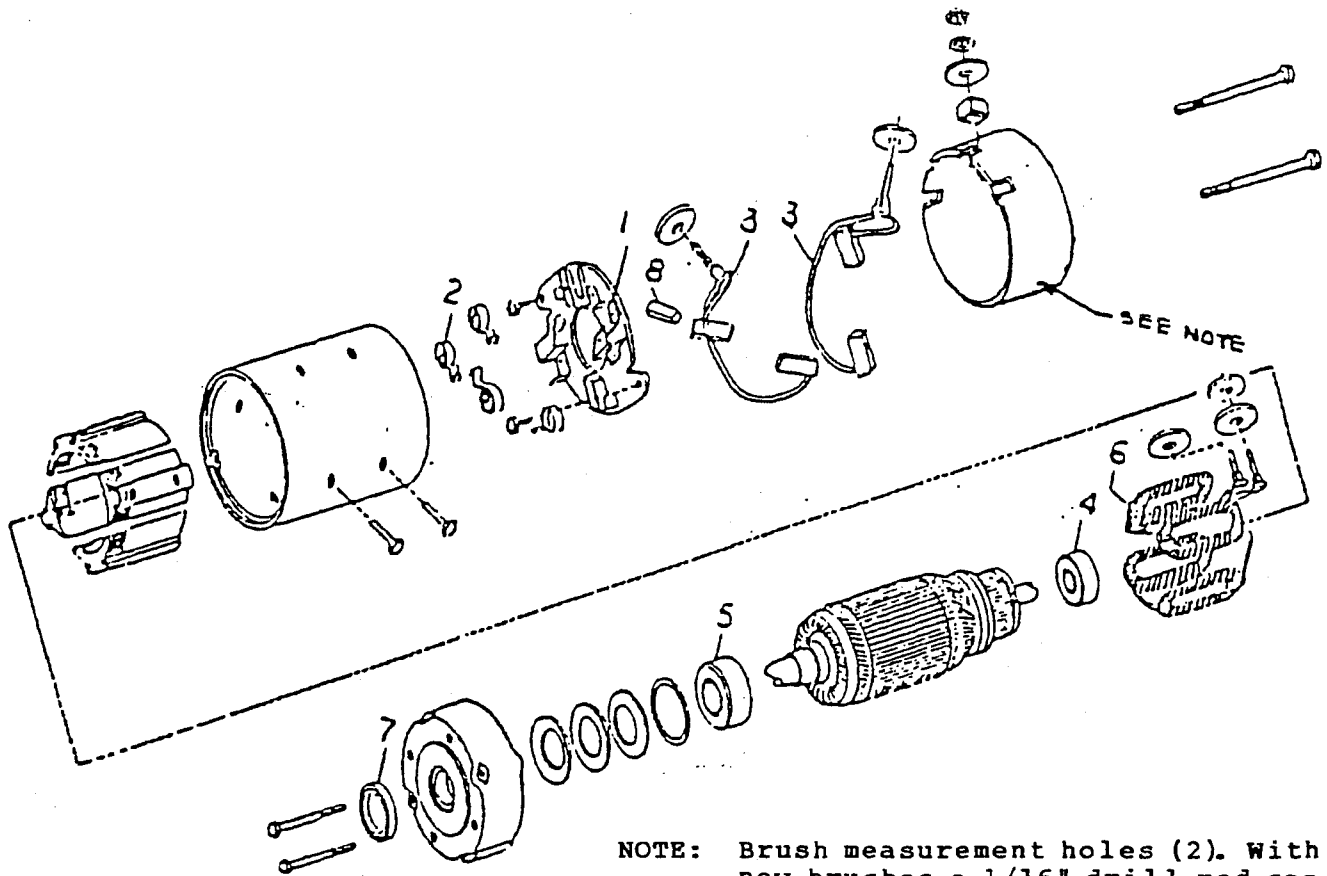
1. Remove cover, exposing brush assemblies. Lift brush from holder for inspection.
Brush Measurement Procedure for 726 and 754 Motor.
With new brushes, a 1/16" drill rod can be inserted approximately .76" into brush measurement holes. Brushes should be replaced when rod can be inserted 1.56" into hole. This leaves approximately 1/8" allowable wear remaining.
2. If brushes are worn, remove and install new brushes. Use fine sandpaper to 'seat in' new brushes to commutator. To determine when to replace worn brushes, proceed as follows:
 - a. For motors equipped with brushes having end pigtails and side hooks, replace brush when hook is within 1/16" from bottom of hook slot.
 - b. For motors equipped with brushes having side pigtails only, replace brush when pigtail is within 1/16" from bottom of pigtail slot.

NOTE: When one brush is replaced in a motor, it is considered good maintenance practice to replace all brushes.

3. Check operation of each brush to assure that brush slides freely and does not bind in holder.
4. Replace cover.

MOTOR DISASSEMBLY AND REASSEMBLY

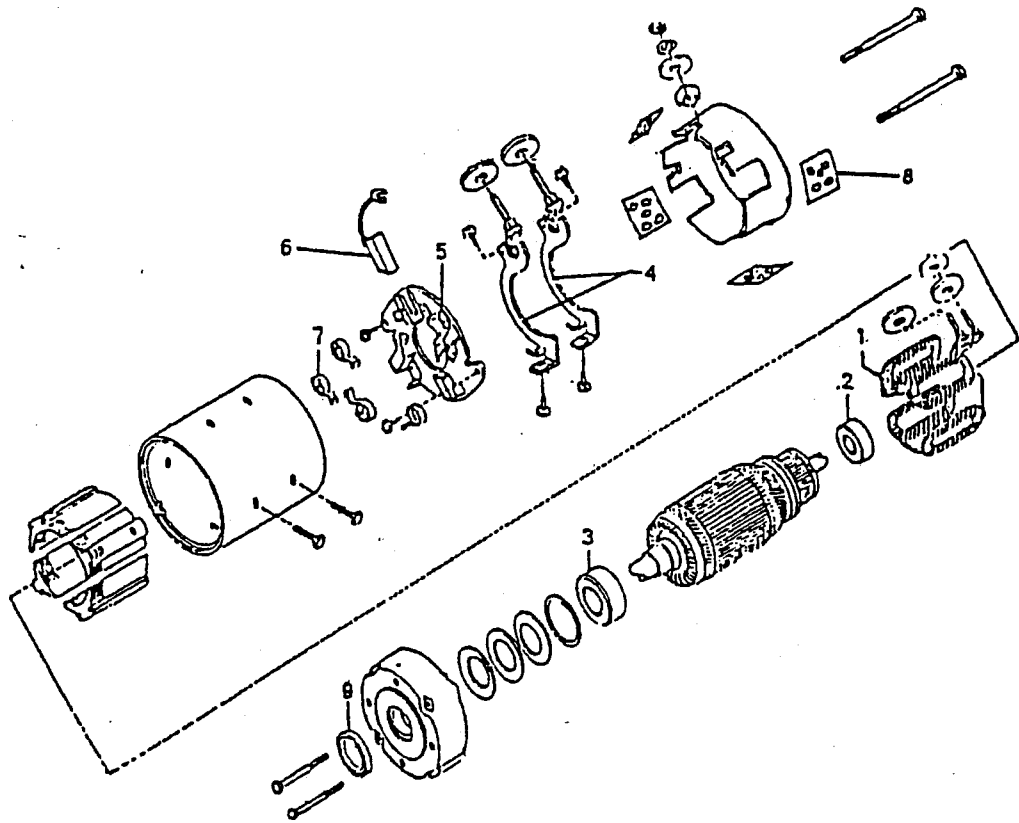
1. Remove motor from vehicle as described in Section 11.
2. Determine if witness marks on end bell and stator housing are present. If not, mark end bell and housing to assure proper relation of brushes and commutator when reassembling.
3. Remove cover, exposing brush assemblies. Lift brushes from brush holder.
4. Remove bolts holding end bells and remove end bell and rotor. (Pull from shaft extension end). Take care not to damage any coils or armature wires when handling motor parts.
5. Press or pull old bearings off by using bearing press or bearing puller. Do not damage shaft while removing bearings.
6. Install new bearings on to shaft by gentle pressure or tapping with proper tool on inner race only. Bearing will be damaged if pressed or driven by outer race or seals.
7. If the commutator is worn or 'burned', it should be turned, the mica undercut and commutator polished.
8. Oil bearing housing lightly to aid in reassembly.
9. Reassemble motor taking care that all parts are kept clean.
10. Install brushes and 'seat in' with fine sandpaper.



NOTE: Brush measurement holes (2). With new brushes a 1/16" drill rod can be inserted approximately .780" into the brush measurement holes. Brushes should be replaced when rod can be inserted 1.560" into hole. This leaves approximately 1/8" wear remaining.

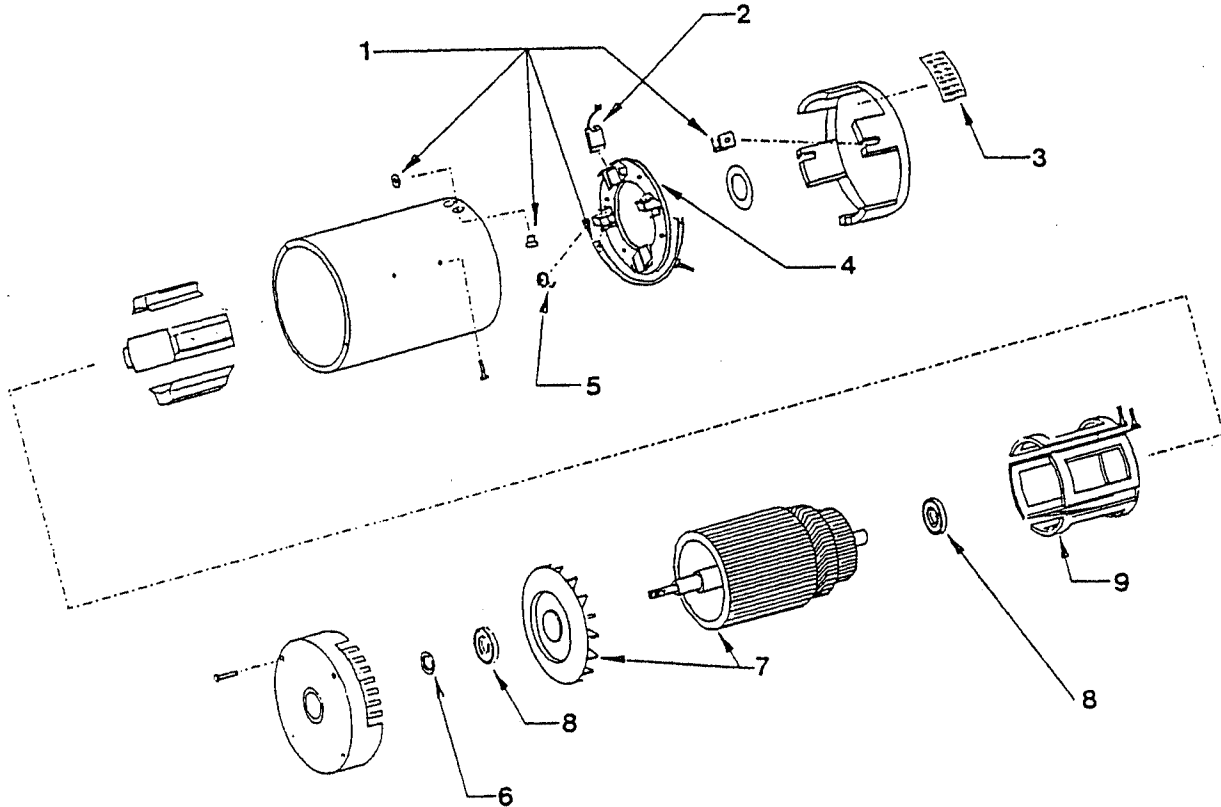
D. C. MOTOR

ITEM	PART NO.	DESCRIPTION	QTY.
	70-049-00	D.C. Motor 6.0 H.P. GE5BC48JB754	1
1.	70-172-00	Brush Holder Assembly (without brushes)	1
2.	85-412-00	Spring, Brush Extension	4
3.	70-104-00	Brush Assembly	2
4.	80-200-00	Ball Bearing, Commutator End	1
5.	80-504-00	Ball Bearing, Pulley End	1
6.	70-205-00	Field Coil Set	1
7.	45-506-00	Oil Seal	1
8.	70-250-00	Gasket, Terminal	4



D. C. MOTOR

ITEM	PART NO.	DESCRIPTION	QTY.
	70-054-00	D. C. Motor 10.0 H.P. G.E. 5BC49JB399	1
1.	70-203-10	Field Coil Set	1
2.	80-200-00	Ball Bearing, Commutator End	1
3.	80-504-00	Ball Bearing, Pulley End	1
4.	70-195-10	Armature Terminal to Brush	2
5.	70-188-00	Brush Holder Assembly	1
6.	70-105-00	Motor Brush	4
7.	85-412-00	Brush Extension Spring	4
8.	30-802-00	Brush Extension Cover	4
9.	45-508-00	Oil Seal	1
10.	70-210-62	Motor Terminals Insulator Kit	1



D.C. MOTOR

ITEM NO.	PART NO.	DESCRIPTION	QTY.
	70-054-30	D.C Motor 10 HP Prestolite MVB 4001	
1	70-210-65	Kit Term Stud	4
2	70-105-10	Brush 10 HP Prestolite, Set of 4	1
3	30-802-20	Cover, Brush Inspection	4
4	70-188-10	Assembly, Brush Holder w/o Brushes or Springs	1
5	85-412-10	Spring, Brush 10 HP Prestolite	4
6	45-508-20	Seal, 10 HP Prestolite	1
7	70-054-31	Armature, w/Fan, 10 HP Prestolite	1
8	80-504-20	Bearing, Ball, Commutator and Pulley	2
9	70-203-20	Field Coils (set)	1

MAINTENANCE PROCEDURES HYDRAULIC BRAKE SYSTEM
REFER TO FIGURE 6

Your hydraulic brake system consists of an automotive master cylinder operated by the brake foot pedal and control linkage.

Each rear wheel is fitted with a disc brake assembly. On 4 wheel brake models the front wheels are equipped with front wheel drum brakes.

Refer to Maintenance Guide Section 4 and Lubrication Diagram Section 5 for proper lubrication and frequency of inspection.

Master cylinder fluid level should be checked monthly. Add fluid as needed to maintain level $\frac{3}{8}$ " to $\frac{1}{2}$ " from top of fill port. Use only approved hydraulic brake fluid, DOT #5.

A visual inspection of the hydraulic system is recommended on a monthly basis to detect any signs of leakage. Repair should be made immediately if leakage is discovered.

A spongy action on brake pedal or a low engagement point on pedal usually indicates air entrapment or the need of shoe adjustment. Refer to Service and Adjustment Section 13 of this manual for proper procedures to follow.

HYDRAULIC DISC BRAKE SYSTEM

Rear wheel disc brakes are standard and are shown in this same Section 13.

HYDRAULIC DRUM BRAKE SYSTEM

Front wheel drum brakes are optional and are shown in this same Section 13.

SERVICE AND ADJUSTMENT HYDRAULIC BRAKE SYSTEM
REFER TO FIGURE 6 & 7

The loss of brake pedal action may be due to a defective master cylinder. It can usually be detected by signs of fluid leakage at master cylinder or by the action of the brake pedal. When foot pedal pressure is applied you will feel the brakes engage, yet, the pedal will continue to travel downward. A ruptured hydraulic line or a defective wheel cylinder will produce the same action. You can determine the cause by the location of brake fluid leakage.

MASTER CYLINDER REPAIR OR REPLACE

1. Remove cotter pin, clevis pin, and remove push rod. (It will slide out of master cylinder socket).
2. Disconnect hydraulic line at cylinder (there will be 2 lines on a 4 wheel brake system).
3. Remove 2 holding bolts and lift master cylinder out of chassis.
4. Cylinder should be thoroughly cleaned.
5. Remove boot and locking ring.
NOTE: Piston parts are under spring pressure, take care that they do not pop out when you remove lock ring.
6. Remove piston and cup assembly.
7. Inspect cylinder wall. If scoring or roughness is present it must be removed with a fine hone.
8. Taking care that all parts are kept clean, install new piston and cup assembly kit. A diagram is furnished with each kit. It is also recommended that parts are coated with a small amount of brake fluid prior to assembly.
9. Replace lock ring and boot.
10. Install cylinder in chassis in reverse order to which it was removed.
11. ADJUST push rod by loosening locknut and shortening or lengthening the rod so that when brake pedal is fully raised the push rod should be within 1/16" of contacting piston socket. A good way to be certain is to remove clevis pin. While lightly holding rod against socket (DO NOT PUSH HARD ENOUGH TO MOVE PISTON) observe the alignment of clevis and hole. When correct you will have to pull rod approximately 1/16" out of socket to insert clevis pin.
12. Tighten locknut and install cotter pin.

NOTE: Anytime that any part of the hydraulic system is disconnected or replaced, its necessary to bleed air from system.

If fluid level is allowed to fall to low in master cylinder reservoir, air will be pumped into system. Consequently the system will have to be bled to remove air. To bleed air from system, follow procedure outlined next.

1. For best results brake shoes should be properly adjusted prior to bleeding system.
2. Fill master cylinder to top with approved brake fluid or, if available, attach brake bleeder tank to master cylinder.

SERVICE AND ADJUSTMENT HYDRAULIC BRAKE SYSTEM (continued)
REFER TO FIGURE 6 & 7

MASTER CYLINDER REPAIR OR REPLACE (continued)

3. When using bleeder tank, loosen air bleeder valve (located at each wheel cylinder), one at a time, allow fluid to flow until air pockets and bubbles stop and clear stream appears.
3. ALTERNATE: If bleeder tank is not available, it is necessary to utilize 2 people to bleed brake system. One person will operate brake pedal and add fluid to master cylinder as needed. The other person will operate bleeder valves. While one person applies brake pedal pressure, loosen bleeder valve. Fluid and air will be forced out on the downward stroke of the pedal. Person operating pedal must hold it down at the end of its stroke while the other person closed bleeder valve. If pedal is raised while bleeder valve is open air will be drawn back into the system. By coordinating the movements of the 2 people, air will be bled out on each downward stroke of the pedal. It is wise to refill master cylinder after every 3 or 4 strokes to insure against any air being drawn in because of the reservoir level being too low. Usually 2 to 4 strokes per wheel cylinder is sufficient to remove air from system.
4. Remove brake bleeder tank if used. Fill master cylinder 3/8" to 1/2" of top and replace cover.

REPLACING WHEEL CYLINDERS OR BRAKE SHOES

1. Remove wheel lugs, wheel and brake drum.
2. Unhook springs and remove brake shoes. (refer to diagram). Brake shoes should be replaced when lining is worn to rivet head.
3. To remove wheel cylinder, disconnect hydraulic line.
4. Remove 2 wheel cylinder bolts from backing plate and remove wheel cylinder.
5. When installing replacement kit, clean wheel cylinder thoroughly.
6. Remove dust caps and piston parts.
7. Examine cylinder wheel. If scored or rough, remove with fine hone.
8. Install new kit assembly. Lubricate new parts with brake fluid.
9. Replace wheel cylinder and brake shoes in reverse order of removal.
10. Replace brake drum. (If brake drum is badly scored, replace with new one.)
11. Replace wheel.
12. Bleed hydraulic system and adjust brake shoes.

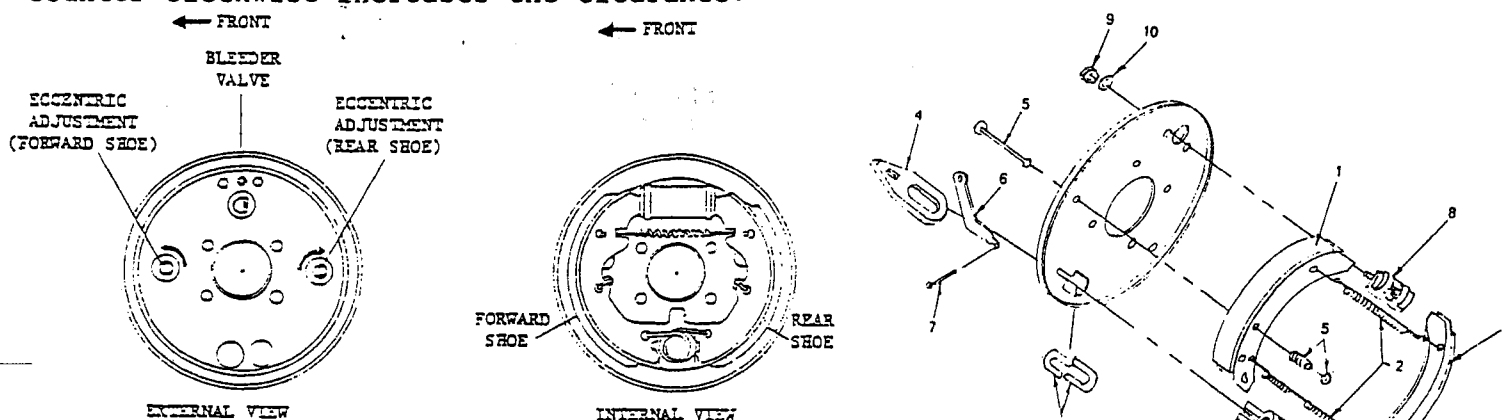
SERVICE AND ADJUSTMENT HYDRAULIC BRAKE SYSTEM (continued)
REFER TO FIGURE 6 & 7

ADJUST BRAKE SHOES - FRONT WHEEL BRAKES
41-332-11 LH & 41-332-12 RH

Front wheel brake adjustment is identical to rear wheel adjustment with one adjusting exception.

The forward shoe and rear shoe are simultaneously adjusted by turning one adjusting stud.

This stud is located on the inboard side of the brake backing plate near the lower end of the brake shoes. Turning the stud clockwise (when viewed from the inside of the shoe) decreases the drum to shoe clearance, and turning it counter clockwise increases the clearance.



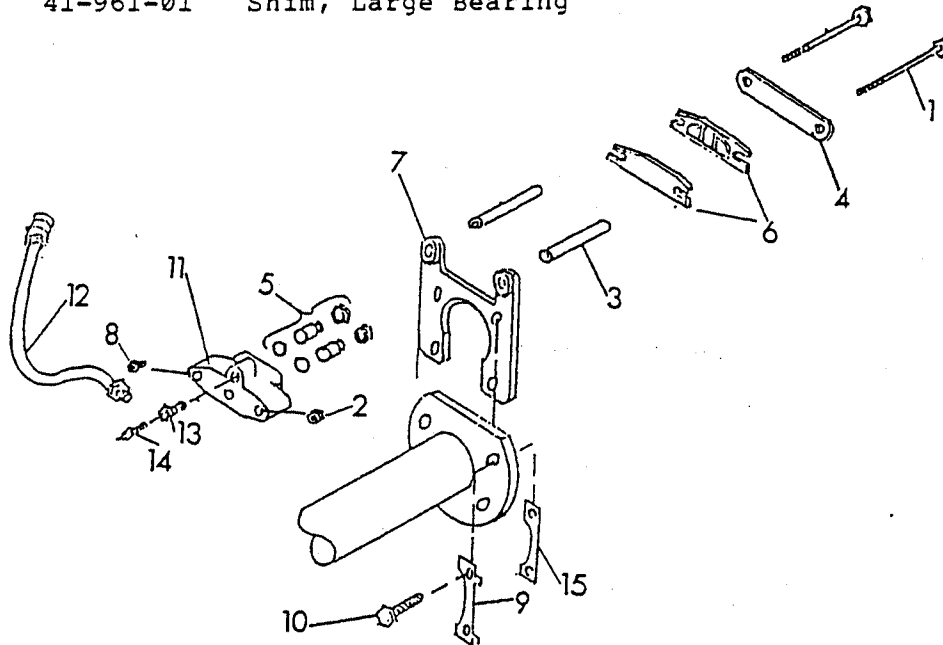
BENDIX NON-SERVO BRAKE OF THE FLOATING SHOE
TYPE WITH AN ECCENTRIC CAM ADJUSTMENT FOR EACH SHOE
FRONT HYDRAULIC BRAKES, RT & LT DRUM
41-332-11 and 41-332-12

FIG. I.D. NO.	T-D PART NO.	DESCRIPTION	QTY. LT. & RT.
1	41-601-00	Brake Shoe, 1-1/4" One Wheel	2
2	85-205-61	Kit, Springs, 7 x 1-1/4" Brake	1
3	99-501-00	Wheel Cylinder, Pl Axle	2
4	42-048-62	Kit, Wheel Cyl. Retainers & Dust Cover	1
5	41-694-00	Set, Brake Shoe Pin, Cup & Spring	4
6	42-058-00	Lever, Park Brake	2
7	88-527-11	1/8" X 1 Steel Cotter Pin	2
8	42-051-00	Brake Adjusting Unit	2
9	88-079-86	1/4-28 Locknut, Nylon Insert	4
10	88-068-61	1/4 SAE Washer	4

SERVICE AND ADJUSTMENT HYDRAULIC BRAKE SYSTEM (continued)

HYDRAULIC DISC BRAKES
41-350-67 LH OR RH ASSEMBLY

FIG. I.D. NO.	T-D PART NO.	DESCRIPTION	QTY. REQ.
1	88-067-21	1/4 NC Hex Head Bolt, Gr. 8	4
2	88-069-82	Nut, Hex Lock, 1/4 NC HT	4
3	41-348-52	Spacer, Mech, Disc Brake	4
4	41-350-51	Plate, Secondary, Hydraulic Disc	2
5	41-350-66	Kit, Cylinder Repair	4
6	41-348-70	Pad, Disc Brake	4
7	41-350-08	Bracket, Hydraulic Disc Body Large Bearing	2
8	95-920-00	Plug, Plastic 11/32 Hole	2
9	41-350-05	Clip, 2 Hole W/tab, Lg. Brg.	4
10	96-328-00	Bolt, 3/8 x 5/8 NC Spcl. Hd., Gr. 5	8
11	41-350-68	Body, Hydraulic Disc Brake, Right or Left	1
12	99-580-20	Hydraulic Hose	2
13	99-582-00	Screw, Bleeder 99-588-01	2
14	99-852-01	Adapter, Threaded 99-588-010	2
15	41-961-01	Shim, Large Bearing	4



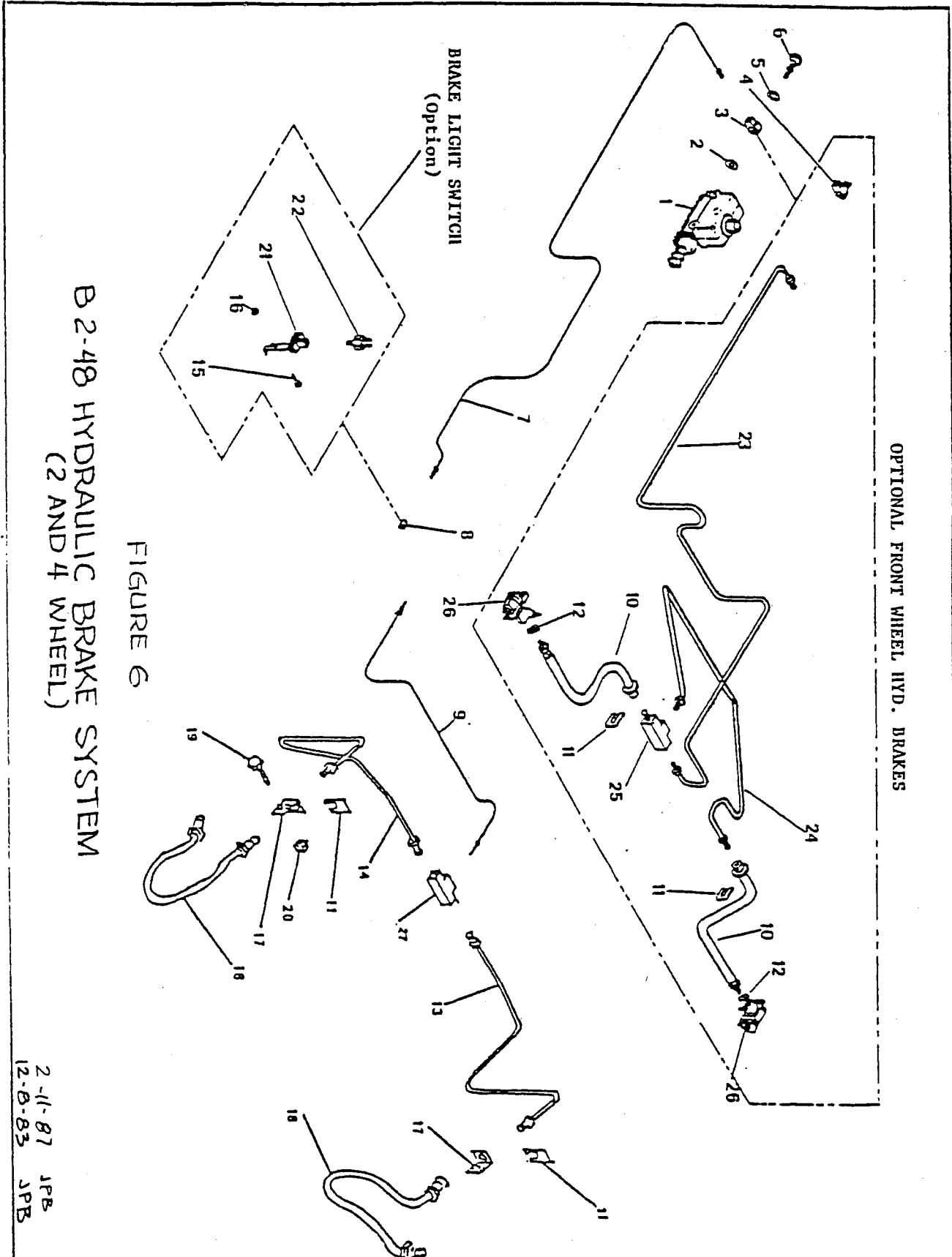
NOTE: When replacing cylinder kit;

1. Make certain body (item 11), internal cavities, passages and housing grooves are free of sand, dirt, chips or other foreign contaminants.
2. Lubricate o-ring piston O.D., boot and cylinder cavity of housing with 94-410-00 brake fluid only.
3. Install o-ring into the 2nd groove of the cylinder cavity in the housing.
4. With boot installation tool, slide boot over piston to 1/2" depth, inserting lip into 1st groove of cylinder cavity, pushing piston slowly until it bottoms.

FUNCTIONAL TEST FOR LEAKS

Apply 50 psi (air) into housing for 10 seconds. Maximum allowable drop is 5 psi.

B 2-48 REAR DISC AND OPTIONAL FRONT DRUM BRAKES
FIGURE 6



2-11-87 JPB
12-8-83 JPB

HYDRAULIC BRAKE SYSTEM (2 & 4 WHEEL)
REFER TO FIGURE 6

FIG. I.D. NO.	T-D PART NO.	DESCRIPTION	QTY. REQ.
6-1	99-510-01	Master Cylinder	1
6-1	99-510-61	Repair Kit (Master Cylinder)	1
6-2	99-571-00	Washer (copper small hole)	1
6-3	99-566-00	Fitting (3/16" Tube Single Outlet) 2 Wheel Brakes	1
6-4	99-565-00	Fitting (3/16" Tube Dual Outlet) 4 Wheel Brakes	1
6-5	99-572-00	Washer (copper large hole)	1
6-6	99-579-00	Bolt (Master Cylinder Fitting Adaptor)	1
6-7	99-609-51	Formed Steel Brake Line (3/16" x 72")	1
6-8	99-575-00	Union (3/16" Tube)	1
6-9	99-608-51	Formed Steel Brake Line (3/16" x 60)	1
6-10	99-580-10	Assembly Brake Hose	3
6-11	99-576-00	Clip (Hose) Wagner #FC3052	2
6-12	99-574-10	Spacer	2
6-13	99-604-57	Brake Line, Formed (3/16 x 20) LT	1
6-14	99-604-56	Brake Line, Formed (3/16 x 20) RT	1
6-15	88-060-11	1/4 NC x 1 Hex Head Cap Screw	1
6-16	88-069-87	Nut, 1/4" NC Fastite	1
6-17	99-585-50	Bracket, Mounting, Brake Hose	2
6-18	99-580-00	Hydraulic	2
6-19	88-060-06	1/4 x 1/2 NC Hex Head Cap Screw	4
6-20	88-069-81	1/4 NC, Locknut	4
6-21	99-591-00	Female Branch Tee, #652 x 3	1
6-22	71-110-00	Switch, Brake Light	1
6-23	99-608-52	Formed Steel Brake Line 3/16" x 60	1
6-24	99-606-51	Formed Steel Brake Line 3/16" x 40	1
6-25	99-559-00	Tee Fitting 3/16" Tube x 3/8" -24 INU. x 3/16 Tube	1
6-27	99-654-00	Union T. 3/16 inv. Flare	1

MAINTENANCE PROCEDURES MECHANICAL CONTROL LINKAGE
REFER TO FIGURE 7

The mechanical control linkage operates the various controls and mechanisms located throughout your vehicle.

The accelerator system consists of the operating pedal and pivot shaft assembly, the connecting rods and adjusters and the return spring. All wear points should be lubricated monthly for normal service. Refer to Maintenance Guide Section 4 and Lubrication Diagram Section 5 for proper application of lubricants.

The handbrake system consists of the hand operating lever, pivot shaft, connecting rod, and adjuster and the mechanical brake operating cable. (Note that on vehicles equipped with mechanical brakes only, this cable serves as the operating cable for the foot brake system as well).

The footbrake system consists of the foot pedal, pivot shaft, brake operating cable as mentioned above, the return spring, and the master cylinder and push rod assembly on vehicles equipped with hydraulic brakes.

The automatic deadman brake system consists of the pivoted seat assembly. The operating cable or rods. The brake apply spring, adjustable tension device and its connecting linkage.

All wear points should be lubricated monthly. Refer to Maintenance Guide Section 4 and Lubrication Diagram Section 5 for proper application of lubricants.

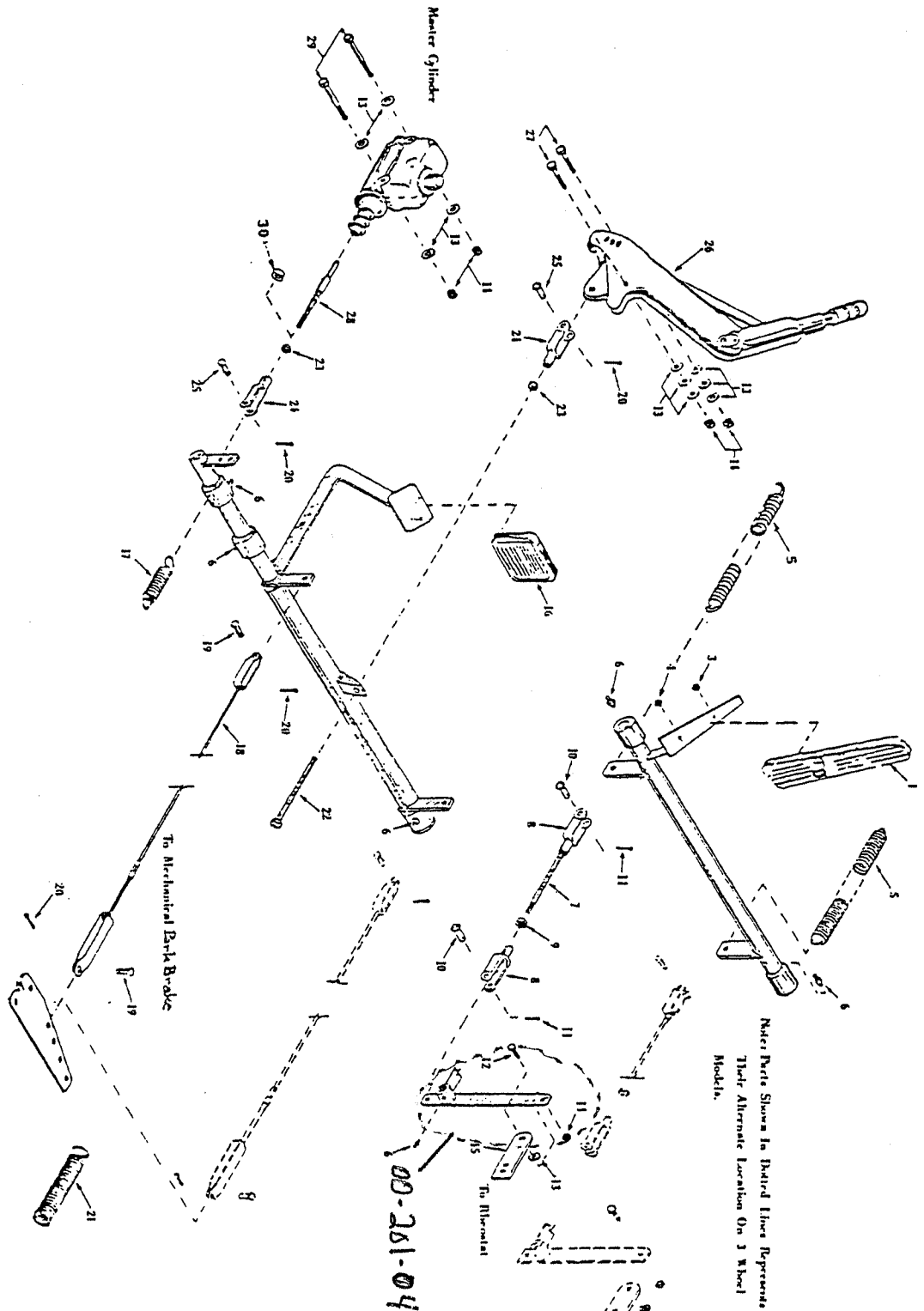
For service and adjustments refer to the following sections:

- Section 14 - For hand brake and mechanical brake or "deadman" brake service and adjustments.
- Section 13 - For Master cylinder and push rod adjustments and service.
- Section 14 - For accelerator service (if Rheostat Controller) and adjustments.
- Section 15 - For accelerator service (if PWR-TRON Controller) and adjustments.

B 2-48 MECHANICAL CONTROL LINKAGE
(3 AND 4 WHEEL)
FIGURE 7

B 2-48 MECHANICAL CONTROL LINKAGE
(3&4 WHEEL)

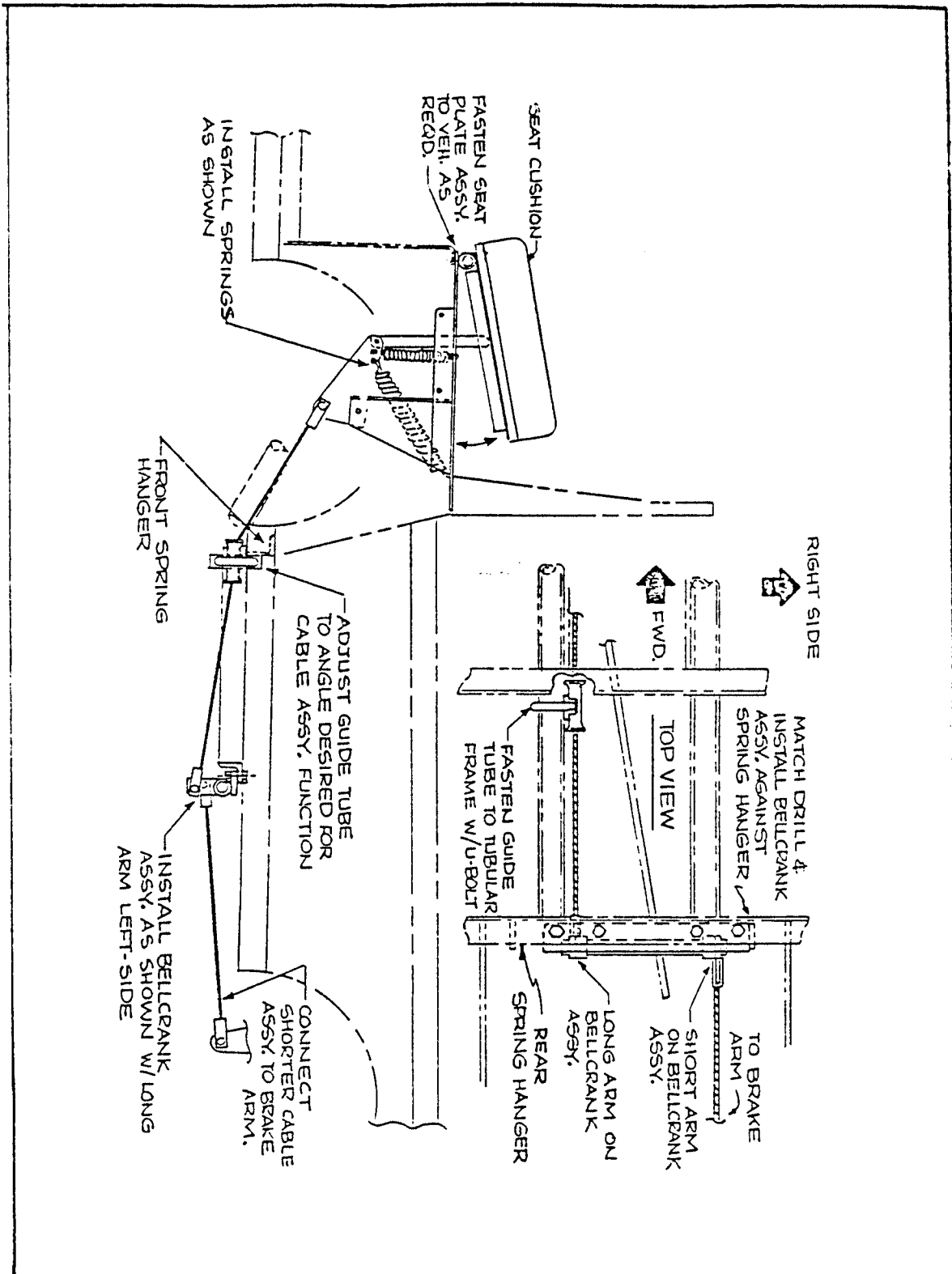
FIGURE 7



MECHANICAL CONTROL LINKAGE
REFER TO FIGURE 7

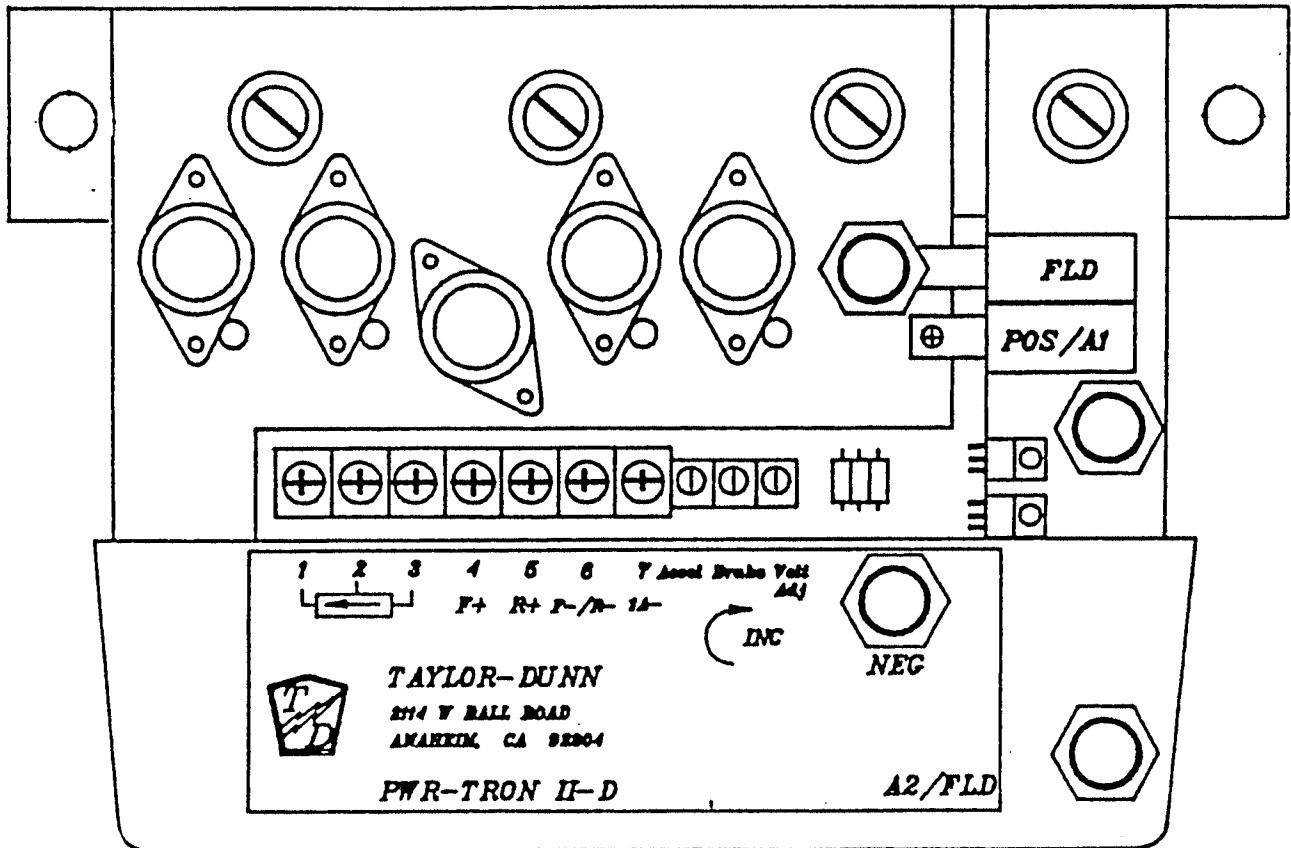
FIG. I.D. NO.	T-D PART NO.	DESCRIPTION	QTY. REQ.
7-1	98-524-00	Accelerator Pad (Aluminum)	1
7-2	88-025-08	Truss Head (Machine Screw 8-32 x 5/8"	1
7-3	88-029-80	Nut 8-32 (Hex)	1
7-4	88-079-80	Nut 1/4" NF (Hex)	1
7-5	85-233-00	Spring - Extension 11/16" OD x 6-1/4" Free Length	2
7-6	87-071-00	Grease Fitting 3/16" Drive Type Straight	6
7-7	50-014-00	Accelerator Rod 5/16" x 11" Long	1
7-8	96-763-00	Cast Clevis 5/16"	2
7-9	88-099-80	Nut 5/16" NF (Hex)	2
7-10	99-773-00	Clevis Pin 5/16"	2
7-11	88-517-09	Cotter Pin 3/32" x 3/4	2
7-12	88-100-11	Hex Head Cap Screw 3/8 x 1" NC	1
7-13	88-108-60	Washer 3/8" Flat	11
7-14	88-109-81	Lock Nut 3/8" NC (Hex)	5
7-15	61-834-00	J-Hook Insulating Board	1
7-16	98-200-00	Rubber Brake Pedal Pad	1
7-17	85-250-00	Spring Extension 1-1/16" OD x 3-5/8" Free Length	1
7-18	96-821-00	Adjustable Cable Assembly (63-1/2" to 60-1/2")	1
7-19	96-771-00	Clevis Pin 3/8" x 3/4" (Face to Hole)	2
7-20	88-527-11	Cotter Pin 1/8" x 1"	4
7-21	85-270-00	Spring Extension 1-1/4" OD x 4-3/7" Free Length	1
7-22	88-111-28	Hex Head Cap Screw 3/8" x 6" NF (H.T.)	1
7-23	88-119-80	3/8 NF Hex Head Nut	2
7-24	96-762-00	Cast Clevis 3/8"	2
7-25	96-772-00	Clevis Pin 3/8" x 1" (Face to Hole)	2
7-26	51-340-00	Hand Parking Brake Lever with Spacers	1
7-27	88-100-15	Hex Head Cap Screw 3/8" x 1-3/4" NC	2
7-28	50-009-00	Master Cylinder Push Rod 3/8" x 5-3/8"	1
7-29	88-101-20	Hex Head Cap Screw 3/8" x 3" NC	2
7-30	17-104-00	Collar, 3/8" Shaft	1
(Not Shown)	50-663-00	Strap, Accelerator - Connects optional EV-1 Accelerator Control Pivot Bar to Accelerator	

MECHANICAL CONTROL LINKAGE
B 2-48 DEADMAN SEAT OPTION



PWR-TRON II INTRODUCTION

The PWR-TRON II is developed and available only from Taylor-Dunn and is warranted for one full year. Modifications to the control unit, drive or power system will void the warranty.



PT II D

24 OR 36 VOLTS
RECOMMENDED FOR
USE UP TO 10 HP
MOTORS
(INTERMITTENT)

INTRODUCTION

PWR-TRON II transistorized control is a solid state voltage regulator designed specifically for use on electric vehicles. Its essential function is to regulate the power fed from battery to motor so as to provide full control of the vehicle speed under all operating conditions.

The PWR-TRON II unit is connected in between the motor and the battery. Power fed to the motor is regulated by switching the motor on and off at high speed. By adjusting the ON time with respect to the OFF time the average voltage applied to the motor can be varied. This switching is done using power transistors.

PWR-TRON II ELECTRIC VEHICLE CONTROL

FEATURES

Current Limit - Cold current limit is 290 A for PT II D.

Thermal Roll-Back - Continuous overloading will reduce the current limit progressively above 150 degrees F (65 degrees C).

Acceleration Limit - Built in acceleration ramp to prevent jack-rabbit starts (can be factory set for various applications, or may be adjustable).

Automatic Plug Braking - Built in plugging control to give smooth reversals and prevent operator injury or equipment damage with inadvertent direction changes (plugging level can be set for various applications or may be adjustable).

Bypass Enables and Time Delay - Built in circuitry give on-demand bypass (1A) facility and plugging hold-off.

Special Feature - Faulty transistor detection helps prevent vehicle runaway or dangerous starts.

Add-on Protection - Suppression diodes for the Forward/Reverse and By-pass Contactor Coils are incorporated in the PWR-TRON II unit. If the vehicle has other contactors for power steering, pumps, etc., these coils must also be suppressed by fitting a diode across them.

The PWR-TRON II unit may have a number of adjustments enabling a control to be custom set for a particular installation. The adjustments do not override any of the safety functions, hence the control unit will not be damaged by incorrect setting of the following functions:

Acceleration - The rate of acceleration can be preset by means of the ACCEL trimpot on the logic. This cannot be overridden by rapid depression of the accelerator.

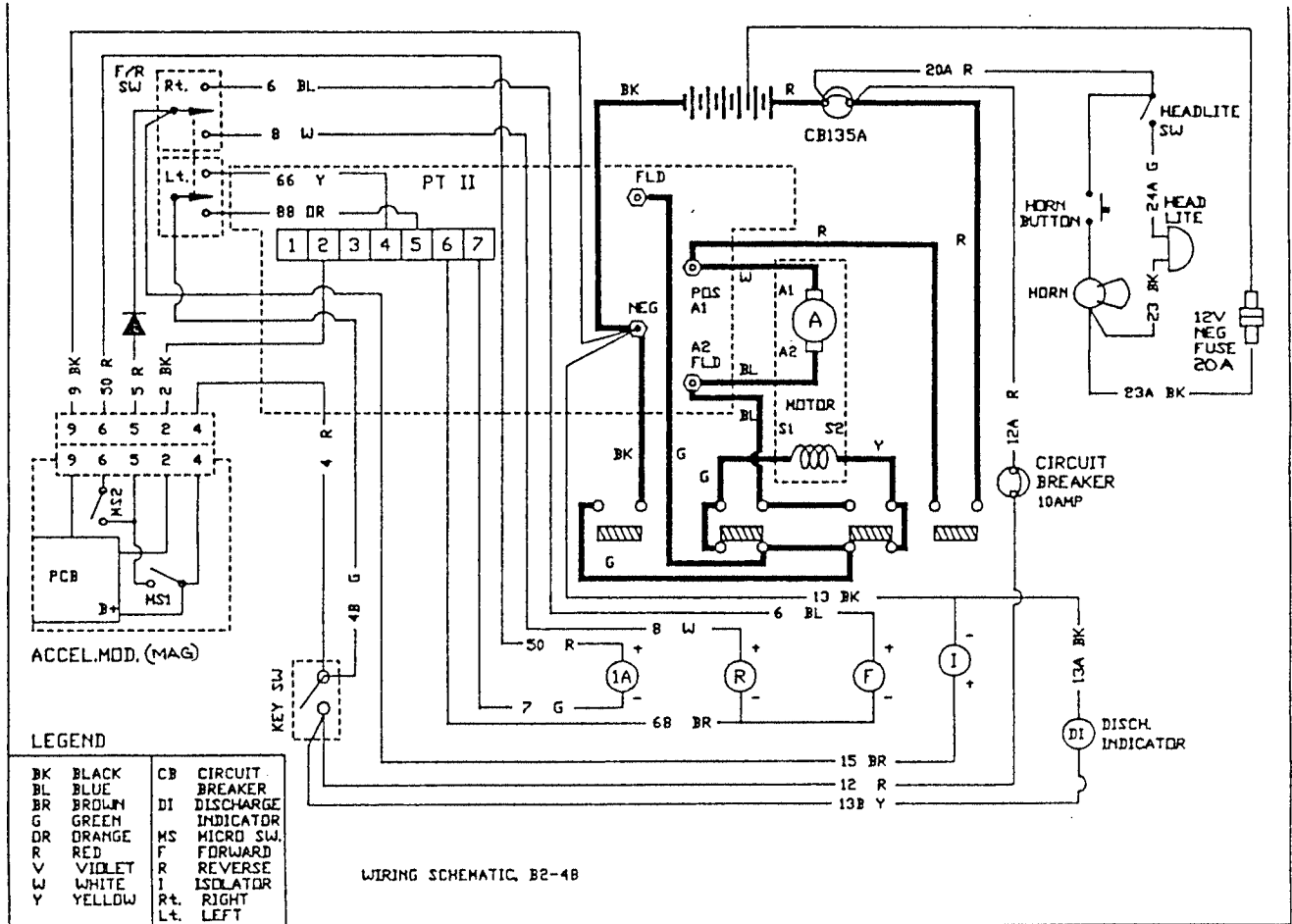
Brake - The brake control adjusts the deceleration rate in the plug braking mode. This trimmer has most effect in the high speed braking region. The braking effect at very low speeds and about the truck direction change is non-adjustable.

Volts Adjust/Low Speed - This trimmer is used to adjust for different supply voltages and when incorrectly set, will cause a delay between the operation of the accelerator and the movement of the vehicle and may cause instability during plug braking mode.

GENERAL

The PWR-TRON unit is readily accessible under the deckboard. The PWR-TRON unit performs two functions; forward-reverse and acceleration via mechanical linkage to the foot pedal. You will notice the PWR-TRON unit is a transistorized supply that regulates the voltage fed from the battery through the accelerator module to provide the necessary signal to the motor. This gives the operator full control of the vehicle at all speeds and braking under all conditions.

B 2-48 PWR-TRON WIRING SCHEMATIC
FIGURE 1



CIRCUITRY AND OPERATION

There are two circuits included in the operation of the PWR-TRON II, the control circuit and the power circuit.

The control circuit (light gauge wire) includes key switch, micro switch, MS-1; activated by the accelerator module, the PWR-TRON solid state controller, forward-reverse switch and solenoid panel.

The power circuit (heavy gauge wire) includes the batteries, forward reverse switch and motor.

The two circuits operate as follows: (See wiring schematic)
Circuits are the same for PT220 and PT290.

CONTROL CIRCUIT (See figure 1, Shown in light lines) Wire Harness 75-146-31

Forward Operation. 1) Turn key to "ON" position and move forward-reverse switch to forward position. 2) As the accelerator is depressed, a cam, MS1 closes providing a current path to the forward solenoid coil and closing forward contact on the forward-reverse solenoids. 3) The magnetic sensor on the PCB board will increase the PWR-TRON signal voltage moving vehicle forward.

Reverse Operation. 1) Turn key to "ON" position and move forward reverse switch to reverse position. 2) As the accelerator is depressed, a cam MS1 closes providing a current path to the reverse solenoid coil and closing reverse contact on the forward-reverse solenoid. 3) The magnetic sensor on the PCB board will increase the PWR-Tron signal voltage moving vehicle in reverse.

PWR-TRON II

POWER CIRCUIT (See Figure 1, shown in heavy lines) WIRE HARNESS 75-147-31

Forward operation. When the control circuit is energized and the solenoid contacts are closed current flow is then channeled through the PWR-TRON II and then to the power wiring. Motor speed is controlled by voltage output from the PWR-TRON II PCB board.

Reverse operation. The same circuit is used as forward operation except the forward-reverse switch is moved to reverse current flow through the motor.

OPERATING YOUR PWR-TRON II

To put your vehicle into operation, turn ignition key to "ON". Select direction you wish to travel by moving forward/reverse switch to desired position. Release parking brake, slowly depress accelerator pedal until vehicle is moving at desired speed.

You will notice your vehicle has a smooth transition from start to high speed operation. This is a built-in characteristic of the PWR-TRON II speed control, avoiding "jack-rabbit" starts.

"Plug braking" is an additional feature of the PWR-TRON. It is not necessary to come to a complete stop before reversing the vehicle. It is only necessary to reverse the vehicle while it is in motion and accelerator is fully depressed. The vehicle will automatically slow to an immediate stop and reverse itself to full acceleration. "Plug braking" should be done in an obstruction free area until the operator gets the feel for this maneuver. This maneuver does no damage to the PWR-TRON II. It is recommended when starting the vehicle to be sure to always turn ignition key on first then select direction of travel with the forward-reverse switch, before depressing the accelerator pedal.

PWR-TRON II PREVENTIVE MAINTENANCE

WARNING: BEFORE WORKING ON THE PWR-TRON UNITS OR ANY PART OF THE VEHICLE SYSTEM, DISCONNECT BOTH THE MAIN POSITIVE AND NEGATIVE BATTERY LEADS. PLACE THE FORWARD-REVERSE LEVER IN NEUTRAL, TURN OFF AND REMOVE KEY. ALWAYS SET PARKING BRAKE.

* No regular maintenance is required.

Be sure ignition key is on before depressing accelerator pedal. DO NOT depress pedal then turn on key. This is unsafe operation.

CAUTION:

Do not steam clean or spray with water.

Make sure all wire connection are secure.

There are three modules as part of this system, solenoid panel, accelerator module and PWR-TRON II module. These are all easily removable for replacement and service.

Only qualified service personnel should perform any replacement, adjustments or servicing of the PWR-TRON II module, solenoid panel or the accelerator module. This will avoid the possibility of voiding your warranty on the PWR-TRON 220 and 290.

When returning vehicle to pre-service configuration make certain batteries are properly connected to avoid damage.

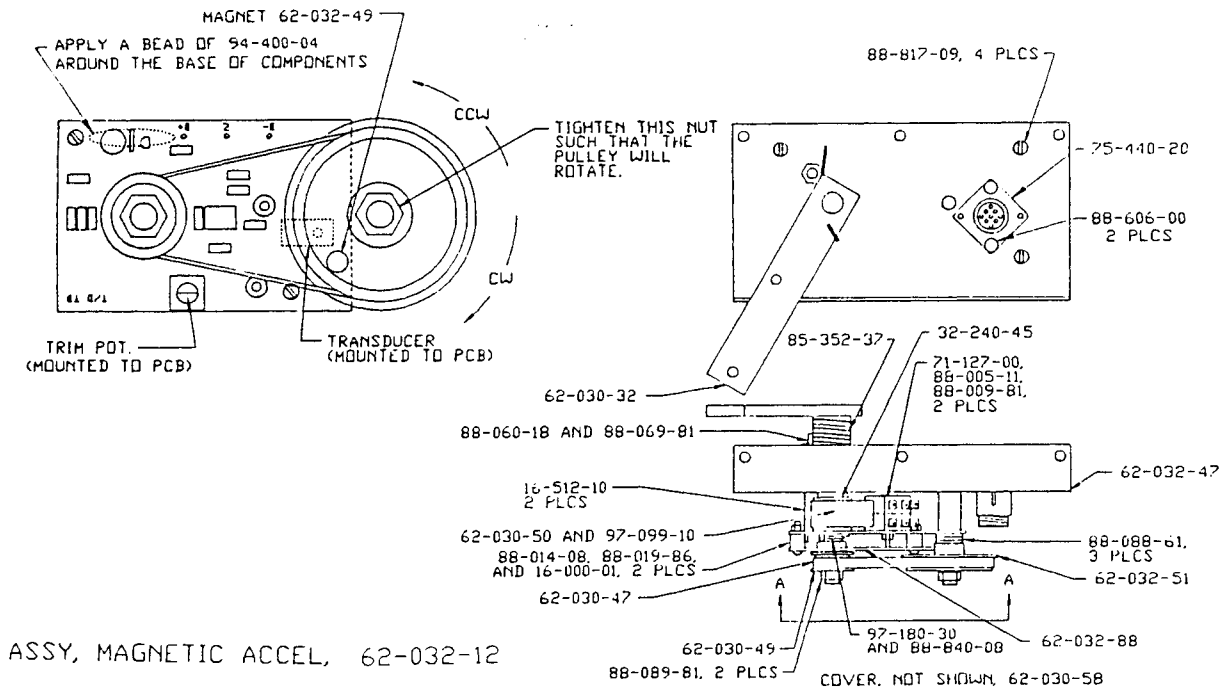
PWR-TRON II PREVENTIVE MAINTENANCE

1. REPAIR OR REPLACEMENT OF INDIVIDUAL COMPONENTS

If replacement of semi-conductors, i.e. transistors or diodes becomes necessary, the following points must be rigidly adhered. The serviceman is advised that in the event of uncertainty over repair procedures, it is better to change the complete control unit, rather than risk further damage with an improper repair.

- (a) Transistors - These are available as a factory approved spare consisting of a matched set of transistors. Only factory approved spares must be used. **Replavement of individual transistors invalidates warranty.**
- (b) Insulation - The insulation material (fibreglass reinforced teflon) must be kept absolutely clean. The electrical isolation between heatsink and baseplate must be checked with an Ohm meter after assembly. Check that the resistance is greater that 1 Megohm (1,000,000 Ohms).
- (c) Wiring - The positions of all wires and lugs should be noted and marked prior to removal so that there is no confusion on re-assembly.
- (d) Component Polarity - Transistors can be damaged by quite modest currents incorrectly applied and are destroyed by reverse currents. If replacing transistors ensure that polarity is correct.
- (e) Connections - Check all connections for tightness on completion.
- (f) Final Checks - Prior to the first switch on, **check battery polarity.** Use test light to ensure safety.

* **NOTE:** Any controllers that will be used in ambient temperature above 104 degrees F or 40 degrees C should be brought to the attention of the truck manufacturer.



ACCELERATOR MODULE
FIGURE 2

This item is a magnetic solid state module, factory adjusted. The accelerator through linkage, mounts to the accelerator pedal. Should it become necessary to adjust the accelerator, remove the accelerator from the vehicle.

CAUTION: Double Check Battery Polarity Severe damage will result if the battery polarity is reversed.

It is always good practice to use the test light (part number 62-027-00) in series with the motor, prior to initial turn on. This will indicate any abnormalities in the control. Install the light in series with the single power lead going to the transistor heatsink (labeled FLD) on the PWR-TRON II.

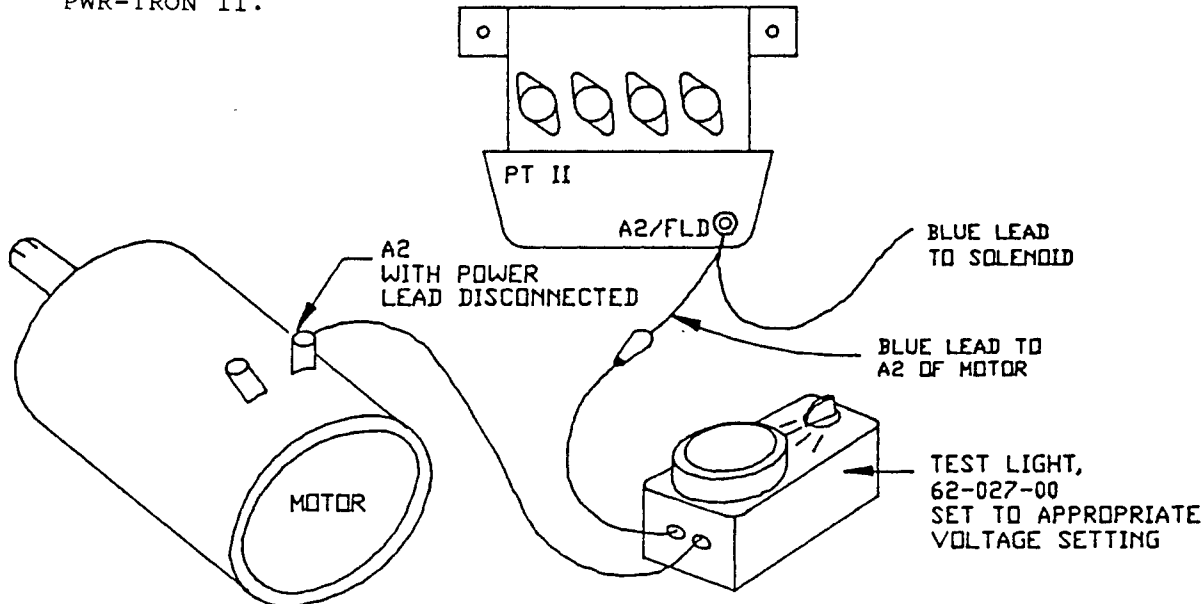


Figure 3

CONTINUITY AND POWER CHECK

NOTE: VEHICLE DRIVE WHEELS MUST BE JACKED UP OFF THE FLOOR FOR THE FOLLOWING TEST.

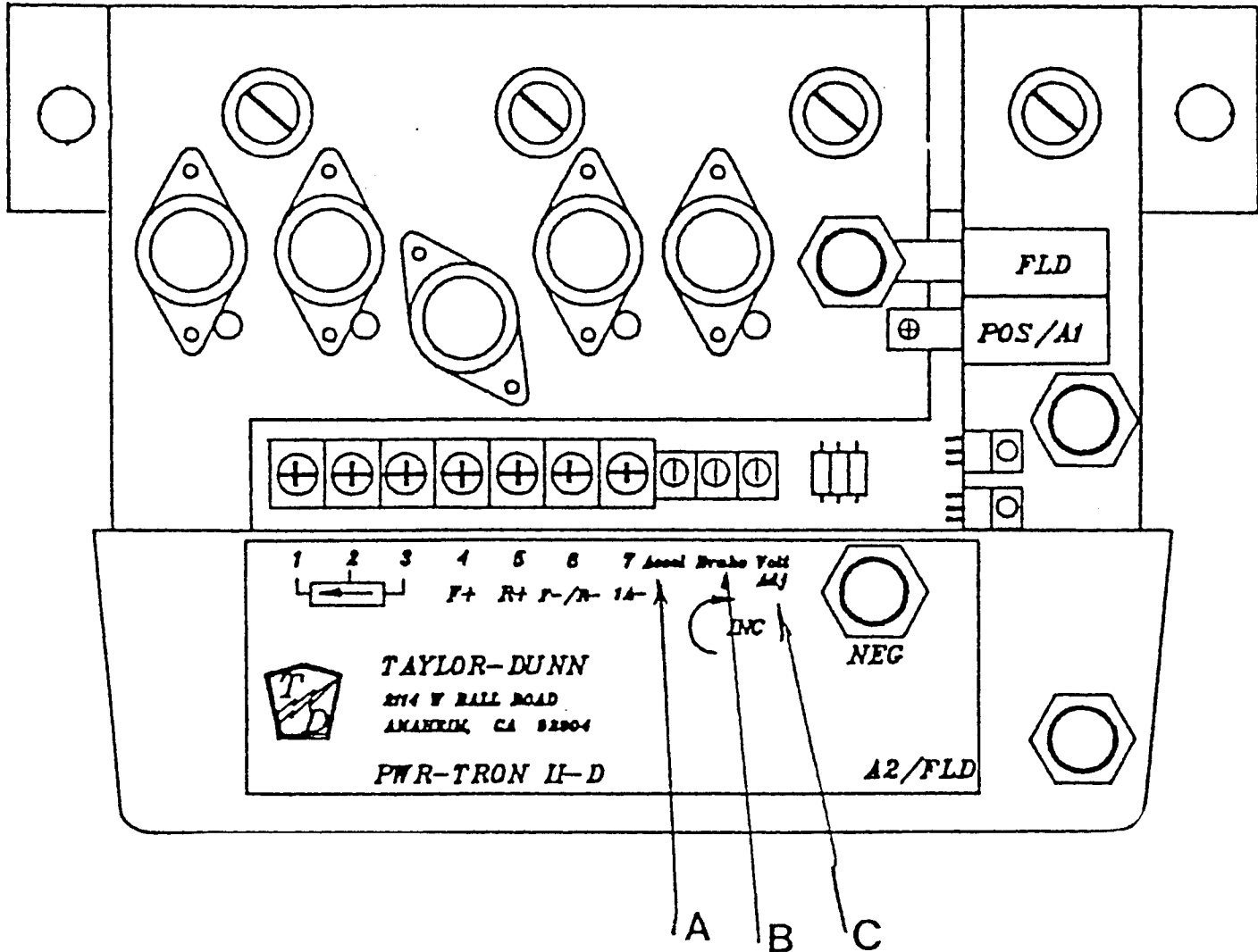
CAUTION: THIS IS A FACTORY CHECKOUT PROCEDURE AND SHOULD ONLY BE MADE BY A QUALIFIED MECHANIC.

After the PWR-TRON II system has been installed, a preliminary power check is required, prior to fine tuning of the PWR-TRON. The vehicle should be ready for basic operation at this time.

Lift blue lead at A2 (refer to Figure 1) and place test light in series with A2 and field pole on PWR-TRON II. Place forward/reverse switch in forward. Initiate accelerator slowly, light should come up to maximum brilliance at full acceleration. Repeat same step for reverse. If problems are encountered, see "Trouble Shooting" in this section. Also check acceleration rate by quickly depressing accelerator full. Light should come to full brilliance in 3 seconds. **(CAUTION, do not perform plugging with light attached).**

When both steps are completed satisfactorily, place vehicle on floor, prepared for operation and fine tuning of the PWR-TRON II unit. Proceed to the page on "Trimpot Adjustment".

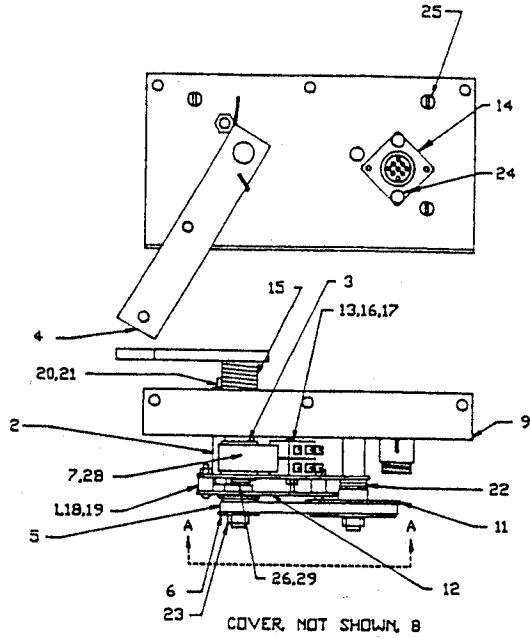
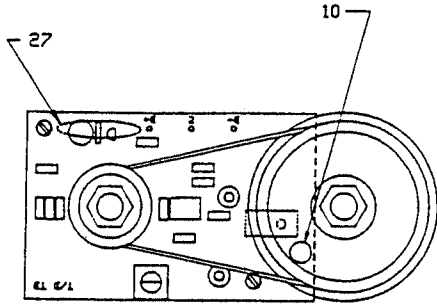
PT II D



PWR-TRON II TRIMPOT ADJUSTMENTS

- A. ACCELERATOR - Turn full direction of arrow
- B. BRAKE - Turn full opposite direction of arrow to start. Turn up 1/4 in direction of arrow.
- C. VOLTS ADJUST - Adjust trimpot so motor whines but does not turn when accelerator switch is first closed.

AFTER ALL POTS HAVE BEEN FINAL ADJUSTED, COAT POTS WITH WHITE SILICONE SEALANT.

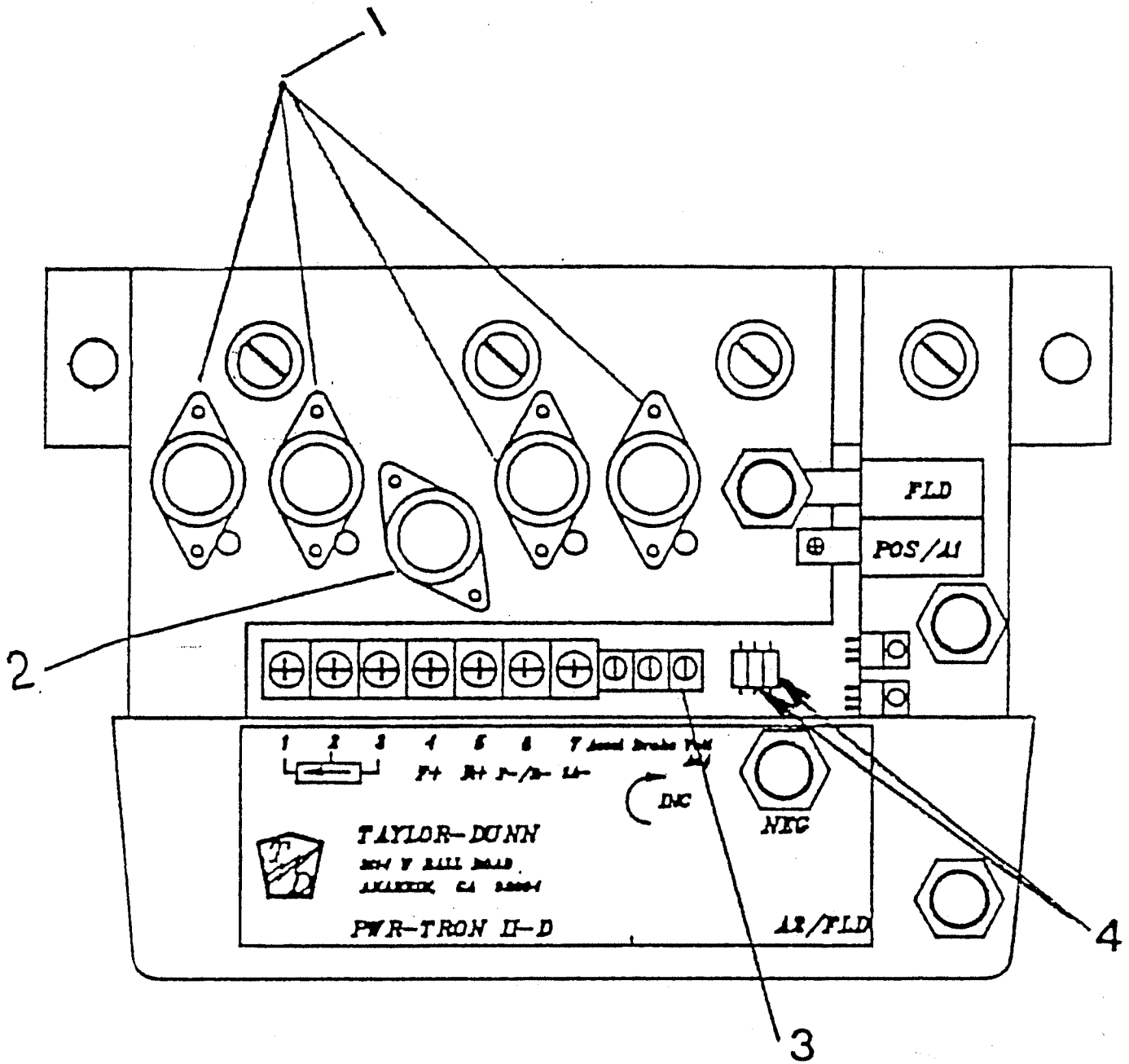


WIRE HARNESS (NOT SHOWN) 75-140-01

COLOR	FROM	TO
WHITE	PCB PAD No.2	RECEPTAL POSITION No.2
RED	MS No.1 COMMON	RECEPTAL POSITION No.4
RED	MS No.1 COMMON	PCB PAD B+
ORANGE	MS No.1 N. OPEN	RECEPTAL POSITION No.5
ORANGE	MS No.1 N. OPEN	MS No.2 COMMON
BLUE	MS No.2 N. CLOSED	RECEPTAL POSITION No.6
BLACK	PCB PAD B-	RECEPTAL POSITION No.9

ACCELERATOR (MAGNETIC) MODULE (COVER NOT SHOWN) 62-032-12

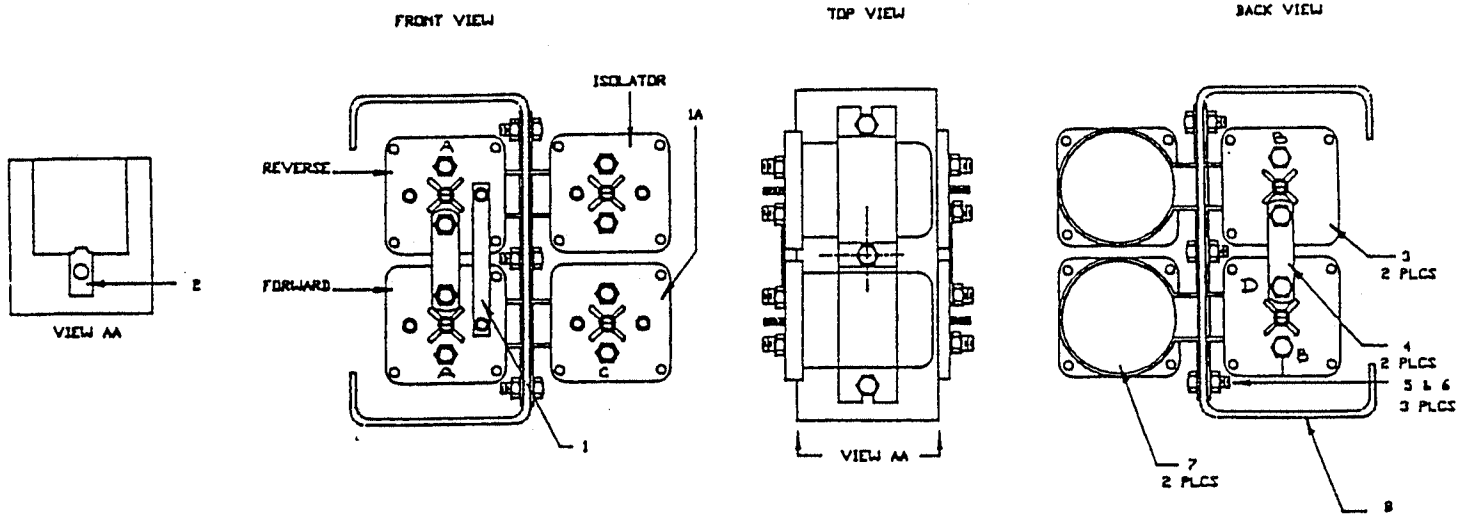
FIG.ID	T-D PART	DESCRIPTION	QTY.
1.	16-000-01	SPACER, 5/32 ID X .295 LONG	2
2.	16-512-10	SPACER, .257 ID X .405 OD X .900	2
3.	* 32-240-45	BUSHING	1
4.	62-030-32	ROTOR, ACCELERATOR MODULE B 2-48	1
5.	62-030-47	BELT, 126T, .080 PITCH	1
6.	62-030-49	PULLEY, 32T, .80 PITCH	1
7.	62-030-50	CAM, 1 INCH ROD, TWO MICROSWITCHES	1
8.	62-030-58	COVER, ACCELERATOR MODULE	1
9.	62-032-47	ASSEMBLY, PLATE, BACKING, MAGNETIC ACCELERATOR	1
10.	* 62-032-49	MAGNET, 1/4 DIAMETER X 3/8 LONG	1
11.	62-032-51	PULLEY, 80T, .08 PITCH, DRILLED	1
	62-032-55	PLATE, SUPPORT, PCB	1
12.	62-032-88	PCB, MAGNETIC ACCELERATOR, TB W/COMP	1
13.	71-127-00	SW, SNAP ACTION MINIATURE	2
	75-140-01	HARNESS, MAGNETIC ACCELERATOR MODULE	1
14.	75-440-20	RECEPTACLE, SQUARE FLANGE, 9 POS	1
	75-440-22	SEAL, RECEPTACLE, 9 POSITION AMP	1
15.	85-352-37	SPRING, TORSION, .840 ID, RIGHT	1
16.	88-005-11	4-40 X 1-1/4 TRUSS HEAD SCREW	2
17.	88-009-81	4-40 LOCK NUT	2
18.	88-014-08	6-32 X 5/8 ROUND HEAD SCREW	2
19.	88-019-86	6-32 LOCKNUT-FIBRE INSERT	2
20.	88-060-18	1/4 X 2-1/2 NC HEX HEAD SCREW	1
21.	88-069-81	1/4 NC LOCK NUT	1
22.	88-088-61	5/16 SAE WASHER	3
23.	88-089-81	5/16 NC LOCK NUT	2
24.	88-606-00	CLIP, CANOE, .125 X .16 GRIP	2
25.	88-817-09	#8 X 3/4 PAN HEAD METAL SCREW	4
26.	88-840-08	RING SNAP 1/2 EXT	1
27.	94-400-04	RTVS, FOR PCB, 2.8 OUNCE TUBE	.05
	94-400-11	ADHESIVE, INSTANT GAP FILL	.01
28.	97-099-10	KEY, WOODRUFF 1/8 X 1/2	1
29.	97-180-30	WASHER, 1/2 ID X .03 THICK	1



PARTS LIST

PWR-TRON II D, PART NO. 62-029-00

FIG. ID	T-D PART	DESCRIPTION	QTY.
1	62-029-32	POWER TRANSISTORS (4)	1 (SET)
2	62-029-31	DRIVER TRANSISTOR	1
3	69-029-31	TRIMPOT, 20 K OHM (3/8 SQUARE)	3
4	69-056-92	RESISTOR, 5.6 OHM 1/2 WATT (2)	1 (SET)



36 VOLT SOLENOID PANEL ASSEMBLY

PART NO. 72-560-32

PARTS LIST

FIG. ID	T-D PART	DESCRIPTION	QTY.
1	61-838-32	BUS-BAR, 3/8 X 3-5/8	1
2	97-213-00	CLIP, 11/16 TINNERMAN	1
3	72-501-39	SOLENOID, SPDT 36 VOLT 200 AMP	2
4	61-838-30	BUS-BAR 5/8 X 2-1/2	2
5	88-060-11	1/4 X 1 NC HEX HEAD CAP SCREW	3
6	88-069-87	1/4 NC HEX HEAD KEPS NUT	3
7	72-501-38	SOLENOID, SPST 36 VOLT 200 AMP	2
8	72-560-53	PANEL, SEALED SOLENOID	1
*	75-235-25	JUMPER (A TO B) 6 GA., 5 INCHES LONG	1
*	75-235-29	JUMPER (C TO D) 6 GA., 9 INCHES LONG	1

* NOTE: JUMPERS NOT SHOWN

TROUBLE SHOOTING

Before proceeding with any trouble shooting, read the manual; understand the basic principles of operation and be familiar with component testing and replacement procedures. The PWR-TRON II controller, when operating correctly, will emit a clear whistle, the frequency of which is related to the frequency of the ON/OFF chopper action. The pulsing of the equipment is too fast to measure with conventional equipment and the following fault procedure is based on the use of simple tools.

TOOLS AND EQUIPMENT REQUIRED

- (a) Test light, part number 62-027-00
- (b) Clip leads.
- (c) Multimeter
- (d) Accelerator module test box, part number 62-027-30.

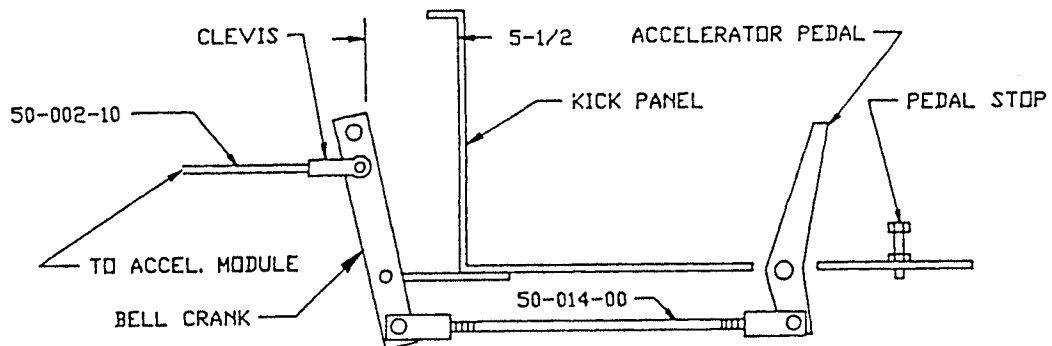
PHYSICAL INSPECTION

Check controller for physical damage, loose or broken wiring, evidence of component overheating, etc. Pay particular attention to adjustment of accelerator switch and potentiometer operation.

Prior to touching any electrical components **DISCONNECT BATTERY AND CONNECT LIGHT BULB IN SERIES WITH MOTOR ARMATURE.**

Reconnect battery as needed for carrying out any specific tests.

ACCELERATOR LINKAGE ADJUSTMENT



1. ADJUST 50-014-00 SUCH THAT THE CORNER OF THE BELL CRANK IS 5-1/2 INCHES FROM THE KICK PANEL.
2. USING A *62-027-30, ACCELERATOR MODULE TEST BOX, PLUG IN THE ACCELERATOR MODULE PIGTAIL. SET V.O.M. TO VOLT RANGE TO MAKE THE READINGS. IN THE PEDAL UP POSITION, ADJUST 50-002-10; PEDAL DOWN, ADJUST THE PEDAL STOP. ALL READINGS MUST AGREE WITH THE TABLE.

PIN POSITIONS	WIRES	V.O.M. READINGS (VOLTS)	
		PEDAL UP	PEDAL DOWN
2	BLACK #2	6.3 V	11.0 V
4	RED #4	B+	B+
5	RED #5	OV	B+
6	RED #50	OV	B+ (90% PEDAL DOWN)
9	BLACK #9	OV	OV

*Supply B+ at Pin #4, and B- at Pin #9

3. CHECK THAT THE PEDAL STOPS BEFORE THE LEVER ON THE ACCEL. MODULE RUNS OUT OF TRAVEL (IN PEDAL POSITIONS UP AND DOWN).
4. UNPLUG THE TEST PIG TAIL. PLUG IN THE VEHICLE WIRE HARNESS.

TROUBLE SHOOTING

<u>SYMPTOM</u>	<u>POSSIBLE CAUSE</u>
1. Vehicle will not reach full speed	Check that the accelerator is set up correctly and the voltage swing at logic pin 2 is correct (6.3 volts to 11 volts) Check acceleration setting on PWR-TRON II.
2. Vibration or roughness when braking	Incorrectly adjusted BRAKE TRIMPOT. See Trimpot Adjust in this section.
3. Weak and uneven braking forward and reverse.	Incorrectly adjusted BRAKE TRIMPOT. See Trimpot Adjust in this section.
4. Very strong braking	Incorrectly adjusted BRAKE TRIMPOT. See Trimpot Adjust in this section. Armature and Field connections interchanged. Armature and Field cables not independently routed back to controller.
5. Strong braking on freshly charged battery	BRAKE TRIMPOT set too high.
6. Delay between operation of accelerator and motion of vehicle	CREEP TRIMPOT not set properly.
7. Vehicle accelerates when key switch is on. No accelerator movement is necessary	CREEP TRIMPOT not set properly. Accelerator stop rest (mono directional) /center off rest position (Bi-directional) or linkages not correctly set up. Microswitch in accelerator not adjusted correctly.

TROUBLE SHOOTING

LOW OR NO MOTOR TORQUE

NO TEST VOLTAGES, FIRST PLACE TEST LIGHT IN SERIES WITH THE MOTOR.

<u>SYMPTOM</u>	<u>POSSIBLE CAUSE</u>
1. Solenoids do not operate. No voltage at solenoid coils.	Check power and control fuses. Replace if defective. Check for power at both sides of key switch. Check for power at both sides of direction switch. Check for power at both sides of brake switch. Check for flat or reversed battery.
If there is voltage at requested solenoid coil.	Check that there is no short between S2 (FIELD) and NEG, e.g. shorted transistor. Check that battery voltage is reaching terminals 4 (Forward), 5 (Reverse) as relevant.
2. Solenoid close. No power and no transistor whistle when speed is wound up.	Check circuit breaker. Battery voltage should appear at both ends of fuse. Check battery volts. Check accelerator circuit and operation of speed pot - To do this, place test light in series with the armature and wind the speed up and down with accelerator pedal. The voltage at logic terminal 2 should move from 6.3 volts to 11 volts. If it stays at 6.3 volts the fault is in the accelerator wiring. If voltage stays high, accelerator may be bad or it has lost negative lead to battery. Check motor circuit. If the voltage at S2 (FIELD) terminal is lower than B+ then examine the motor circuit for worn brushes, sticking brushes, loose cable connections, etc. Also low voltage may indicate loss across contactor (solenoid) tips. Check resistance.
3. Solenoids close, little or no power. High frequency whistle.	Check motor circuit for short circuits. Check for loose connections. Check for interchanged armature and field connections.
4. Solenoids close. Vehicle accelerates to full speed but lacks power.	Check battery voltage under load. Check voltage on transistor heatsink, S2. If low to full speed but lacks power (approx. 2 volts) when accelerating, check motor circuit. If high, check for loose connections.

TROUBLE SHOOTING

SYMPTOM

POSSIBLE CAUSE

FULL MOTOR TORQUE AVAILABLE - GENERAL FAULTS

TO TEST VOLTAGES, FIRST PLACE TEST LIGHT IN SERIES WITH ARMATURE.

- | | |
|---|---|
| 1. Solenoid closes and full speed. | Check accelerator circuit and voltage at pin 2. Should swing from 6.3 to 11 Volts with depression of accelerator. |
| 2. Unequal braking in either direction, or unequal power in each direction. | Misadjusted motor brushes. Rotate brush gear to give equal braking in each direction.
Dirty or burned direction solenoid contacts. |

TROUBLE SHOOTING

STANDARD LOGIC VOLTAGES MEASURED WITH RESPECT TO B-

TO TEST VOLTAGES, FIRST PLACE LIGHT BULB IN SERIES WITH ARMATURE.

LOGIC TERMINAL

<u>NUMBER</u>	<u>DESCRIPTION</u>	<u>CONDITION</u>	<u>VOLTAGE*</u>
1.	Speed Pot Reference	Key switch open Key switch and solenoid closed	OV ~11V
2.	Speed Pot Signal	Key switch open Key and solenoid closed, slow speed Key and solenoid closed, fast speed	OV ~6.3 V ~11V
3.	Speed Pot Reference	Key switch open Key switch and solenoid closed	OV 6V
4.	Forward Solenoid Coil Positive	Key switch closed, forward selected Key switch closed, reverse selected	B+ ~OV
5.	Reverse Solenoid Coil Positive	Key switch closed, reverse selected Key switch closed, forward selected	B+ ~OV
6.	Forward/Reverse Solenoid Coil Negative	Key switch closed, direction not selected Key switch closed, direction selected. For <.5 sec., brief rise to After .5 sec., falls back to Key switch closed, direction selected. Faulty transistor	~OV ~OV ~7V ~0 B+
7.	Bypass Solenoid Coil Negative	Key switch & direction solenoid closed. Bypass requested Key switch & direction requested solenoid closed. ** Bypass requested before 3 secs. after 3 secs.	~OV B+ ~OV
NEG.	Battery Negative	All	0
POS/A1	Battery Positive	After key switch & solenoid closed	B+
A2/FLD	Armature & Forward/Reverse Solenoid Normally Closed	Key switch & solenoid closed - Vehicle at rest Key switch & solenoid closed - Vehicle at full speed	B+ ~2V
FLD	Field, i.e. Forward/Reverse Solenoid Normally Open	Key switch open Key switch closed and solenoid open	OV B+

*B+ = Battery Positive - Voltages are measured with respect to Battery Negative.

** = This delay is set by Acceleration Trimpot.

PWR-TRON II

B 2-48 SUGGESTED SPARE PARTS LIST

T-D PART NO.	DESCRIPTION	NO. OF CARTS		
		1-20	21-50	50-UP
62-029-00	PT II D SPEED CONTROLLER	1	1	2
62-029-31	DRIVER TRANSISTOR	1	2	4
62-029-32	POWER TRANSISTOR SET	1	2	4
72-560-32	36 VOLT SOLENOID PANEL ASSY	1	1	2
72-501-38	SOLENOID, SPST 36V 200 A	1	1	2
72-501-39	SOLENOID, SPDT 36V 200 A	2	2	4
75-235-25	JUMPER, 6 GA 5 INCH LONG	1	1	2
75-235-29	JUMPER, 6 GA 9 INCH LONG	1	1	2
61-838-32	BUS-BAR 3/8 X 3-5/8	1	1	2
61-838-30	BUS BAR 5/8 X 2-1/2	1	1	2
62-032-12	ACCELERATOR, (MAGNETIC)	1	1	2
62-030-58	COVER, ACCELERATOR	1	1	2

RHEOSTAT SPEED CONTROL MAINTENANCE PROCEDURES
REFER TO FIGURE 9

The rheostat, controls the speed of your vehicle through the use of coils of nichrome resistance wire. With this type of resistance control, you use approximately the same amount of power from batteries in low speed as you do in high speed. The flat copper bars and movable J-Hook are the major parts in the rheostat. With proper adjustment and lubrication the rheostat will give many months of trouble free use. It doesn't take much grease to do the job, but it should be done weekly. Monthly the space between bars should be cleaned with a piece of wood or plastic or steam cleaned if possible. When J-Hook is worn to 1/8" thickness, replace J-Hook and power bars.

It is recommended that all terminal connections be checked and tightened at least once a month. If a terminal bolt or wire becomes loose, sufficient heat will be generated to cause permanent damage to the connection. Care should also be taken at each inspection to ensure that proper contact is maintained between J-Hook and power bars.

J-Hook and accelerator linkage should work freely allowing return spring to always return J-Hook to neutral bar when accelerator is released.

Refer to Lubrication Diagram Section 5 for proper lubrication.

RHEOSTAT SPEED CONTROL SERVICE AND ADJUSTMENT
REFER TO FIGURE 9

CAUTION: Before working on the Rheostat Speed Control Switch or any part of the vehicle electrical system, disconnect both main battery leads, place forward/reverse switch in neutral, remove switch key and apply parking brake.

ADJUSTMENT OF J-HOOK PRESSURE BAR

1. Adjust J-Hook pressure bar by disconnecting J-Hook from accelerator link and sliding J-Hook near the anchor bolt at neutral bar end. Anchor bolt is held in position by 2 nuts. Loosen 1 nut and adjust the other until J-Hook may be moved with a minimum of effort but not allowed to "jiggle" freely. At the opposite end of the pressure bar, adjust the spring pressure to maintain snug contact between J-Hook and power bars. Too much spring pressure will promote poor contact, causing burning and pitting to occur. Re-connect operating arm to accelerator link and check operation of switch. J-Hook should slide smoothly with very little noise. If noticeable clicking noises occur as J-Hook passes over power bars, it is usually indicative of poor J-Hook alignment. If necessary, bend or twist connecting strap until J-Hook contacts power bars in a flat and smooth manner.

CAUTION: Every time adjustments are made to rheostat switch, always check the operation of the accelerator pedal. The J-Hook MUST return completely to neutral bar when pedal is released from any position. Lubricate as outlined in Section 5.

ADJUSTMENT OF J-HOOK TRAVEL

1. Adjust rheostat J-Hook by depressing accelerator pedal to floor and checking alignment of J-Hook with the 5th power bar. J-Hook and 5th power bar should be in exact alignment with full contact. If J-Hook does not line up properly, adjust accelerator control rod length by loosening lock nut and removing cotter pin and clevis pin. If J-Hook does not travel far enough onto the 5th power bar, turn clevis to lengthen rod sufficiently for correct alignment. Adjust clevis in the opposite direction, shortening rod if J-Hook is traveling too far past the 5th power bar.

RHEOSTAT SPEED CONTROL SERVICE AND ADJUSTMENT (continued)
REFER TO FIGURE 9

ADJUSTMENT OF J-HOOK TRAVEL (continued)

Note: Each 1/2 turn of clevis will move J-Hook position approximately 1/16".

REPLACEMENT OF J-HOOK

1. With power disconnected, remove 2 bolts attaching J-Hook to connection strap.
2. Slide J-Hook to full on position and open pressure bar by pulling against spring pressure.
3. Roll J-Hook out from between pressure bar and power bars.
4. Replace J-Hook following reverse procedure.

REPLACEMENT OF RHEOSTAT SWITCH

1. Note location of wires connected to switch and mark accordingly, to ensure their return to original location on re-assembly.
2. Remove wires at respective terminals.
3. Remove bolts connecting J-Hook insulator to operating link.
4. Remove 3 bolts holding switch to bracket and remove switch.
5. Replace switch in the reverse manner to which it was removed.
6. Check and adjust rheostat switch as outlined above.

REPLACEMENT OF POWER BARS

1. With power disconnected, remove terminal bolt and holding bolts.
2. Slide bar out of rheostat.
3. Clean switch thoroughly and install new bar.

NOTE: Power bars tend to wear at the same rate, except when 1 bar may become excessively burned because of poor contact. When replacing with new power bars, it is important that all bars be of the same thickness. Binding and sticking will occur when bars are not of uniform thickness.

It is recommended that power bars be replaced as a set rather than individually to avoid the above condition.

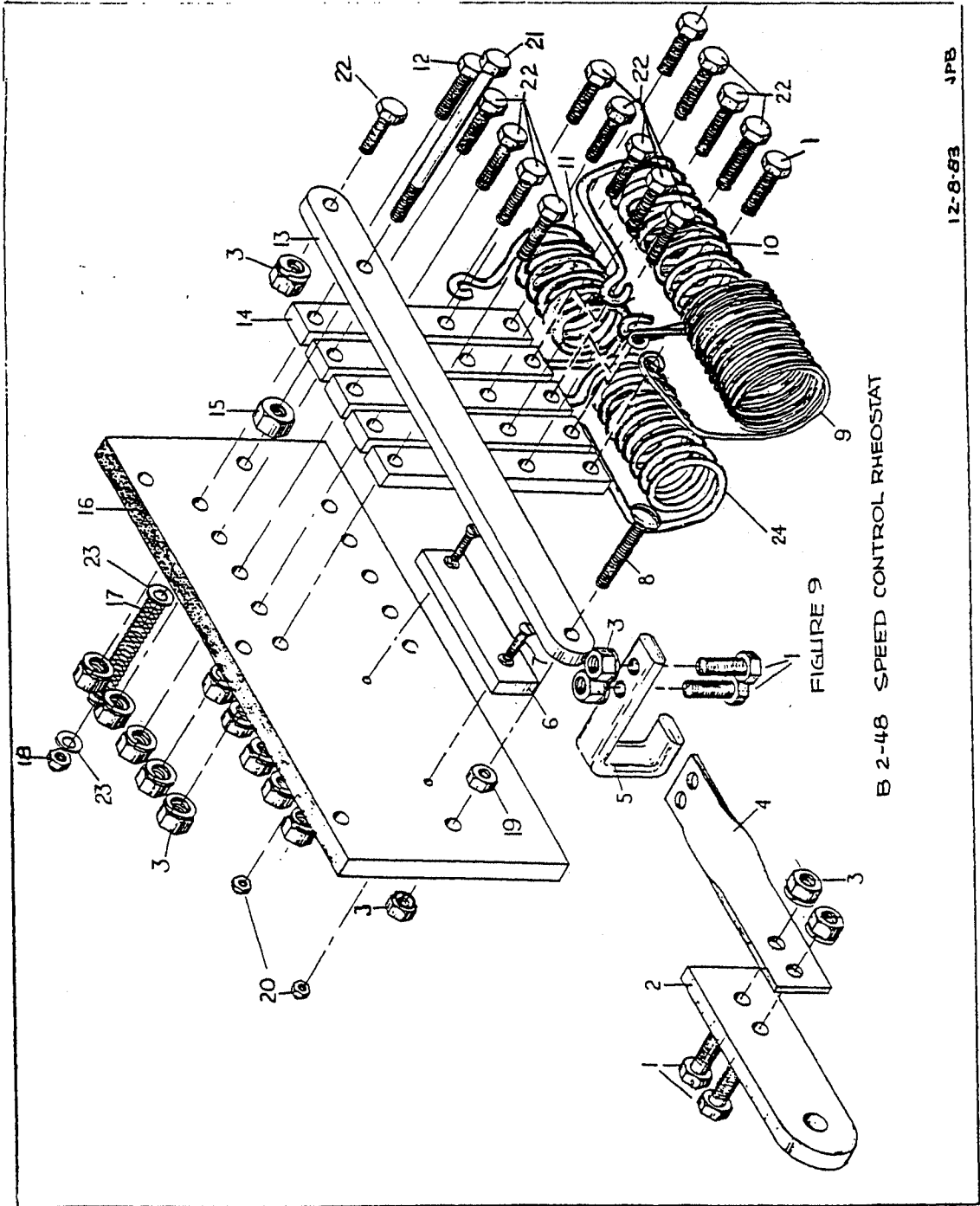
Minor high points may be removed with a file to produce smooth switching action.

4. Follow adjustment procedures previously outlined.

ADJUSTMENT OF DASHPOT ASSEMBLY

Refer to Section 14 and Figure 7.

B 2-48 5 SPEED CONTROL RHEOSTAT
FIGURE 9



B 2-48 SPEED CONTROL RHEOSTAT

FIGURE 9

12-8-63 JPB

RHEOSTAT 5 SPEED CONTROL
REFER TO FIGURE 9

FIG. I.D. NO.	T-D PART NO.	DESCRIPTION	QTY. REQ.
9-0	61-832-10	Sliding Bar J-Hook Assembly	1
	61-837-15	Sliding Bar Rheostat Assembly with Coils, less J-Hook Assembly	1
9-1	88-060-09	Hex Head Cap Screw 1/4" NC x 3/4"	4
9-2	61-834-00	Insulating Board	1
9-3	88-069-87	Fastite Nut 1/4" NC	21
9-4	61-833-00	J-Hook Twisted Strap (4-1/2" Long)	1
9-5	61-832-00	Sliding J-Hook	1
9-6	61-835-15	Neutral Bar (5 Speed)	1
9-7	88-026-10	Flat Head Machine Screw 8-32 x 7/8"	2
9-8	88-065-14	Truss Head Machine Screw 1/4" NC x 1-1/2"	1
9-9	78-212-51	Resistor Coil (#9 Wire 10 Turns)	1
9-10	78-212-52	Resistor Coil (#6 Wire 9 Turns)	1
9-11	78-212-52	Resistor Coil (#5 Wire 6 Turns)	1
9-12	88-060-13	Hex Head Cap Screw (1/4" NC x 1-1/2") (Terminal Bolt)	1
9-13	61-836-00	Pressure Bar	1
9-14	61-831-00	Power Bar	5
9-15	88-109-80	Nut, 3/8" NC (Hex)	1
9-16	61-837-00	Mounting Board	1
9-17	85-034-00	Spring-Compression 7/16" OD x 2"	1
9-18	88-069-81	1/4" NC Lock Nut	1
9-19	88-069-80	Nut 1/4" NC (Hex)	1
9-20	88-029-86	Flexlock Nut 8-32	2
9-21	88-060-22	Hex Head Cap Screw 1/4" NC 3-1/2	1
9-22	88-060-11	Hex Head Cap Screw 1/4" NC x 1	13
9-23	88-068-60	Washer 1/4" Flat	2
9-24	78-212-62	Resistor Coil (#8 Wire 8 Turns)	1

MAINTENANCE PROCEDURES FORWARD/REVERSE SWITCH
REFER TO FIGURE 8

The forward/reverse switch on your vehicle serves the same purpose as does the transmission in your automobile. It should be treated with the same respect, for abusive treatment will not only shorten its life but will seriously effect the life of the motor, drive gears and differential.

DO NOT SHIFT POSITION OF SWITCH FROM FORWARD TO REVERSE OR VICE-VERSA WHILE VEHICLE IS IN MOTION. REFER TO CAUTION NOTE, SECTION 3.

It will require very little maintenance if properly used. Every month check contact fingers and rotor contacts for cleanliness and to ensure that they are making snug and even contact. If they show evidence of abnormal pitting or burning they should be replaced.

Refer to Service and Adjustment, in this section for replacement procedures.

It is recommended that an occasional small quantity of lubricant be placed on the cam and cam follower of the switch. Refer to Figure 8.

An occasional application of powdered graphite or similar key lock lubricant will keep your key and lock in good working order.

CAUTION: Before working on the Forward/Reverse Switch or any part of the electrical system disconnect both main battery leads, place Forward/Reverse Switch in Neutral, remove switch key and apply parking brake.

CAUTION: Whenever service work is to be conducted on the switch or any part of your vehicle wiring system, disconnect both main battery leads or unplug power leads on vehicles so equipped.

REMOVAL, DISASSEMBLY AND RE-ASSEMBLY OF SWITCH

1. Remove handle screw in center of handle and then remove handle and spacer.
2. Remove 2 screws in center of face plate, this will release switch unit from frame. Then lift switch unit clear of frame noting that the end plate will be free to lift off of switch.
3. Remove cover.
4. If you wish to remove contact fingers or finger-boards at this time, then it will be necessary to follow steps 5-6-8 & 9. If you will only be servicing the rotor assembly it will not be necessary to remove wires.
5. Note position of wires and mark their respective locations to ensure that they will be properly placed on re-assembly.
6. Remove 4 wires from switch terminals and slide out of switch housing.
7. Pull cam follower away from cam on rotor and lift rotor assembly from switch housing.
8. If you wish to replace finger-boards at this time, tap them out of their slots in the direction of the handle end of switch taking care to catch the wedges as they come free of the frame.
10. Inspect cam and spring. If necessary replace with new parts.

SERVICE AND ADJUSTMENT FORWARD / REVERSE SWITCH (continued)
REFER TO FIGURE 8

11. Remove nut on end of rotor shaft and dis-assemble spacers and rotor contacts. NOTE: It is very important to observe the position of each part as you remove it from rotor shaft to ensure its proper re-assembly. The rotor contacts look similar but are actually a pair consisting of a left and a right contact.
12. Re-assemble rotor parts on rotor shaft in their proper order and lock into place by tightening 1/4" nut at end of shaft. Use care in tightening nut as undue strain could shear the locking ring on opposite end of shaft.
13. Install rotor assembly into frame moving cam follower enough to allow cam to set in position.
NOTE: It will ease the rotor installation if you will place it in neutral position. For example, the contacts will be free from finger contacts and the low side of cam will engage cam follower.
14. Install wires onto their respective terminals and tighten securely.
15. Replace cover.
16. Replace end plate and slide switch unit back into place against face plate.
17. Replace 2 screws. It may be necessary to exert sufficient pressure and joggle switch unit into alignment with screw holes as cam spring tends to hold the switch out of position. A simple method to align the face plate and switch frame together, is to slip a medium size nail or ice pick into one hole through both pieces. Align second hole, insert screw, and tighten. Remove nail or ice pick from first hole and install screw and tighten.
18. Replace spacer and handle and tighten into position with center screw.

REPLACEMENT OF CONTACT FINGERS ONLY

1. Remove cover. (Note: On some vehicles it will be necessary to remove switch from mounting plate to gain access to cover.)
2. If you will be removing more than one finger at a time, it is recommended that you note the position of the wires and mark their respective locations.
3. Remove terminal nut and wire.
4. Remove nut holding finger to finger-board and remove finger.
5. Install new finger and replace nuts and wires in the reverse order to which they were removed.

B 2-48 FORWARD/REVERSE SWITCH, 71-040-00
FIGURE 8

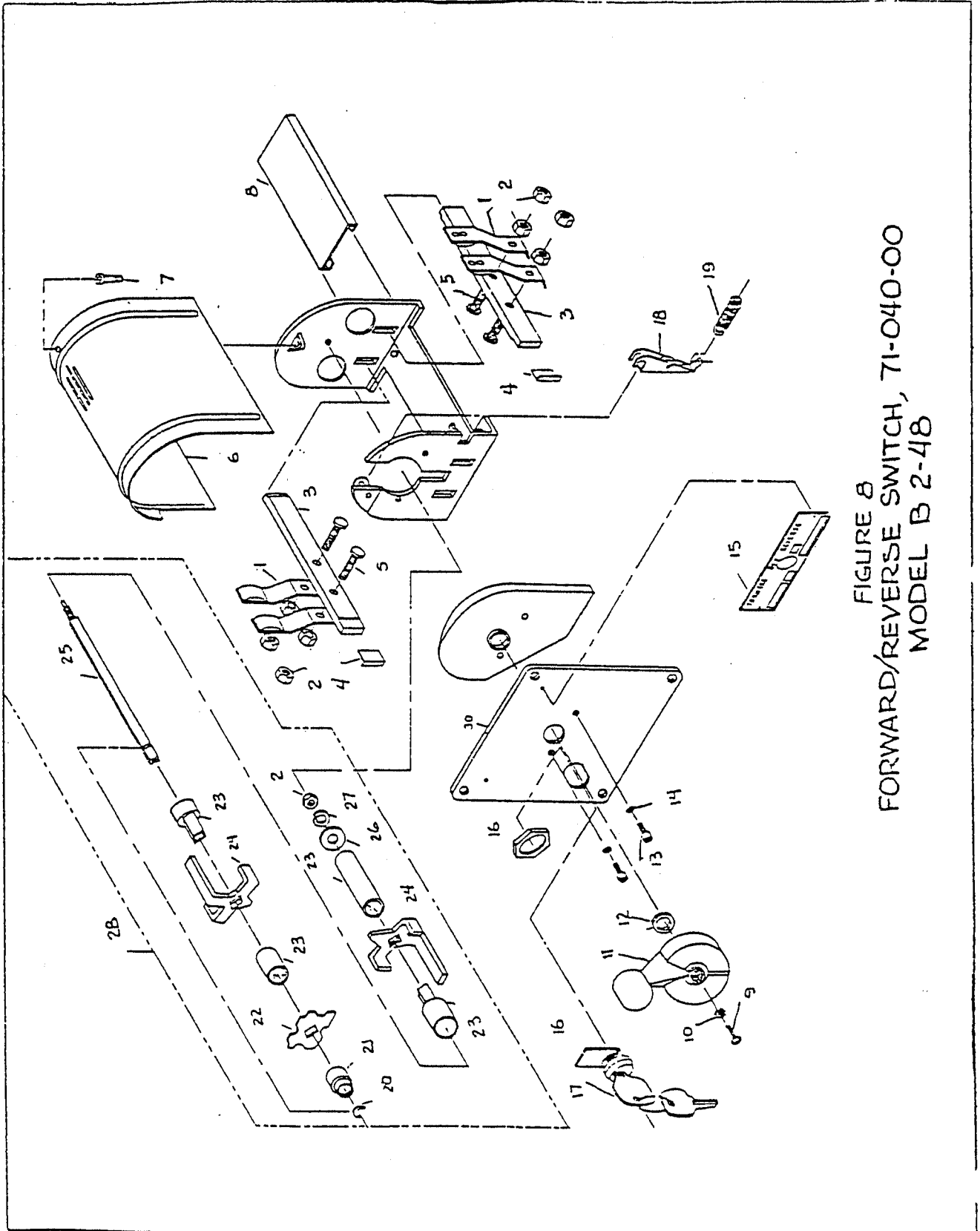


FIGURE 8
FORWARD/REVERSE SWITCH, 71-040-00
MODEL B 2-48

FORWARD AND REVERSE SWITCH
REFER TO FIGURE 8

FIG. I.D. NO.	T-D PART NO.	DESCRIPTION	QTY. REQ.
8-0	71-040-00	Forward & Reverse Switch Complete (4 Fingers)	1
8-1	71-040-60	Switch Finger - Silver Plated with 1/4" Hole	4
8-2	88-079-80	Nut 1/4" NF (Hex)	9
8-3	71-040-61	Finger Board with 1/4" Holes	2
8-4	71-040-69	Finger Board Wedge	2
8-5	71-040-41	Bolt-Finger Mounting (1/4" NF x 7/8" Spec)	4
8-6	71-040-65	Switch Cover	1
8-7	71-040-73	Cover Screw (10-32 x 1/2" Filister Head	1
8-8	71-040-70	Rubber Insulator Strip	1
8-9	71-040-78	Extension Tube - 11/16 OD x 5-1/2"	1
8-9	71-040-80	Extension Rod - 8-32 x 6-1/4" Long	1
8-9	71-040-84	Screw 8/32 x 1/2" Truss Head	1
8-10	71-040-83	Washer 8-32 (External Star Lock)	1
8-11	71-040-62	Switch Handle - Metal (red color)	1
8-11	71-040-77	Switch Position Indicator	1
8-12	71-040-59	Spacer Washer	1
8-13	71-040-72	Face Stop Bolt (10-32 x 3/8 Spec.)	1
8-14	88-048-62	Lock Washer 10-32	2
8-15	94-350-00	Forward-Reverse Switchplate	1
8-16	71-040-55	Lock Assembly with 2 Keys	1
8-16	71-040-81	Tubular Lock Assembly with 2 Keys	1
8-17	71-040-74	Key Only (five no. of lock or vehicle serial no.)	2
8-18	71-040-53	Cam	1
8-19	71-040-54	Spring (cam)	1
8-20	71-040-75	Snap Ring - 1/4"	1
8-21	71-040-68	Bushing	1
8-22	71-040-67	Cam Index	1
8-23	71-040-66	Plastic Spacer Set (sold only as a set of 4 pieces)	1
8-24	71-040-58	Rotor Contacts (set of 2-1 Right & Left)	1
8-25	71-040-64	Rotor Shaft (Only)	1
8-26	88-068-61	Washer SAE	1
8-27	88-068-62	Lock Washer 1/4"	1
8-28	71-040-52	Face Plate	1
8-30	71-040-20	Kit Conversion to Six Finger Switch	1

MAINTENANCE PROCEDURES
ELECTRICAL SYSTEM COMPONENTS

Your electrical system has been installed with care, utilizing quality materials for safe trouble free service. Proper fuses have been located where necessary to prevent unsafe overloads and protect the wiring from being damaged from short circuits.

Little care will be required, except for an occasional visual inspection for loose connections or some unusual condition causing the insulation to be rubbed off on a wire.

Normal replacement parts such as light bulbs, fuses, flashers, etc., have been arranged for simple changing by plug in devices or conveniently located terminals.

CAUTION: A blown fuse is usually indicative of a short circuit or faulty device. Care should be exercised to remove the faulty condition before replacing fuse. DO NOT place larger capacity fuses or 'jumpers' to overcome the condition as serious wiring damage can occur.

Refer to the following sections for more detailed information on the main power and electrical components:

- Section 7 - Wiring Diagram
- Section 11 - Motor
- Section 16 - Speed Control and Main Power Switching
- Section 15 - PWR-TRON II
- Section 19 - Batteries & Charger

Refer to the following page for a listing of electrical parts.

ELECTRICAL SYSTEM COMPONENTS

T-D PART NO.	DESCRIPTION	QTY. REQ.
71-070-00	Heavy Duty Toggle Switch 3 Pole/2 Throw (Hi-Lo Switch)	1
71-100-00	Light Switch	1
71-110-00	Brake Light Switch (Hydraulic Operated)	1
71-141-00	Turn Indicator Switch, 7 Wire	1
71-501-00	Horn Button	1
71-607-00	Switch Console	1
71-900-05	Flasher (12 Volt)	1
72-005-00	Chrome Headlight Fixture (Optional), 12 V with 4" Sealed Beam Bulb	1
72-022-00	Stop and Taillight fixture, 4" Rubber Mount (12 Volt)	2
72-051-00	Turn Light Fixture, (12 Volt) Amber, 4" Rubber Mount	2
73-004-00	Horn (12 Volt)	1
74-000-00	Hour Meter	1
74-050-00	Windshield Wiper Motor	1
74-051-00	Windshield Wiper Arm	1
74-052-00	Windshield Wiper Blade	1
74-050-61	Kit, Hardware Only For Windshield Wiper Mounting	1
75-126-11	Wire Harness, Control Only for EV1A SCR System	1
75-013-00	Wire Harness for Switch Console Including Light and Horn	1
75-127-11	Wire Harness, Power Only, for EV-1A SCR System	1
75-114-00	Wire Harness for Turn Signal and Stop Light	1
75-204-00	Wire #4, Black (Per Foot)	
75-208-00	Wire #8, Black (Per Foot)	
75-218-00	Wire #16, Black (Per Foot)	
75-404-53	Terminal Lug #4 Wire 1/4" Hole	
75-404-54	Terminal Lug #4 Wire 5/16" Hole	
75-408-52	Terminal Lug #8 Wire 3/16" Hole	
75-408-53	Terminal Lug #8 Wire 1/4" Hole	
75-408-54	Terminal Lug #8 Wire 5/16" Hole	
75-418-51	Terminal Lug #16 Wire #6 Hole	
75-418-52	Terminal Lug #16 Wire 3/16" Hole	
75-418-53	Terminal Lug #16 Wire 1/4" Hole	
75-418-54	Terminal Lug #16 Wire 5/16" Hole	
75-420-00	Terminal, #16 Wire (For Hydraulic Stop Light Sw.)	2
75-421-00	Terminal, #16 Wire (For Mechanical Stop Light Sw.)	2
75-424-00	Terminal, #16 Wire (For Horn Connection)	2
76-352-00	Receptacle - Flasher - Cole Hearsee #3029	1
78-010-00	Secondary Circuit Fuse Holder (Inline) 20 to 30 Amp	1
74-009-00	Indicator, Charge, 36 Volt	1
74-009-10	Indicator, Charge, 24 Volt	1

ELECTRICAL SYSTEM COMPONENTS

T-D PART NO.	DESCRIPTION	QTY. REQ.
71-070-00	Heavy Duty Toggle Switch 3 Pole/2 Throw (Hi-Lo Switch)	1
71-100-00	Light Switch	1
71-110-00	Brake Light Switch (Hydraulic Operated)	1
71-141-00	Turn Indicator Switch, 7 Wire	1
71-501-00	Horn Button	1
71-607-00	Switch Console	1
71-900-05	Flasher (12 Volt)	1
72-005-00	Chrome Headlight Fixture (Optional), 12 V with 4" Sealed Beam Bulb	1
72-022-00	Stop and Taillight fixture, 4" Rubber Mount (12 Volt)	2
72-051-00	Turn Light Fixture, (12 Volt) Amber, 4" Rubber Mount	2
73-004-00	Horn (12 Volt)	1
74-000-00	Hour Meter	1
74-050-00	Windshield Wiper Motor	1
74-051-00	Windshield Wiper Arm	1
74-052-00	Windshield Wiper Blade	1
74-050-61	Kit, Hardware Only For Windshield Wiper Mounting	1
75-126-11	Wire Harness, Control Only for EV1A SCR System	1
75-013-00	Wire Harness for Switch Console Including Light and Horn	1
75-127-11	Wire Harness, Power Only, for EV-1A SCR System	1
75-114-00	Wire Harness for Turn Signal and Stop Light	1
75-204-00	Wire #4, Black (Per Foot)	
75-208-00	Wire #8, Black (Per Foot)	
75-218-00	Wire #16, Black (Per Foot)	
75-404-53	Terminal Lug #4 Wire 1/4" Hole	
75-404-54	Terminal Lug #4 Wire 5/16" Hole	
75-408-52	Terminal Lug #8 Wire 3/16" Hole	
75-408-53	Terminal Lug #8 Wire 1/4" Hole	
75-408-54	Terminal Lug #8 Wire 5/16" Hole	
75-418-51	Terminal Lug #16 Wire #6 Hole	
75-418-52	Terminal Lug #16 Wire 3/16" Hole	
75-418-53	Terminal Lug #16 Wire 1/4" Hole	
75-418-54	Terminal Lug #16 Wire 5/16" Hole	
75-420-00	Terminal, #16 Wire (For Hydraulic Stop Light Sw.)	2
75-421-00	Terminal, #16 Wire (For Mechanical Stop Light Sw.)	2
75-424-00	Terminal, #16 Wire (For Horn Connection)	2
76-352-00	Receptacle - Flasher - Cole Hearsee #3029	1
78-010-00	Secondary Circuit Fuse Holder (Inline) 20 to 30 Amp	1
74-009-00	Indicator, Charge, 36 Volt	1
74-009-10	Indicator, Charge, 24 Volt	1

BATTERY MAINTENANCE PROCEDURES

WARNING: Lead acid batteries continuously emit highly explosive gases. Flame or sparks must be kept away from the batteries at all times.

This emission is greatly increased during the charging process. Any area in which charging batteries are confined must be well ventilated, and flame or sparks must be kept out of the charging area and away from ventilator opening. DO NOT disturb battery connections while batteries are being charged.

The lead acid battery (or batteries) will furnish all power required by your vehicle. Two types are generally employed. The electric vehicle type battery pack, commonly used, can be expected to have a life of approximately 2 years, or 350 to 400 cycles. One cycle is the discharging and charging of the battery within proper limits. The heavy duty industrial type of battery has a life of approximately 7-1/2 years, or 1800 cycles, with appropriate use and care.

It cannot be over emphasized how important good maintenance procedures and careful care of your batteries will affect their useful life. It is therefore recommended that a comprehensive maintenance program be established and adhered to throughout the life of your vehicle. A 5 point program is outlined below to assist you in understanding and establishing good battery care.

1. **CORRECT CHARGING:** Poor charging practices are responsible for more short battery life than any one other item. The charging equipment must be properly maintained and adjusted to give a charge which the battery will accept with maximum efficiency. Two things are involved in correct charging. These are the charging rate in amperes and the termination of the charge at the correct time. No amount of overcharging will increase the battery capacity or raise the specific gravity above its full charged condition.

Overcharging will reduce battery life. Undercharging will cause poor vehicle performance, and shorten the life of all electrical components, including the batteries. Refer to Service Adjustment in this section for proper methods to determine charge condition.

2. **DISCHARGING - CAPACITY:** Batteries are commonly rated in ampere hours at the six hour discharge rate to final voltage of 1.75 per cell. They will deliver additional capacity in an emergency, but should not be required to do so regularly. The best way to avoid discharging is to prepare a rigid schedule for charging batteries which will ensure against their being discharged beyond the limits of their capability.
3. **WATERING:** Water must be replaced from time to time. The frequency and quantity depends upon the watering space above the plates and the amount of gassing which the battery does on charge. Only approved or distilled water should be added to the battery. Water should be added after hydrometer or voltmeter readings have been taken. The liquid level within the battery raises as the gassing occurs. Thus filling after charging minimizes overfilling. However, the water level should cover the plates prior to charging.
4. **CLEANING:** Batteries pick up various kinds of dirt and dust, depending on their surroundings and the type of service to which they are subjected. This is usually dry dirt, which can readily be blown off with low pressure air or brushed off. However, if cells are overfilled and electrolyte collects on the covers, the top of the battery becomes wet and stays wet, since the acid in the electrolyte does not evaporate. This moist surface in combination with certain kinds of dirt becomes electrically conductive and permits stray currents to flow externally over the top of the battery. These currents cause corrosion of cell posts, nuts, connectors and steel trays, which eventually become troublesome and expensive to repair.

BATTERY MAINTENANCE PROCEDURES (continued)

When wet dirt accumulates on top of the battery, remove it by washing the battery with a strong solution of baking soda and hot water (1 lb. of soda to 1/2 gallon of water). A convenient brush to use is one having flexible bristles like an old paint brush. Continue the application of the soda solution until all fizzing stops, which indicates that the acid has been neutralized. Then rinse thoroughly with clear water.

Wet covers can be an indication of overfilling, leaky seals at posts and covers or of excessive gassing during charge. When observed the cause should be determined and the abusive conditions corrected.

5. RECORDS: A battery record system is recommended for all vehicles. It is considered essential for large operations, and where minimum battery operating cost is desired. A properly supervised record system can be made to detect and call attention to such operating irregularities as:
 - a. Overcharging
 - b. Undercharging
 - c. Overdischarging
 - d. Excessive Water Consumption
 - e. Cleanliness
 - f. Worn Out Batteries
 - g. Excessive Current Consumption on Trucks

It is not advisable to allow a battery to stand for a long period of time in a low state of charge. Doing so subjects the battery to excessive plate erosion and in cold climate conditions the electrolyte will freeze at temperatures near 60 degrees below zero. Yet a battery in a very low state of charge may freeze at temperatures around 10 to 15 degrees above zero.

A battery not in use maintains small amounts of chemical action which slowly tends to dissipate the charged conditions. It is wise to re-charge a battery not in use every 1 to 2 months. If possible store the battery in a cool place, as the self discharge rate is increased with warmer temperatures.

BATTERY MAINTENANCE RECORD

VEHICLE NO.

Battery No.	Cell No.	Date			Date			Date		
		Water OK or Low	Gravity Before Charge	Gravity After Charge	Water OK or Low	Gravity Before Charge	Gravity After Charge	Water OK or Low	Gravity Before Charge	Gravity After Charge
1	1									
	2									
	3									
2	1									
	2									
	3									
3	1									
	2									
	3									
4	1									
	2									
	3									
5	1									
	2									
	3									
6	1									
	2									
	3									

- CAUTION:** Batteries emit explosive gases. During normal operation the concentration of these gases is rarely sufficient to be considered dangerous unless flame or sparks occur in the battery compartment close to the vent holes in the battery caps. It is important that this not be allowed to occur at anytime. During the charging process, emissions are greatly increased. Any area in which charging batteries are confined must be well ventilated, and flame, sparks or lighted cigarettes must be kept out of the charging area and away from ventilator openings associated with the charging area. Battery connections must not be disturbed while batteries are being charged.
- Do not fill an uncharged battery. Bring water level up to just cover the plates, and complete filling after battery is fully charged. Use distilled water. Fill only to level indicated on battery.
- Batteries which require unusually frequent watering may indicate overcharging. Review charging practices and/or adjustment of transformer taps in charger.
- Gravity should be kept between 1175 (30% charged) and 1290 (100% charged), and gravity readings of all cells should be within 10 point range. When they are not, an equalizing charge should be applied. Refer to information under "Charging Time Chart" in Charger Handbook.
- Periodically check for loose terminal posts or loose connections to terminal posts, but not while batteries are being charged.
- Keep tops of batteries clean, and free of moisture, grease, and acid films. Any of these can cause current leakage.
- Keep weekly (or oftener) record as shown in sample chart, for a new vehicle or when charging results seem unsatisfactory, until satisfactory charging continues for a four week period, then keep record on a monthly basis.

BATTERIES AND CHARGER ACCESSORIES

T-D PART NO.	DESCRIPTION	QTY.
74-005-00	Charger Indicator (12 Volt - Push to Test	1
75-231-00	Battery Jumper #6 Wire (10-1/4" Long)	5
75-234-00	Battery Jumper #6 Wire (18-1/2" Long)	1
75-240-00	3 Prong Plug and Cord (For Lift-Out and Roll-out Battery Boxes)	1
75-241-00	3 Prong Receptacles for Plug and Cord	1
76-013-00	Charging Receptacle, 30 Amp, 3 Prong	1
76-020-00	Charging Receptacle and Plug, Anderson Type SB #6313 175 Amp	1 or 3
77-048-00	6 Volt, 250 A.H. Battery	6
77-200-00	Hydrometer	1
77-201-00	Battery Filler	1
77-904-00	Battery Hold Down Channel (Roll-out Battery Box)	1 or 2
77-965-00	Battery Box Dolly (For Roll-Out Battery Box)	1 or 2
77-969-00	Battery Box Only (lift Out for 250 A.H. Batteries)	1 or 2
77-970-00	Battery Box Only (Roll-Out for 170 A.H. 217 A.H. and 250 A.H.)	1 or 2

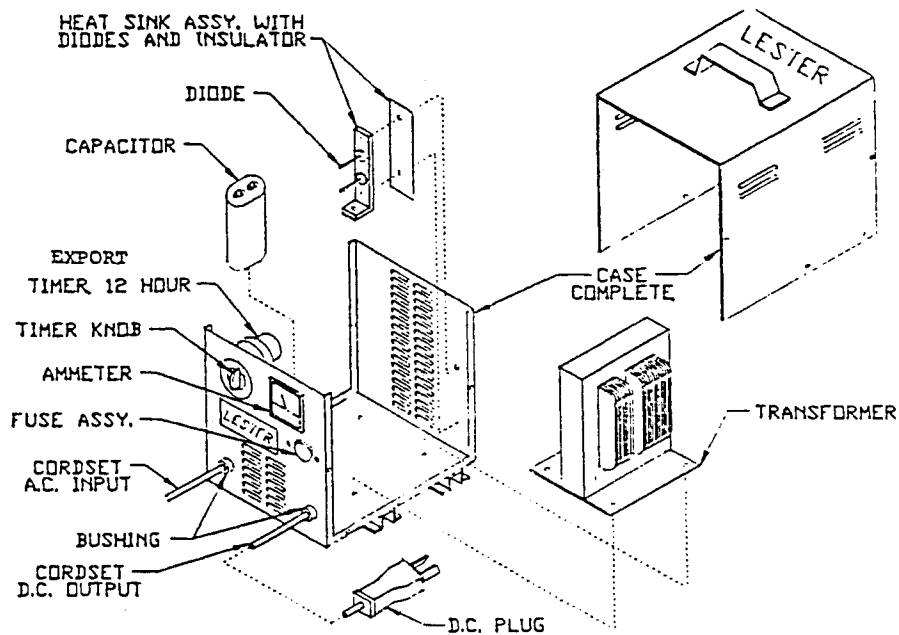
CHARGER MAINTENANCE, SERVICE AND ADJUSTMENT

TAYLOR-DUNN / LESTRONIC II
BATTERY CHARGERS

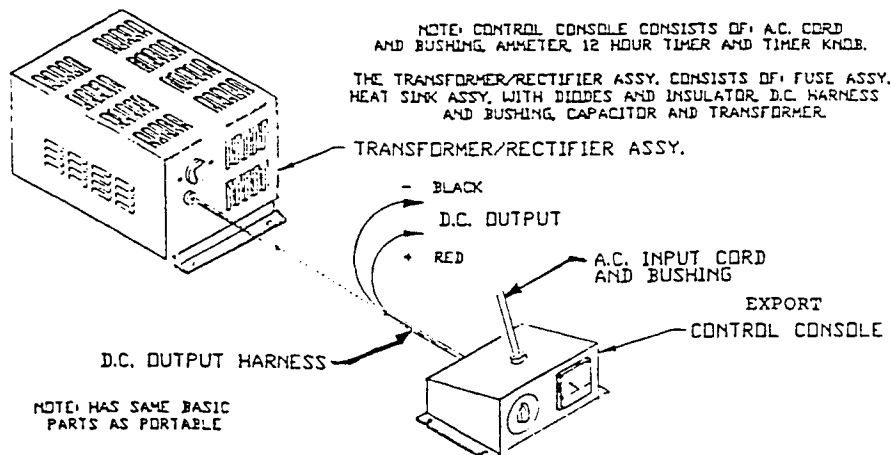
The all new automatic Lestronic chargers eliminate over and undercharging for new, old or defective batteries, whether hot or cold. Precise charging is achieved by patented Electronic Timer, utilizing state of the art integrated circuits.

Charger turns on automatically by simply connecting D.C. cord to batteries. The ammeter indicates charge rate. The charge rate tapers gradually to a finish rate of 5 to 10 amps. The Electronic Timer monitors the rate of voltage change during the charge period. When this rate levels off, the charger automatically shuts off.

The standard Lester-Matic chargers must be turned on manually with the "timer" knob. The Lester-Matic built-in chargers have a remote console consisting of the timer and ammeter, usually mounted on the dash. Maintenance and trouble shooting are similar for both, Lestronic II and Lester-Matic chargers. The Lester-Matic is used on all export vehicles.

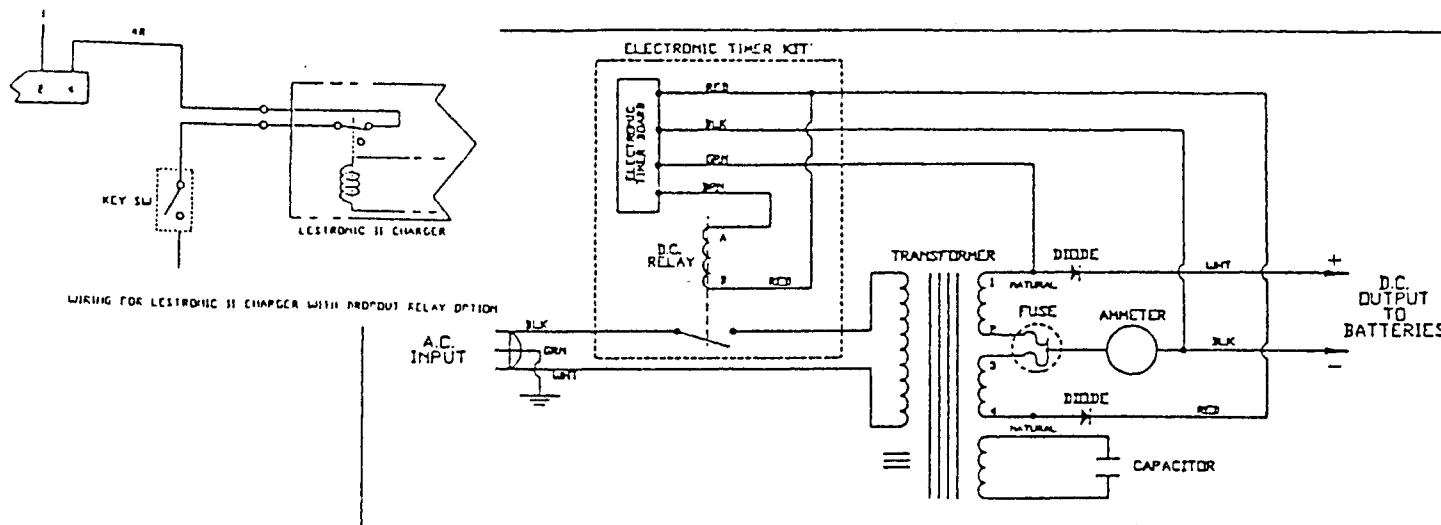


PORTABLE LESTER CHARGER
(TYPICAL) FOR COMPONENT IDENTIFICATION
SEE PARTS LIST FOR PORTABLE CHARGERS

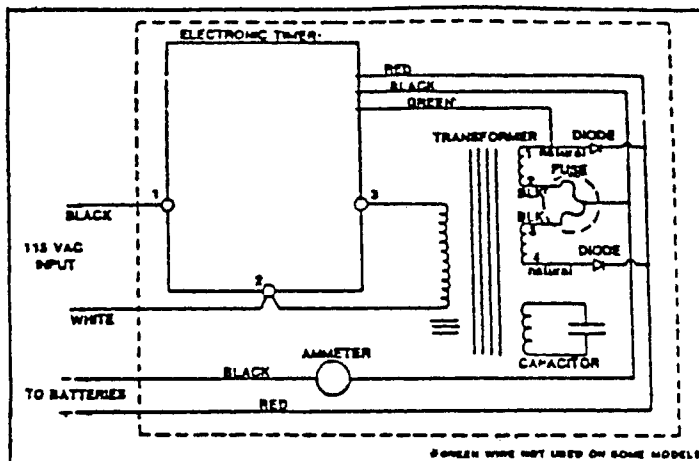


BUILT-IN LESTER CHARGER
(TYPICAL) FOR COMPONENT IDENTIFICATION
SEE PARTS LIST FOR BUILT-IN CHARGERS

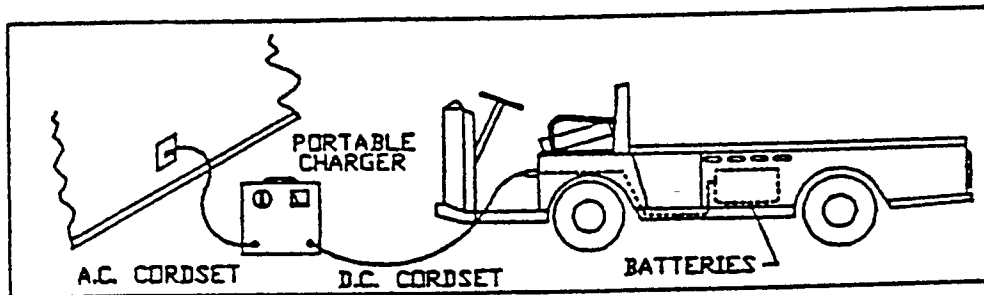
CHARGER SCHEMATICS



TYPICAL PORTABLE ELECTRONIC TIMER CHARGER (LESTRONIC II)



TYPICAL BUILT-IN ELECTRONIC TIMER CHARGER (LESTRONIC II)



TYPICAL DIAGRAM DURING CHARGING

OPERATION OF "LESTER MATIC" BATTERY CHARGERS

INTRODUCTION

The Lester-Matic battery charger is a highly reliable, line compensating unit. When used according to instructions, the Lester-Matic will tend to lengthen battery life with less frequent additions of water.

INITIAL INSTALLATION:

Circuit breaker or fuse protection in the AC line to which the charger is to be plugged should allow at least 15 amps per charger. When it is necessary to use an AC extension cord to the charger, use a three conductor No. 12 AWG cord with ground, and keep as short as possible. Instructions printed on the cover of the charger are for daily reference.

NORMAL OPERATION:

The state of discharge of the batteries will be slightly different every time they are put on charge, but the Lester-Matic varies automatically the initial charge rates, and taper of charge rate over the charge period. Thus momentary initial charge rate will vary from 18-30 amps, dropping quickly to a lower value, and then tapering gradually over the charge period to a finish rate of 1-4 amps (in the green shaded area of the ammeter dial) for the last 1-3 hours. When batteries are slightly discharged, the ammeter needle will be in the green shaded area for 7-8 hours, but the specific gravity will not rise to full charge until the cells have been equalized. The normal charging with the ammeter needle in the green shaded area is important to achieve equalization of all battery cells, every time the batteries are charged. Since the taper of the charging rate (in amps, as indicated by the ammeter needle) is controlled by the rising voltage of the batteries being charged, proper performance of the charger and resulting good battery life is dependent upon the following factors.

1. An Adequate AC line to handle the power required (see "Initial Installation")
2. All cells of the batteries must be good, rising to approximately 2.5 DC volts per cell while still on charge or near the end of a 12-hour charging period. When in doubt, check each cell with a single voltmeter while still on charge. If a low reading is obtained; check the low cells with a temperature corrected hydrometer. NOTE: Hydrometer float must be thoroughly clean to obtain accurate specific readings.
3. All electrical connections of the vehicle must be clean and tight.
4. Batteries should be charged just enough to bring them to full charge because overcharging is harmful. The state of charge can be tested accurately in each cell with a hydrometer or cell tester (voltmeter), but to simplify maintaining a fleet of cars, which normally require charging at least once a day.

OPERATION OF "LESTER-MATIC" BATTERY CHARGERS (continued)

Commercial cars, not used in golf course operation, should be charged after use each day, or as charge becomes low as indicated by hydrometer or voltmeter test.

The necessity of adding water more frequently than two or three weeks, and/or hot battery cases at the end of the charging cycle, indicates the finish rate is too high, due to one or both of the following:

1. One or more bad cells in the batteries.
2. Batteries are starting to age to a point where hours of charge should be reduced gradually to obtain prolonged battery life.

STORAGE:

Charger may be left connected to the batteries and can be monitored with your charge indicator or ammeter. After each charge cycle the charger should be checked to ensure that it has turned off. Severe overcharging and possible damage to the batteries could result if the charger remains on for prolonged periods of time.

CAUTION:

THIS CHARGER IS FOR USE ONLY ON BATTERY SYSTEMS OF THE TYPE AND CAPACITY SPECIFIED ON THE CHARGER NAMEPLATE. USE OTHERWISE WILL DAMAGE CHARGER AND/OR BATTERIES.

Due to the electrical characteristics of this charger, it is possible to improperly hook up batteries and not blow the fuses when charging. When installing batteries, be sure polarity is correct. With a DC voltmeter, check terminal voltage and polarity at the car receptacle.

CAUTION:

When working near capacitor terminals be sure charger is turned off. With charger "on" transformer capacitor voltage is approximately 640 volts. Use care. Before performing service, disconnect AC and DC leads. Discharge capacitor before servicing.

STEP BY STEP OPERATING PROCEDURES

1. Provide adequate ventilation for both batteries and charger. The convection-cooled Lester-Matic requires an unobstructed flow of cooling air for proper operation.
2. Connect DC plug (portable unit) to vehicle receptacle. Charger turns on automatically on Lestronic II's.
3. Turn timer to "ON" for well discharged batteries or to "7" for lightly discharged batteries. Charger shuts off automatically at end of charging cycle.
4. To determine approximate full charge at start of days use, a drop of ammeter needle to 1-4 amps in 15 minutes or less indicates full charge.

PROPER CARE OF MOTIVE POWER BATTERIES

NEW BATTERIES

1. Brand new batteries should be given a 12 hour charge before their first use, because it is difficult to know how long vehicle batteries have been in storage without a charge since new.
2. Limit use of brand new batteries between charges for first 5 cycles. New batteries and older batteries which have been in storage are not capable of their rated output until they have been discharged and charged a number of times.
3. During the first month of new batteries, particularly when night-time temperatures are below 60 F, give them an extra 12 hour charge once a week. The ampere-hours of energy that batteries can deliver and their charge acceptance varies directly with battery temperature.
4. All batteries that still taper down into the 1-4 amps area of the ammeter toward end of charge should be given a full charge. All cells in a set of batteries do not react identically to the same discharge and charge current. In a normal 12 hours charge the last 3 to 5 hours at low finish charge rate equalize the cells for better battery life.
5. When batteries age to the point where charge rate no longer tapers into the 1-4 amps area of the ammeter, reduce the hours of charge progressively to 10 hours, 8 hours, and finally down to 6 hours near the end of useful life. As batteries age, their on-charge voltage at end of charge period drops progressively, thereby causing a high finish charge rate in amperes and resultant higher water use rates.

VERIFY BATTERIES ARE CHARGED

1. Turn on the charger first thing in the morning and check to see if charger ammeter needle jumps smartly to 15 amps or more and then tapers into the 1-4 amps area within 15 minutes. This will provide a very simple means of verifying that the batteries were truly charged the night before. It also shows aging batteries whose finish charge rate will not taper into the ammeter 1-4 amps area.
2. Add water carefully to proper level in cells as required after they have been fully charged. Do not fill them so high that they bubble over while charging. New batteries require very little additional water, whereas very old batteries may need additional water two or three times a week. Water (electrolyte) level in battery cells settles when batteries are discharged and rises during charge. The probability of overfilling can be reduced by adding water when batteries are fully charged.

PREVENTIVE MAINTENANCE

1. When night air temperatures fall below 65 degrees F, batteries charged in unheated areas should be placed on charge as soon after use as possible. Under such condition a 4 hour equalize charge once a week in the early afternoon will improve state of charge and battery life.
2. Keep tops of batteries and battery hold-downs clean and dry. Tops of batteries and battery hold-downs must be kept clean at all times to prevent voltage leakage and flow of current between the batteries and the vehicle frame.

PROPER CARE OF MOTIVE POWER BATTERIES (continued)

WARNING

LEAD ACID BATTERIES CONTINUOUSLY EMIT HIGHLY EXPLOSIVE GASES. DURING NORMAL VEHICLE OPERATION THE CONCENTRATION OF THESE GASES IS A POTENTIAL HAZARD TO BE CONSIDERED DANGEROUS WHEN FLAME OR SPARKS OCCUR IN THE BATTERY COMPARTMENT CLOSE TO THE VENT HOLES IN THE BATTERY CAPS. IT IS IMPORTANT THAT THIS NOT BE ALLOWED TO OCCUR AT ANY TIME. LIGHTED CIGARETTES MUST NOT BE BROUGHT CLOSE TO THE BATTERY COMPARTMENT.

DURING THE CHARGING PROCESS, EMISSIONS ARE GREATLY INCREASED.

ANY AREA IN WHICH CHARGING BATTERIES ARE CONFINED MUST BE WELL VENTILATED, ANY FLAME, SPARKS, OR LIGHTED CIGARETTES MUST BE KEPT OUT OF THE CHARGING AREA AND AWAY FROM VENTILATOR OPENINGS ASSOCIATED WITH THE CHARGING AREA. BATTERY CONNECTIONS MUST NOT BE DISTURBED WHILE BATTERIES ARE BEING CHARGED.

MALFUNCTIONS SYMPTOMS AND THEIR REMEDIES

1. The Lester-Matic charger is designed with as few parts as possible. Since each component can be tested individually, trouble shooting is a simple task. The following is a list of symptoms with their associated test procedures and remedies.

NO TRANSFER HUM AND AMMETER DOES NOT REGISTER

In the event no hum is detected from the transformer, check the AC cord to be sure it is securely plugged into a live AC outlet. When three-prong to two-prong adapters are used, they tend to work loose giving a poor connection. If the cord connection is secure and still no hum is noticed, a continuity test of the AC circuit is necessary. Turn the timer to "ON" and, with a suitable continuity tester, check circuit across the AC plug prongs (Figure 1). CIRCUIT SHOULD BE COMPLETE. If not complete, individually check the AC cord, timer primary transformer coil, and all connections.

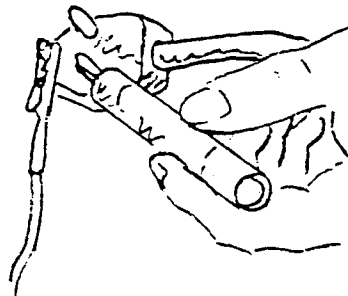


FIGURE 1

TRANSFORMER HUMS BUT NO AMMETER INDICATION

Inspect the DC plug connection to the vehicle receptacle and also check to ensure that the batteries are connected properly to the receptacle. If there is still no ammeter indication, a continuity test of the charger DC circuit must be performed. Turn the time to "OFF" and disconnect the AC and *DC plugs. Perform the following tests, using a low voltage tester, to check the continuity of the DC circuit.

MALFUNCTION SYMPTOMS AND THEIR REMEDIES (continued)

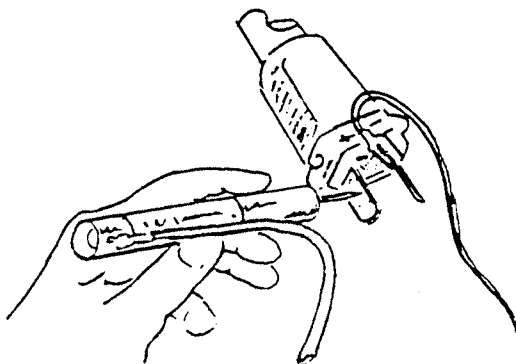
TRANSFORMER HUMS BUT NO AMMETER INDICATION (continued)

* For built-ins, disconnect AC plug and DC leads to battery to isolate charger.

- (a) Connect tester clip to negative (-) blade and probe to positive (+) blade (Figure 2). CIRCUIT SHOULD BE COMPLETE. If not complete, first check the DC fuse link.

If one or both fuses have blown, the link will be broken and usually the clear plastic fuse cover will be discolored. Refer to "Fuse Link Blowing" for test procedures. If fuses are good, individually check the fuse connections, DC cord, and diode connections (each may be checked with the continuity test light).

NOTE: On built-in charger the red lead is (+) and black lead is (-) on DC output.



Typical plug.
Check same
polarity on
other plugs.

FIGURE 2
D.C. PLUG CHECK FOR PORTABLE CHARGERS ONLY

- (b) If the circuit in Figure 2 is complete, reverse test light leads as shown in Figure 3. CIRCUIT SHOULD NOT BE COMPLETE. If circuit is complete, check DC cord for a "short" between the two wires. More probably, one or both diodes have "shorted". Refer to "Fuse Link Blowing" part (b) for continuity test of diodes.

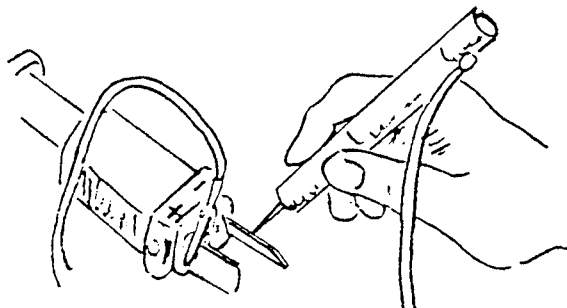


FIGURE 3
D.C. PLUG CHECK FOR PORTABLE CHARGERS ONLY

CAUTION: Discharge capacitor before proceeding with (c).

MALFUNCTION SYMPTOMS AND THEIR REMEDIES (continued)

- (c) If (a) Figure 2 and (b) Figure 3 check good, assume the capacitor is shorted. Remove one wire from a capacitor terminal and place continuity tester clip to one terminal and probe to other. If circuit is complete, capacitor is "shorted" and must be replaced.

CHARGER DC FUSE LINK(S) BLOWS

This condition is caused by:

- (a) Reverse polarity between charger and batteries, such as incorrect installation of batteries, wiring of DC receptacle or charger plug.
- (b) A short circuit failure of one or both diodes. First disconnect one diode. Using a low voltage continuity tester check each diode as shown in Figure 4. Then reverse the tester leads and check each diode again. If the diode conducts current in both directions the diode is shorted and must be replaced. Replace either the entire heat-sink assembly or the defective diode. When replacing a single diode be sure the new diode is pressed squarely into the hole and does not extend beyond the rear surface of the heat-sink plate.

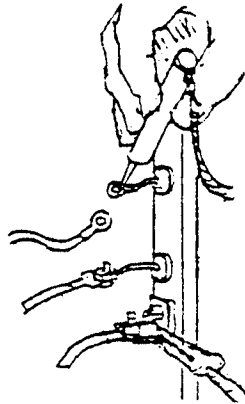


FIGURE 4

- (c) If (a) and (b) fail to reveal the malfunction, check wiring of both charger and vehicle against their respective wiring diagrams.

CHARGER OUTPUT IS LOW

The most probable cause is one diode shorting and blowing one fuse. Refer to "Fuse Link Blowing" part (b) to check the diodes. If a diode is shorted both the heat sink and fuse assemblies must be replaced.

CHARGER DOES NOT TURN OFF

This is due to an inoperative timer. In this case replace timer assembly.

CHARGER WILL NOT TURN ON

With charger "plugged in" at terminals #1 and #3 on timer board assembly "short" together with screwdriver. If charger turns on (bypasses relay) you have a faulty timer board assembly.

AC LINE FUSE OR CIRCUIT BREAKER BLOWS

If this occurs when charger is turned on without being plugged into the vehicle, the AC cord, timer motor coil, or the transformer may be shorted. To check the AC cord, ensure that the timer is "OFF" and connect the continuity tester across the AC plug prongs. If circuit is complete the AC cord is shorted and must be replaced. To check the timer motor coil, disconnect the white timer motor wire and connect continuity tester to the motor coil leads. If the lamp glows, the coil is shorted. To test the transformer, disconnect secondary leads #1 and #4. If the AC fuse or breaker still blows, the transformer is shorted internally and must be replaced.

CHARGER

PARTS LIST, BUILT-INS

RECOMMENDED REPLACEMENT PARTS

EXPORT

Taylor-Dunn Part No.	79-306-95	79-306-25
		LESTRONICII
	36LC40-4T12	36LC40-8ET
Lester Model No.	230/50	115/60
	7640	13745
TRANSFORMER/RECTIFIER ASSEMBLY, COMPLETE		
Transformer	79-644-22	
Capacitor	79-902-00	
Heat Sink Assy. with diodes	79-749-10	79-749-10
Diode Replacement	79-745-11	79-745-11
Fuse Assembly	79-831-10	79-831-10
CONTROL CONSOLE ASSEMBLY		
Bushing, for Cordsets	79-530-00	79-530-00
Housing	79-599-10	
Timer	79-805-11	79-805-67
Knob, Timer	79-806-00	
Ammeter	79-852-00	79-852-00
Cordset, A.C.	79-575-20	79-575-30

PORTABLE CHARGER

PARTS LIST

RECOMMENDED REPLACEMENT PARTS

Taylor-Dunn Part No.	PORTABLE 79-306-20	PORTABLE 79-306-21	PORTABLE 79-305-00 *79-305-05
Lester Model No.	LESTRONICII 36LC40-8ET 115/60 HZ 09475-13	LESTRONICII 36LC40-8ET 115/60 HZ 09475-13	LESTRONIC II 36LC25-8ET 115/60 HZ *BUILT-IN
TRANSFORMER/RECTIFIER ASSEMBLY		* SEE NOTE	
Transformer			79-644-27
Capacitor			PORT & BLT IN 79-902-00
Heat Sink Assy. with Diodes	79-749-10		79-749-10 79-749-13
Diode Replacement	79-745-11		PORT & BLT IN 79-749-10
Fuse Assembly	79-831-10		PORT & BLT IN 79-831-00
CONTROL CONSOLE ASSEMBLY			
Bushing, for Cordsets	79-530-00		79-530-00
Housing			
Timer	79-805-63		79-805-63 *79-805-67
Knob, Timer			
Ammeter	79-852-00		79-851-10
Cordset, A.C.	79-575-30		79-575-10

* NOTE: SAME AS 79-306-20 EXCEPT HAS 175A SB RECEPTACLE. THE RECEPTACLE PART NUMBER IS 76-020-00.

CHARGER
PARTS LIST, PORTABLE
RECOMMENDED REPLACEMENT PARTS
EXPORT

Taylor-Dunn Part No.	79-306-90
Lester Model No.	36LC40-4T12 230/50 7645
Case	
Transformer	79-644-21
Capacitor	79-902-00
Ammeter	79-852-00
Timer	79-805-11
Knob, Timer	79-806-00
Heat Sink Assy. with Diodes	79-749-10
Diode Replacement	79-745-11
Fuse Assembly	79-831-10
Cordset, A.C.	79-575-20
Cordset, D.C.	79-567-10
Bushing for Cordsets, A.C.	79-530-00
Bushing for Cordsets, D.C.	79-531-00

CHARGER
PARTS LIST, PORTABLE
RECOMMENDED REPLACEMENT PARTS
EXPORT

Taylor-Dunn Part No.	79-304-90
Lester Model No.	36LC25T12 230/50 8876
Case	
Transformer	79-644-17
Capacitor	79-902-10
Ammeter	79-851-10
Timer	79-805-11
Knob, Timer	79-806-00
Heat Sink Assy. with Diodes	*79-749-00
Diode Replacement	79-745-10
Fuse Assembly	79-831-00
Cordset, A.C.	79-575-20
Cordset, D.C.	79-566-10
Bushing for Cordsets, A.C.	79-530-00
Bushing for Cordsets, D.C.	79-530-00

RECOMMENDED SPARE PARTS

COMPONENTS	SPARES FOR VEHICLES	
	1 - 20	20 or MORE
TRANSFORMERS	1	2
CAPACITORS	1	2
AMMETERS	1	2
TIMERS	1	2
KNOB - TIMER	2	5
HEAT SINK ASSEMBLY	1	2
DIODES	2	4
FUSE ASSEMBLY	2	4
CORDSET A.C.	2	4
CORDSET D.C.	2	4
PLUG D. C.	2	4
HOUSING, CONTROL CONSOLE	1	2
TIMER, BOARD ELECTRONIC	1	2

MAINTENANCE PROCEDURES

BODY AND TRIM

Your vehicle has been finished with several coats of durable baked on enamel.

It will require the same care as you would give your automobile. The chrome trim is also resistant to corrosion and will require an occasional cleaning.

It is recommended that your vehicle be washed with a mild soap and warm water. For long life a good automotive type of wax will extend the life of the finish and maintain lasting beauty.

BODY AND TRIM PARTS

T-D PART NO.	DESCRIPTION	QTY. REQ.
50-226-00	1/4" Battery Rod 15-1/4 Plus Bend	3
71-560-00	3" Red Reflector	1 to 4
72-405-00	Guard, Turn Signal Light Fixture (Inside, Front)	1
90-107-00	Seat Back with Arm Rest Weldment, 3rd Seat	1
90-108-00	Bolt-on Rear Weldment	1
90-114-00	Cover, Right Front Wheel Well Top (Single Seat)	1
90-118-00	Removeable Right Seat Frame Only (Single Seat)	1
90-134-00	Seat Cushion (19" x 39) Foldaway Seat, & Bolt on 3rd Seat, Solid Black	1
90-137-00	Seat Backrest (12" x 27-5/8" Half Cab, Solid Black	1
90-140-00	Seat Backrest, Full Black	1
90-142-00	Seat Backrest, (12" x 22-1/2") Single Seat Black	1
90-143-00	Seat Backrest, (12" x 18") Removable Right Seat, Black	1
90-148-00	Seat Cushion (18-1/2 x 20") Black, 1/2 Cowl	1
90-149-00	Seat Cushion (20" x 41-1/2") Fixed Second Seat, Black	1 or 2
90-167-99	Seat Cushion, Deadman Seat w/Electrical Interlock Black	1
90-168-00	Seat Cushion, (15-1/2 x 17-1/2") Deadman Seat	1
90-300-00	Arm Rest, Black	2
90-444-00	Deck Board, 5/8" Plywood, Black, Hi-Density Cover, 41 x 74-1/4"	1
90-539-00	3/4" Steel Stake	3
90-540-00	Stake Side, Side Gate Hood	6
90-542-10	Stake Sides and End Assembly (14" High Stakes)	1
90-543-00	1-1/2" x 3/4" Channel Stake 17" Long	6
90-544-00	2" x 1" Stake Pocket, Outer	6
90-544-10	2" x 1" Stake Pocket, Inner	6
90-546-00	1-1/2" x 3/4" Channel Stake 27" Long	6
90-548-00	1-1/2" x 3/4" Channel Stake 39" Long	6
90-800-00	Windshield, Safety Glass (19-1/2" x 21-1/2")	1
90-811-00	Windshield, & Side Window Safety Glass (19-1/2 x 21-1/2") Half Cab	1
90-850-00	Rear Window, Safety Glass (12" x 32")	1
90-851-00	Rear Window, Safety Glass (12" x 18") Half Cab	1
90-908-00	Side Curtains Less Steel Frame for Cab	1 Pair
90-908-98	Side Curtain Less Steel Frame, Left Side	1
90-908-99	Side Curtain Less Steel Frame, Right Side	1
90-910-00	Metal Enclosure Panel (Less Glass) Half Cab Right Side Only	1
90-908-62	Kit, Cab Door, Left Side	1
90-908-63	Kit, Cab Door, Right Side	1
90-921-98	Side Curtain Frame, (Less Hinges) Left Side	1
90-921-99	Side Curtain Frame, (Less Hinges) Right Side	1
91-000-00	Fiberglass Cab Without Window Glass (White)	1
91-005-00	Fiberglass Cab Without Window Glass (White) Half Cab	1
91-006-00	Fiberglass Windshield Only, Frame (White)	1
91-023-98	Support Post for Top Frame, Front Left Side	1
91-023-99	Support Post for Top Frame, Front Right Side	1
91-028-00	Tubular Top Frame Less Top Supports	1
91-028-51	Support Post for Top Frame, Rear	2
91-029-00	Windshield Support Bracket with Surrey Top	2
91-101-00	Surrey Top cover with Fringe	1
91-809-10	Hinge Side Curtain Door Frame Upper	2
91-810-00	Hinge Side Curtain Door Frame Lower	2
92-000-00	Chrome Wheel Cover 8" for 400 x 8 and 500 x 8 Wheel	2 or 4

BODY AND TRIM PARTS (continued)

T-D PART NO.	DESCRIPTION	QTY. REQ.
92-002-00	Chrome Wheel Cover 8" for Split Rim Wheel	2 or 4
92-201-00	4 x 8 Mirror	1
92-202-00	Mirror Bracket	1
94-011-00	Aluminum Trim Drip Rail Formed 56" Long	2
94-034-00	Plastic Trim Strip (per foot) for 91-006-00 Windshield Frame	6.5
94-201-00	Taylor-Dunn Emblem	1
94-301-00	Taylor-Dunn Decal	1
94-304-00	Switch Console Name Plate	1
94-305-00	Forward/Reverse Switch Plate	1
95-510-00	Deck Handle	1
95-530-10	Recessed Handle Foldaway Seat	1
95-952-00	Paint - 1 Quart Can (Specify Color)	1
97-315-50	Shaft - 5/16 Square N.C. Thread for Curtain Door Latch	2
97-315-51	Plate - Door Latch (Inner and Outer)	4
97-315-53	Handle - Door Latch (Inner and Outer)	4
97-804-00	Hitch - Pintle	1
97-808-00	Hitch - Automatic	1
98-200-00	Rubber Brake Pedal Pad	1
98-254-00	Aluminum Accelerator Pedal Pad	1
98-311-00	Window Channel for Front Window (107" Long)	1
98-312-00	Window Channel for Front Window-Half Cab (79" Long)	1
98-313-00	Window Channel for Rear Cab Window (85" Long)	1
98-315-00	Window Channel for Rear Window-Half Cab (57" Long)	1