

# SPECIAL ORDER FORKS

Please complete this form, send it to us via fax or email and we'll provide a quote!

## Shaft / Pin / Bar Type Forks:

W:	Company Name:	Phone:
T:	Contact Name:	Fax:
BL:	Email:	

BH:
CL:

OS:
IS:
RS:
IL: 0

Bar Pin Diameter:
Tube In Diameter:
Tube Out Diameter:
sa°:
sd:
sl:
sw:
TU:

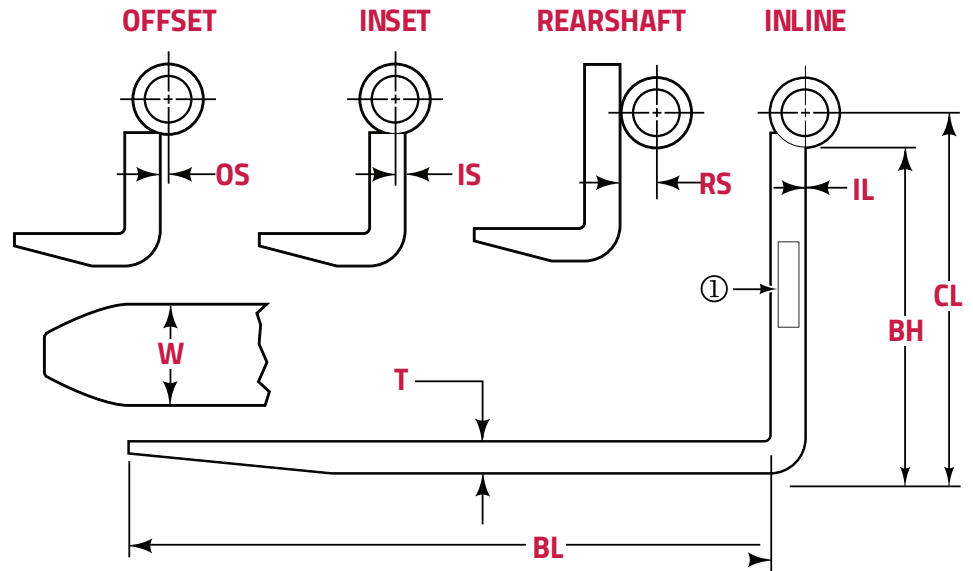
Truck Make:
-------------

Truck Model:
--------------

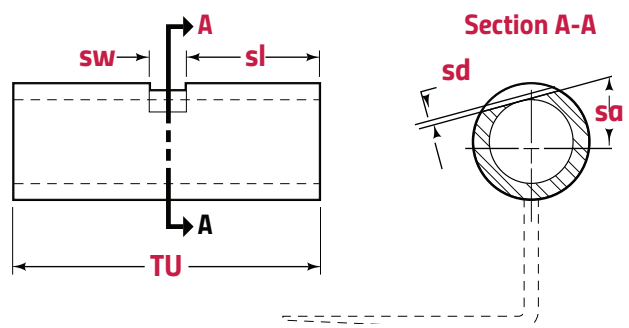
Truck Capacity:
-----------------

Fork Capacity/Pair:
---------------------

Load Center:
--------------



Is Tube Slotted?  Yes  No  
 If yes, show dimensions (sa to TU).



- NOTES:**
- ① Provide all available stamping information, check both sides of shank.
  - ▶ Standard tips and tapers will be supplied, unless specific dimensions are given. Non-standard requirements MAY be more expensive.
  - ▶ Tube ID will equal bar diameter plus acceptable tolerance.
  - ▶ Tube OD: Excessively thin walls on the tube may require use of special tube material at extra cost. Consult Intella.

# SPECIAL ORDER FORKS

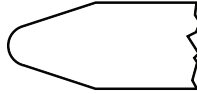
Please complete this form, send it to us via fax or email and we'll provide a quote!

## Fork Tips:

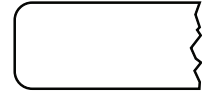
No. 1



No. 2



No. 3



### NOTES:

- ▶ No. 1 tip is standard on forks up to and including 7" (180mm) wide.
- ▶ No. 2 tip is standard on Block Handling Forks.
- ▶ No. 3 tip is standard on forks wider than 7" (180mm).

---

## Bevel Options:



Standard Taper,  
No Bevel



Full Taper & Polish  
with Bottom Bevel



Full Taper & Polish  
with Top Bevel

**Note:** Other bevels available. Consult Intella.

---

## Tapers:



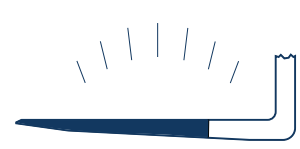
Standard Taper



Full Top  
Taper & Polish



Full Bottom  
Taper & Polish



Two-Stage  
Taper & Polish

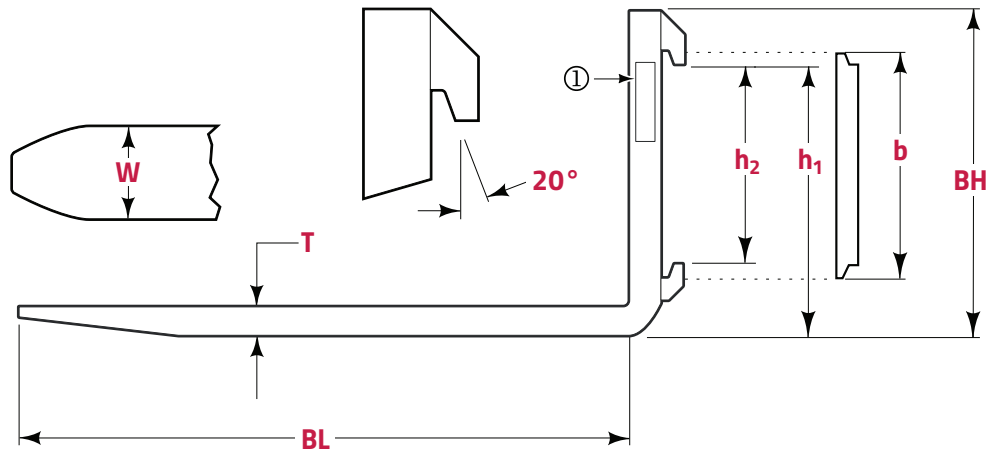
# SPECIAL ORDER FORKS

Please complete this form, send it to us via fax or email and we'll provide a quote!

## Standard ITA Forks:

b:	Company Name:	Phone:
h <sub>1</sub> :	Contact Name:	Fax:
h <sub>2</sub> :	Email:	

T:
W:
BL:
BH:



Truck Make:
Truck Model:
Truck Capacity:
Fork Capacity/Pair:
Load Center:

Mounting Class	Distance Between Hooks		Height of Carriage		Check Your Choice
	h <sub>2</sub>		b		
1	h <sub>2</sub>	12.05" / 306mm	b	13.00" / 331mm	
2	h <sub>2</sub>	15.04" / 382mm	b	16.00" / 407mm	
3	h <sub>2</sub>	18.78" / 477mm	b	20.00" / 508mm	
4	h <sub>2</sub>	23.54" / 598mm	b	25.00" / 635mm	
5	h <sub>2</sub>	26.77" / 680mm	b	28.67" / 728mm	

### NOTES:

- ① Provide all available stamping information, check both sides of shank.
- ▶ Standard tips and tapers will be supplied, unless specific dimensions are given. Non-standard requirements MAY be more expensive.
- ▶ Standard ITA hooks and fork sizes are matched independently. Forks will always be rated to the related truck class capacity in preference to the fork cross section size. Greater lifting capacity may be achieved by requesting our HEAVY DUTY hooks, which will incur increased cost and delivery time.