




A close-up photograph of a vehicle's interior, focusing on the center console armrest and the adjacent seat. The armrest is upholstered in a dark, textured material, possibly leather or vinyl, and features a black plastic adjustment knob. The seat is upholstered in a light-colored, perforated fabric with visible stitching. The background is a soft, out-of-focus blue gradient.

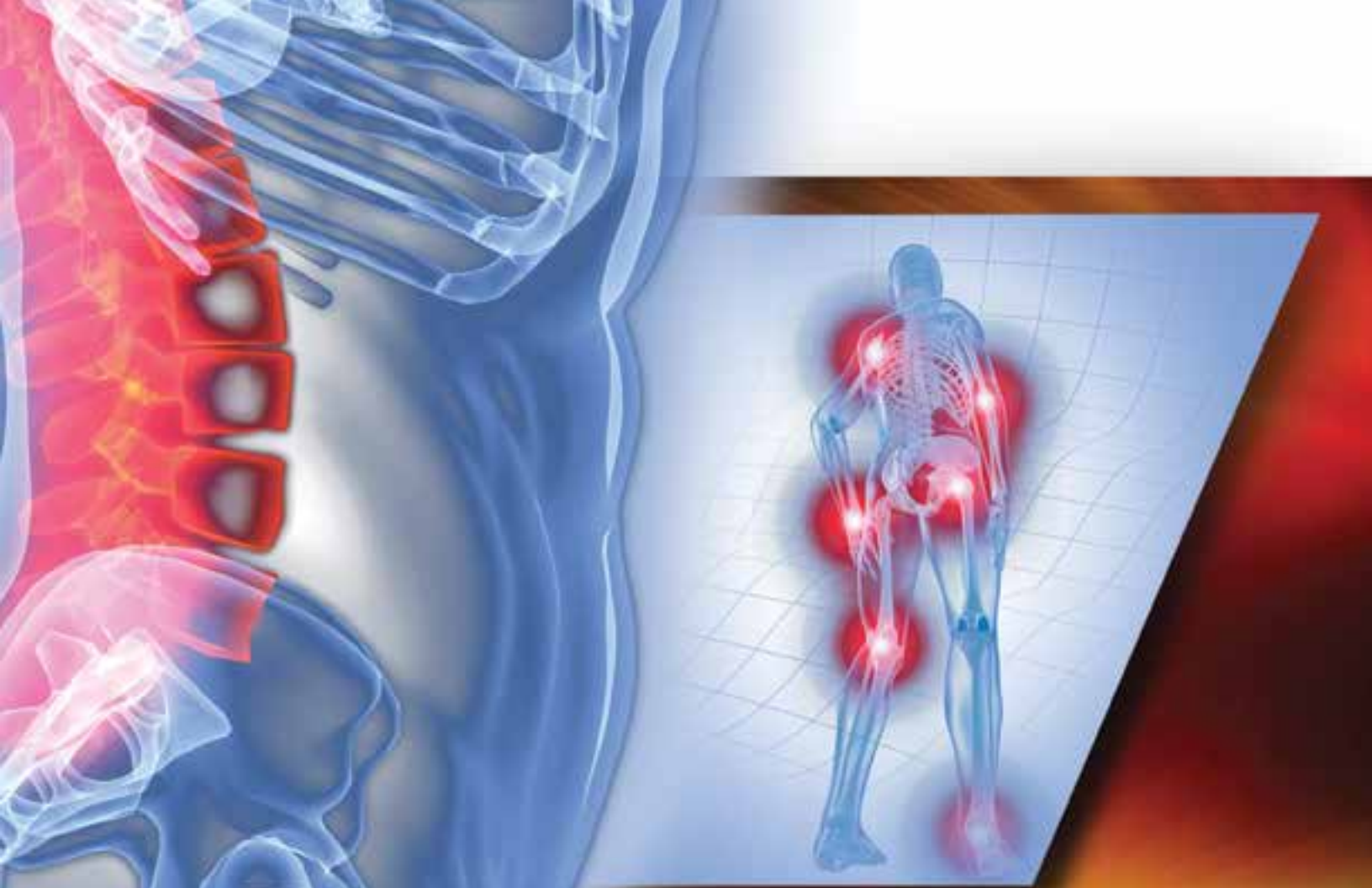
intella™

PARTS COMPANY LLC

O F F - R O A D

PRODUCT GUIDE

		<i>TECHNOLOGY</i>	<i>3</i>
<i>AG</i>		<i>AGRICULTURAL SEATING</i>	<i>4-9</i>
		<i>PERFORMANCE</i>	<i>10</i>
<i>CON</i>		<i>CONSTRUCTION SEATING</i>	<i>11-17</i>
		<i>ENGINEERING</i>	<i>18</i>
<i>IND</i>		<i>INDUSTRIAL SEATING</i>	<i>19-23</i>
		<i>TESTING</i>	<i>24-25</i>



VALUE ENGINEERING

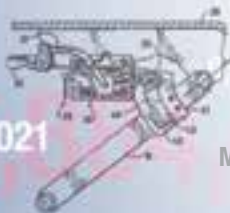
TECHNOLOGY



SETTING THE STANDARD FOR INNOVATION.

A global company technologically driven for innovation with the highest standards for quality and reliability. Engineering support staff including, value engineering for increased value through cost improvements, industrial design/ human factors expertise for product styling, design and ergonomic input, and a long range R & D group for new technologies and design of future products.

5,618,021



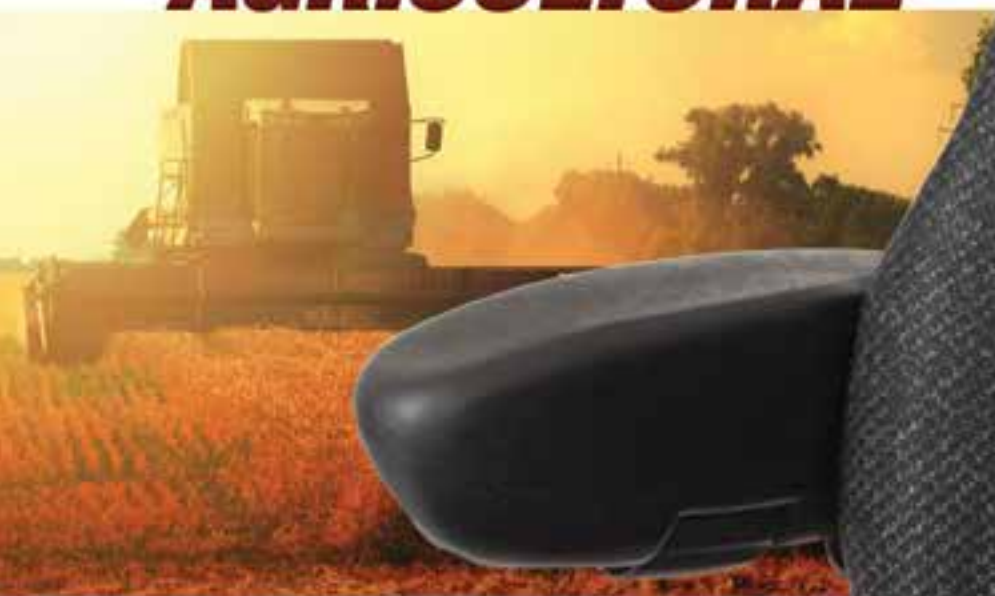
MORE THAN 100 UTILITY, DESIGN AND PROCESS PATENTS





AG

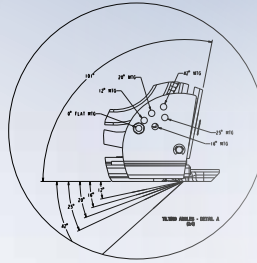
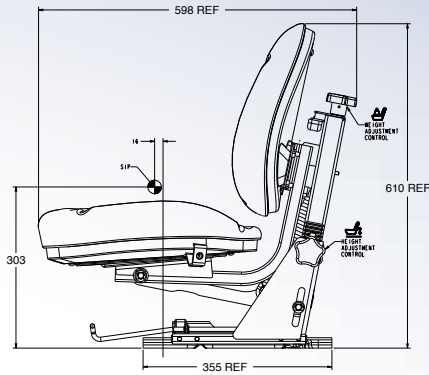
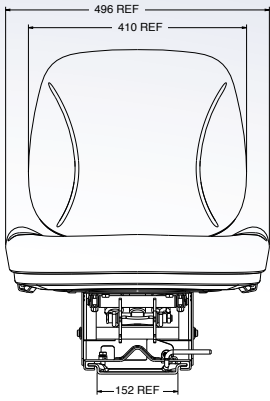
AGRICULTURAL



706E / 705E

GRAY VINYL

BLACK VINYL
SHOWN



706E / 705E

AG



Applications: Small Tractors, 25-40 HP

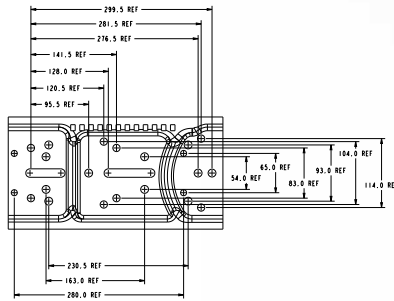
700 Series Economy Seat Top

- Back & Seat cushions
- Black vinyl
- Gray vinyl

Behind-The-Seat Suspension

- Weight adjust
- Height adjust
- Slides
- Flat horizontal base
- Adjustable angle base

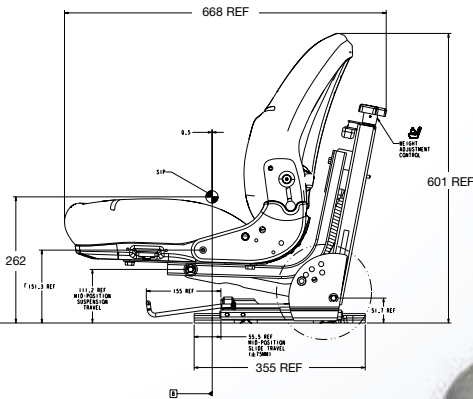
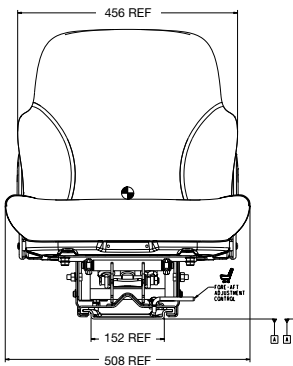
MOUNTING



3005E

BLACK VINYL

GRAY VINYL
SHOWN



3005E

AG



Applications: Small Tractors, 25-40 HP

3000 Series Comfort Seat Top

- Wide vinyl cushions
- Black
- Gray

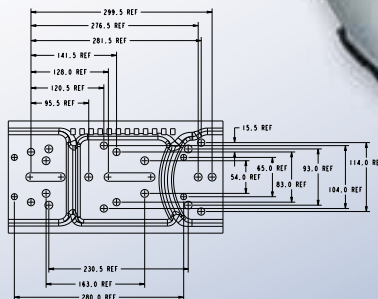
Behind-The-Seat Suspension

- Weight adjust
- Fore/aft adjust
- Angle mounting base - 12, 16, 25, 36, 42 deg

Optional

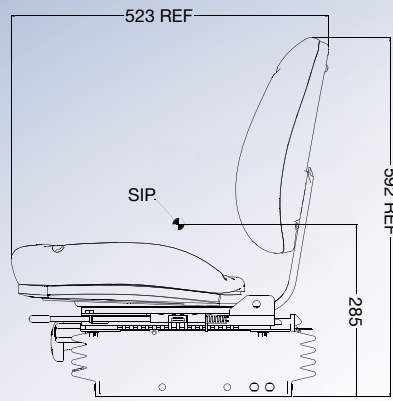
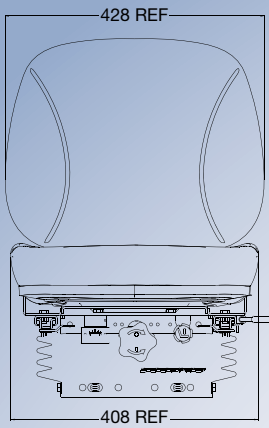
- Armrests

MOUNTING



608E

BLACK VINYL
SHOWN



Applications: Small Tractors, 25-40 HP

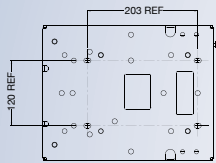
600 Series Economy Seat Top

- Black vinyl back & seat cushions

HD Economy Suspension

- Weight adjust
- Height adjust
- Fixed shock
- Slides
- Molded rubber boot

MOUNTING



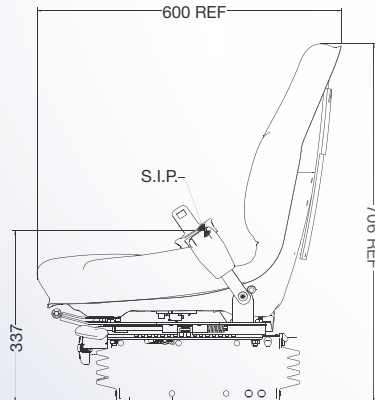
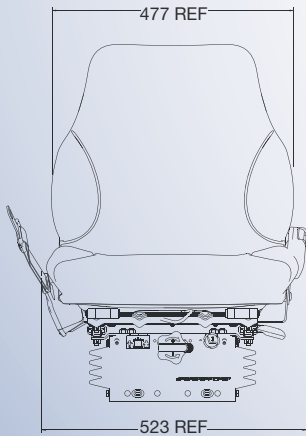
608E

AG



1408

ASPHALT GRAY
CLOTH FAB
SHOWN



Applications: Utility, Compact & HP Tractors, Harvesters

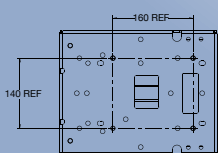
1400 Series Seat Top

- One-piece stamped-metal pan
- One piece cushion
- Asphalt gray cloth
- Seat belt

HD Compact Mechanical

- Weight adjust
- Height adjust
- Fixed shock
- Slides
- Molded rubber boot

MOUNTING



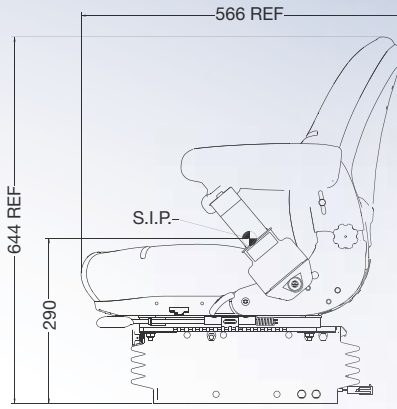
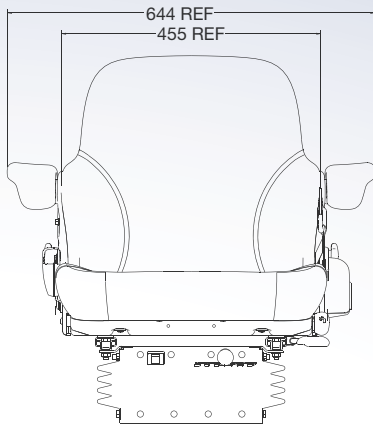
1408

AG



3030

ASPHALT GRAY
CLOTH FAB
SHOWN



Applications: Utility, Compact & HP Tractors, Harvesters

3000 Series Seat Top

- Contoured metal seat & back pans
- Ergonomic contoured comfort cushions
 - Asphalt gray cloth
- Seat belt
- Recliner
- Tilt-up adjustable armrests

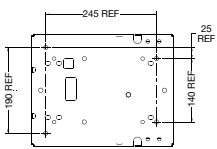
Compact Air Suspension

- 12V compressor
- Shock
- Slides
- Molded rubber boot

Optional

- Fore/aft isolator kit

MOUNTING



3030

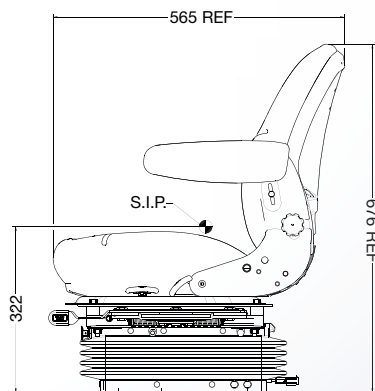
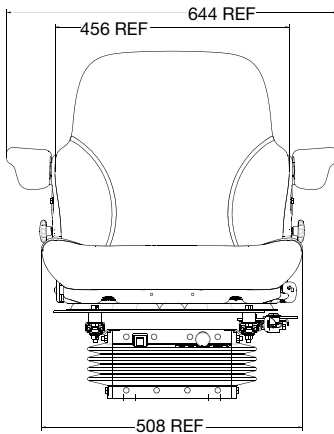
AG



3030T

ASPHALT GRAY
CLOTH FAB

MOJAVE BROWN
CLOTH FAB
SHOWN



Applications: Utility, Compact & HP Tractors, Harvesters

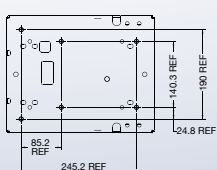
3000 Series Seat Top

- Contoured metal seat & back pans
- Ergonomic contoured comfort cushions
 - Mojave brown cloth
 - Asphalt gray cloth
- Recliner
- Tilt-up adjustable armrests

Compact Air Suspension

- 12V compressor
- Shock
- Fore/aft isolator
- Slides
- Swivel
- Molded rubber boot

MOUNTING



3030T

AG

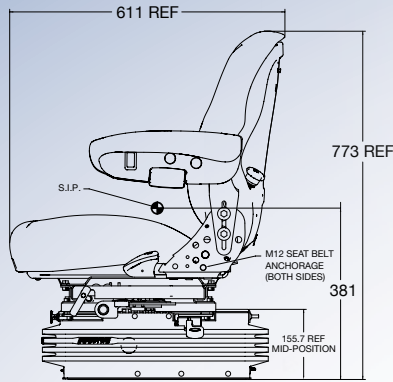
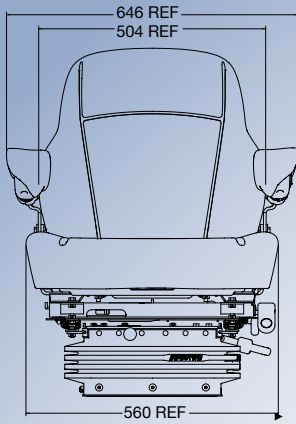


5545

BLACK VINYL

CHARCOAL GRAY CLOTH FAB

MOJAVE BROWN CLOTH FAB SHOWN



Applications: Utility & Large HP Tractors, Combines/Harvesters, Sprayers

5500 Series Seat Top

- Contoured metal seat & back pans
- Ergonomic contoured comfort cushions
 - Mojave brown cloth
 - Charcoal gray cloth
 - Black vinyl

- Recliner
- Mechanical lumbar
- Tilt-up adjustable armrests

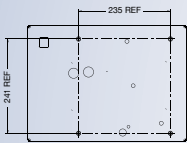
LP Air Suspension

- 12V compressor
- Fore/aft isolator
- Slides
- Molded rubber boot
- Shock

Optional

- Swivel

MOUNTING



5545

AG

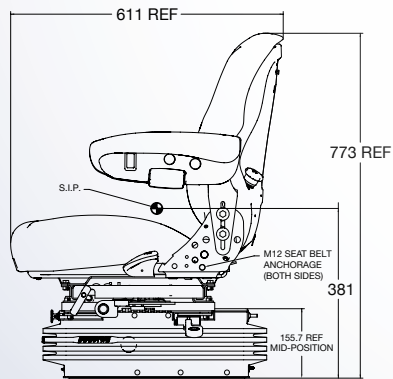
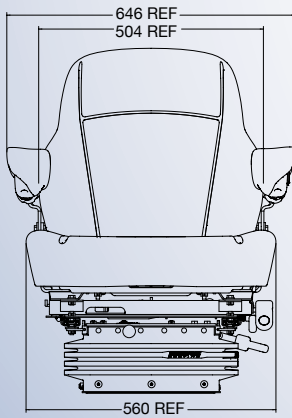


5555

BLACK CONFETTI CLOTH

CHARCOAL GRAY CLOTH FAB

MOJAVE BROWN CLOTH FAB SHOWN



Applications: Utility & Large HP Tractors, Combines/Harvesters, Sprayers

5500 Series Seat Top

- Contoured metal seat & back pans
- Ergonomic contoured comfort cushions
 - Mojave brown cloth
 - Charcoal gray cloth
 - Black confetti cloth

- Recliner
- Mechanical lumbar
- Tilt-up adjustable armrests

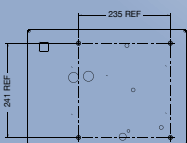
LP Air Suspension

- 12V compressor
- Fore/aft & lateral isolators
- Slides
- Molded rubber boot
- Adjustable shock

Optional

- Swivel

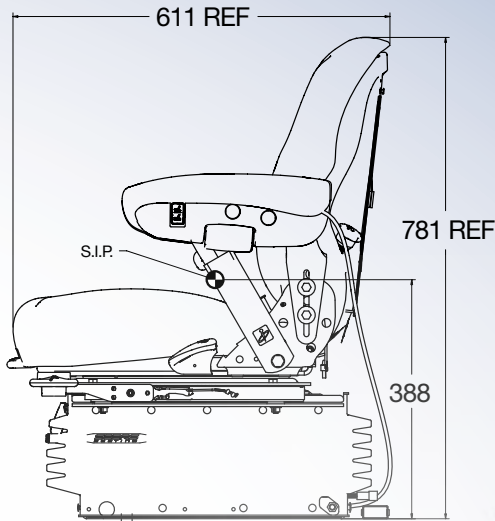
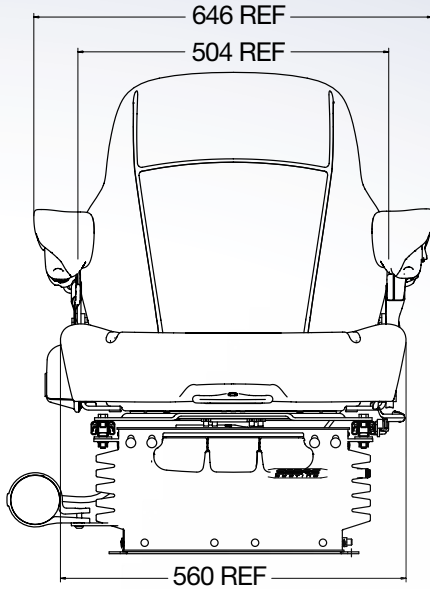
MOUNTING



5555

AG





Applications: Utility & Large HP Tractors, Combines/Harvesters, Sprayers

5500 Series Seat Top

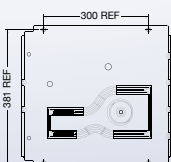
- Contoured metal seat & back pans
- Ergonomic contoured comfort cushions
 - Mojave brown cloth
 - Asphalt gray cloth
- Recliner
- Mechanical lumbar
- Tilt-up adjustable armrests
- Swivel

Active VRS Air Suspension

- 12V compressor
- Magnetic active damper
- Fore/aft & lateral isolators
- Slides
- Air reservoir tank
- Molded rubber boot



MOUNTING



MAN RATED 6DOF RIDE SIMULATOR



PERFORMANCE

0	0	0	47	34	89	18	33	48	50	20	0	0	0	0	0
0	10	0	0	96	98	11	100	53	54	91	41	71	13	33	0
0	77	22	14	70	12	27	4	49	62	80	89	29	38	50	0
00	22	21	20	36	11	80	22	25	81	44	31	89	75	0	0
7	19	4	0	61	12	75	20	29	61	92	80	34	13	54	0
13	14	25	85	61	100	81	0	62	67	71	26	84	73	0	0
12	4	7	15	47	80	78	19	7	50	11	35	20	50	28	0
18	11	25	60	22	40	0	0	10	40	53	14	11	45	0	0
13	8	4	27	30	40	0	0	0	39	38	85	94	14	17	0
0	18	20	80	27	0	0	0	0	24	10	90	69	6	0	0
0	42	41	88	30	0	0	0	0	0	0	0	0	0	0	0
0	0	0	20	20	0	0	0	0	0	0	0	0	0	0	0
0	0	0	20	41	55	18	0	0	0	0	0	0	0	0	0

140	5	0	0	0	0	0	0	0	0	0	0	0	0	0	0
80	0	0	0	0	0	120	0	120	0	0	0	0	0	0	0
120	7	0	0	0	0	0	0	0	0	0	0	0	0	0	0
100	8	0	0	0	0	0	0	0	0	0	0	0	0	0	0
90	9	0	0	0	0	0	0	0	0	0	0	0	0	0	0
80	10	0	0	0	0	0	0	0	0	0	0	0	0	0	0
60	11	0	0	0	0	0	0	0	0	0	0	0	0	0	0
40	12	0	0	0	0	0	0	0	0	0	0	0	0	0	0
30	13	0	0	0	0	0	0	0	0	0	0	0	0	0	0
20	14	0	0	0	0	0	0	0	0	0	0	0	0	0	0
10	15	0	0	0	0	0	0	0	0	0	0	0	0	0	0
0	16	0	0	0	0	0	0	0	0	0	0	0	0	0	0
0	17	0	0	0	0	0	0	0	0	0	0	0	0	0	0
0	18	0	0	0	0	0	0	0	0	0	0	0	0	0	0

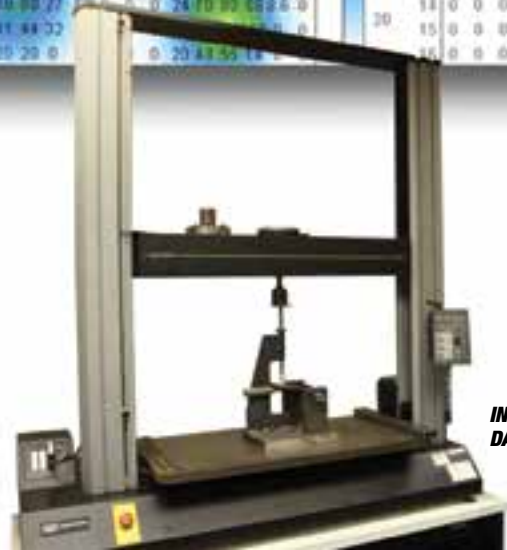


PRESSURE MAPPING

TEST ROOM

COMFORT AND RIDE PERFORMANCE

Using comfort juries and pressure mapping techniques, we have the capability to optimize seat cushion comfort. Suspension ride performance is optimized using recorded vibration data from the field to drive the man-rated, six degrees-of-freedom ride simulator. Suspension components are modified to achieve the optimum objectives and subjective ride comfort performance.



INSTRON MACHINE — DAMPER DEVELOPMENT

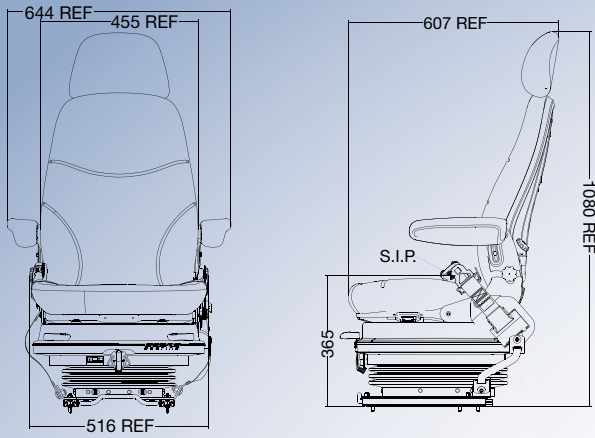


CONSTRUCTION



D7008

ASPHALT GRAY
CLOTH FAB
SHOWN



Applications: Medium & Large Excavators

7000 Series Seat Top

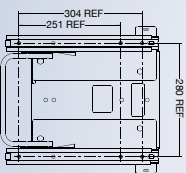
- Contoured metal seat & back pans
- High back rest
- Ergonomic contoured comfort cushions
- Asphalt gray cloth

- Recliner
- Front/rear - seat tilt/height adjust
- Mechanical lumbar
- Tilt-up adjustable armrests
- Articulating upper back rest
- Seat belts/tethers

Mechanical Suspension Excavator

- Weight adjust
- Height adjust
- Fixed shock
- Slides (bottom)
- Molded rubber boot

MOUNTING

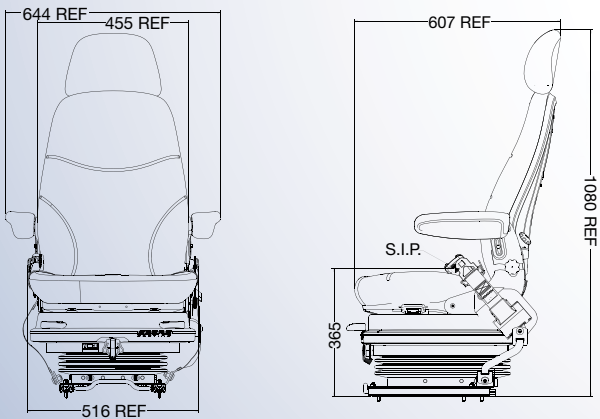


D7008

CON

D7030

ASPHALT GRAY
CLOTH FAB
SHOWN



Applications: Medium & Large Excavators

7000 Series Seat Top

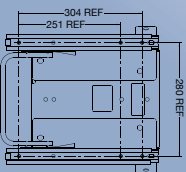
- Contoured metal seat & back pans
- High back rest
- Ergonomic contoured comfort cushions
- Asphalt gray cloth

- Recliner
- Front/rear - seat tilt/height adjust
- Mechanical lumbar
- Tilt-up adjustable armrests
- Articulating upper back rest
- Seat belts/tethers

Air Suspension Excavator Seat

- Weight adjust
- Height adjust
- Fixed shock
- Slides (bottom)
- Molded rubber boot
- 24V compressor

MOUNTING



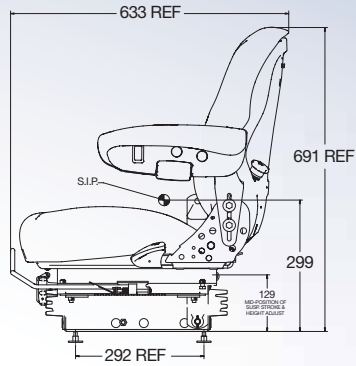
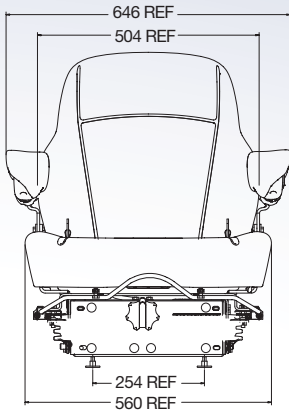
D7030

CON

5527E

CHARCOAL GRAY
CLOTH FAB

BLACK VINYL
SHOWN



Applications: Medium-Heavy Construction & Mining Equipment

5500 Series Seat Top

- Contoured metal seat & back pans
- Ergonomic contoured comfort cushions
 - Black vinyl
 - Charcoal gray cloth
- Recliner
- Mechanical lumbar

Guardian Mechanical Suspension

- Weight adjust
- Internal height adjust
- Fixed shock
- Internal tethers
- Double locking slides
- Molded rubber boot

Optional

- Tilt-up adjustable armrests (shown)

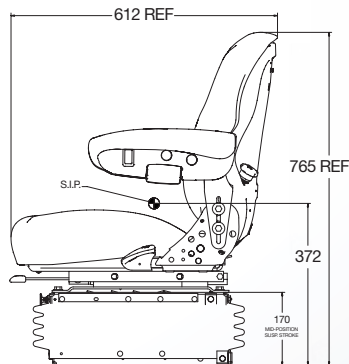
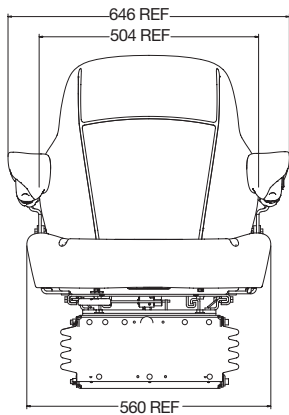
5527E



5552

BLACK VINYL

CHARCOAL GRAY
CLOTH FAB
SHOWN



Applications: Medium-Heavy Construction & Mining Equipment

5500 Series Seat Top

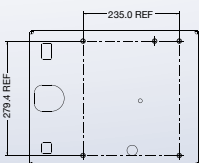
- Contoured metal seat & back pans
- Ergonomic contoured comfort cushions
 - Black vinyl
 - Charcoal gray cloth

- Recliner
- Mechanical lumbar
- Tilt-up adjustable armrests

HD Air Suspension

- 12V or 24V compressor
- Slides
- Molded rubber boot
- Shock
- Heavy duty puck slides

MOUNTING

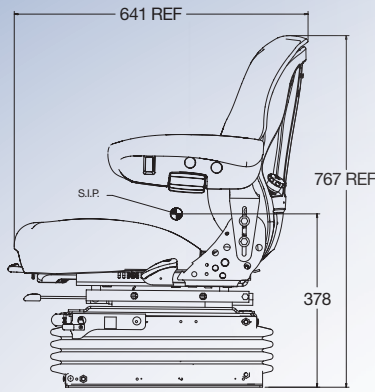
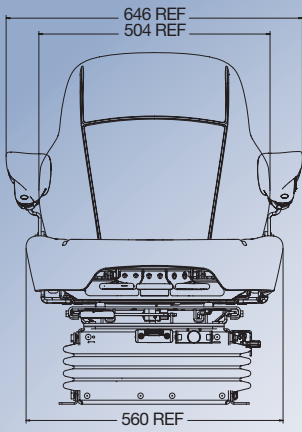


5552



5587

ASPHALT GRAY
CLOTH FAB
SHOWN



Applications: Medium-Heavy Construction & Mining Equipment

5500 Series Seat Top

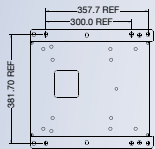
- Contoured metal seat & back pans
- Ergonomic contoured comfort cushions
- Asphalt gray cloth

- Recliner
- Mechanical lumbar
- Tilt-up adjustable armrests
- Seat cushion tilt
- Seat cushion extension

TLV (Togglelink) Air Suspension

- 24V compressor
- Adjustable shock
- HD puck slides
- Molded rubber boot

MOUNTING

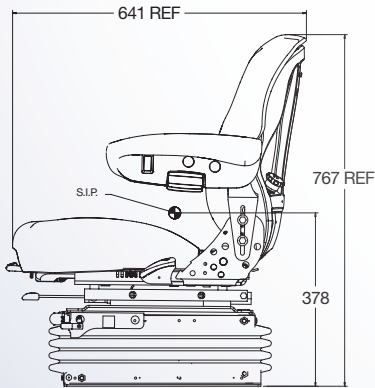
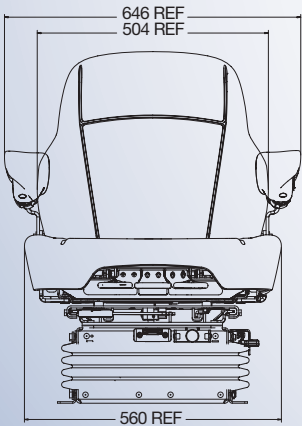


5587



L5587

MAMMOTH LEATHER WITH
GRANITE GRAY CLOTH FAB
SHOWN



Applications: Medium-Heavy Construction & Mining Equipment

5500 Series Seat Top

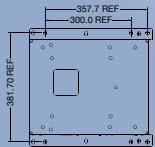
- Contoured metal seat & back pans
- Ergonomic contoured comfort cushions
- Mammoth gray leather with bolsters granite gray cloth inserts

- Recliner
- Mechanical lumbar
- Tilt-up adjustable armrests
- Seat cushion tilt
- Seat cushion extension

TLV (Togglelink) Air Suspension

- 24V compressor
- Adjustable shock
- HD puck slides
- Molded rubber boot

MOUNTING

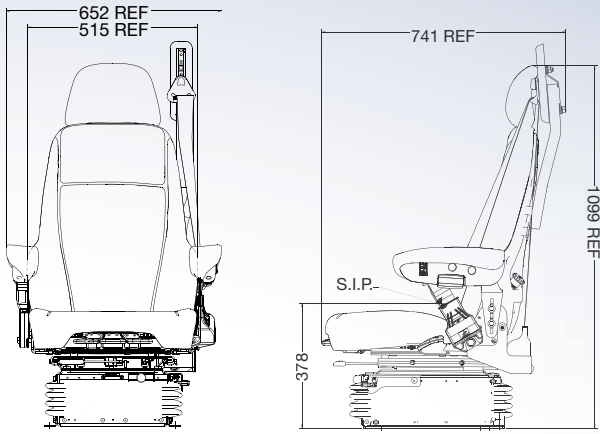


L5587



D8587

ASPHALT GRAY
CLOTH FAB
SHOWN



Applications: Medium-Heavy Construction & Mining Equipment

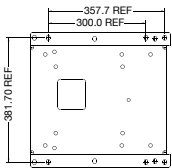
8500 Series Seat Top

- Contoured metal seat & back pans
- High back rest
- Ergonomic contoured comfort cushions
- Asphalt gray cloth
- Recliner
- Mechanical lumbar
- Seat angle adjust
- Seat extension adjust
- Articulating upper back rest
- Tilt-up adjustable armrests
- 3-point restraint system

TLV (Togglelink) Air Suspension

- 24V compressor
- Adjustable shock
- Fixed shock
- HD puck slides
- Molded rubber boot

MOUNTING

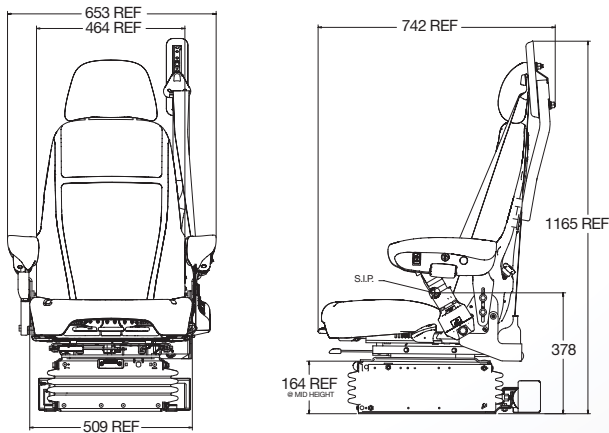


D8587



D8599

MAMMOTH LEATHER WITH
GRANITE GRAY CLOTH FAB
SHOWN



Applications: Large Construction and Mining Equipment, OHT, ADT

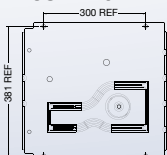
8500 Series Seat Top

- High back
- Contoured metal seat & back pans
- Ergonomic contoured comfort cushions
- Mammoth gray leather bolsters with granite gray cloth inserts
- Seat cushion tilt adjust
- Seat cushion extension adjust
- Recliner
- Mechanical lumbar
- Tilt-up adjustable armrests
- Articulating upper back rest
- 3-point restraint system

Active VRS TLV (Togglelink) Air Suspension

- 24V compressor
- 12V Active Magnetic damper system
- HD Puck slides
- Air reservoir tank
- Molded rubber boot

MOUNTING



Optional

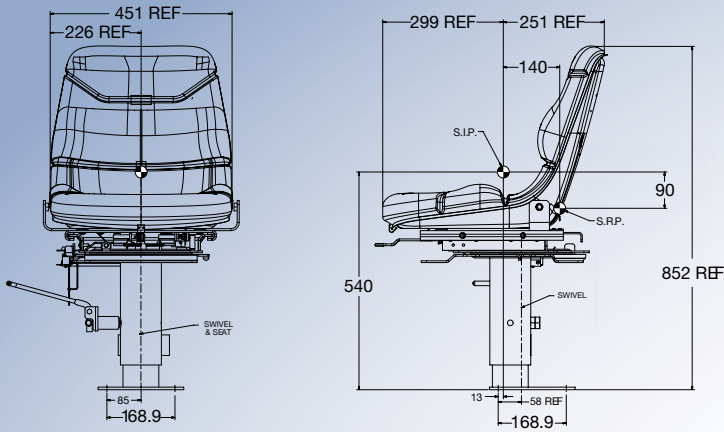
- Without 3-point restraint system

D8599



1002E/T

WHEAT VINYL
SHOWN



Applications: Backhoe Loaders

1000 Series Static Seat Top

- Metal stamped pans
- One-piece wheat color vinyl cushions

Options

- Tilt-up armrests

HD Slide/Swivel

- Slide
- Single bolt slide/swivel 180°

Height Adjust Pedestal

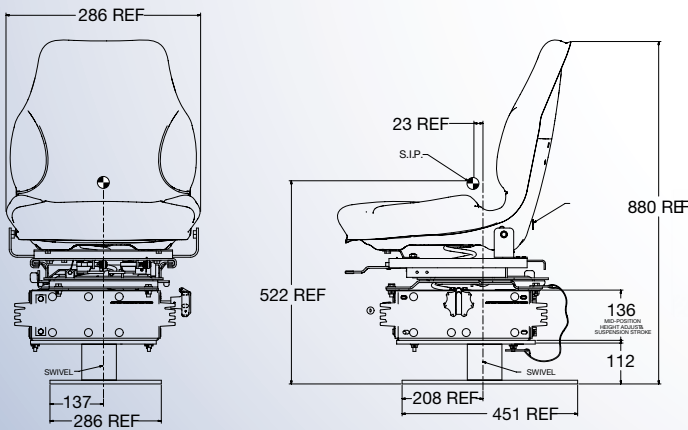
- 3 positions height adjustment
- Seat belt anchorage points

1002E/T



1427E/T

BLACK VINYL
SHOWN



Applications: Backhoe Loaders

1400 Series Static Back Seat Top

- Metal stamped pan
- One-piece black vinyl cushions

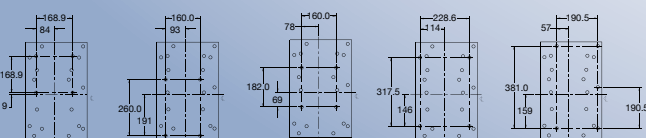
Options

- Tilt-up armrests

Guardian Mechanical Suspension

- Weight adjust
- Internal height adjust
- Fixed shock
- Molded rubber boot
- Single bolt slide/swivel 180 degrees
- Pedestal mount

MOUNTING

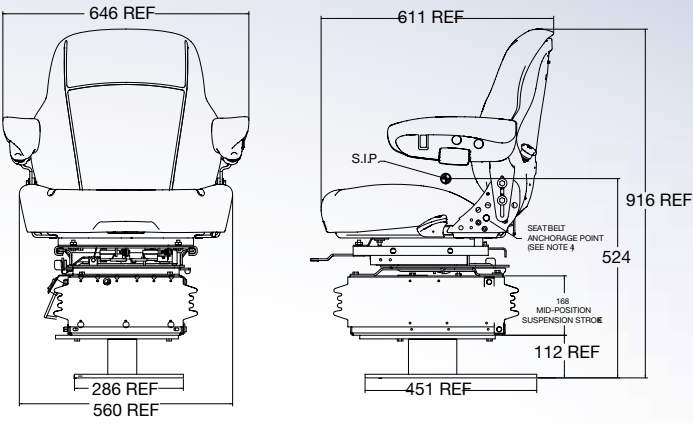


1427E/T



5527E/T

BLACK VINYL
SHOWN



Applications: Backhoe Loaders

5500 Series Seat Top

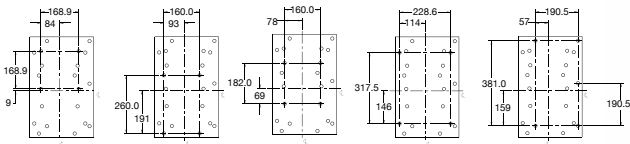
- Contoured metal seat & back pans
- Ergonomic contoured comfort cushions
- Black vinyl

- Recliner
- Mechanical lumbar
- Tilt-up adjustable armrests

Guardian Mechanical Suspension

- Weight adjust
- Internal height adjust
- Fixed shock
- Molded rubber boot
- Single bolt slide/swivel 180 degrees
- Pedestal mount

MOUNTING



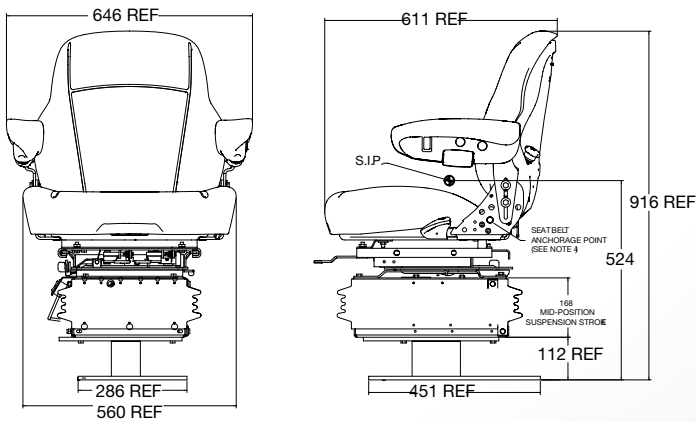
5527E/T



5540/T

BLACK VINYL

CHARCOAL GRAY
CLOTH FAB
SHOWN



Applications: Backhoe Loaders

5500 Series Seat Top

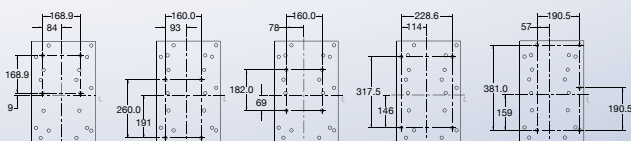
- Contoured metal seat & back pans
- Ergonomic contoured comfort cushions
- Black vinyl
- Charcoal gray cloth

- Recliner
- Mechanical lumbar
- Tilt-up adjustable armrests

Air Suspension Excavator Seat

- 12V compressor
- Shock
- Molded rubber boot
- Single bolt slide/swivel 180 degrees
- Pedestal mount

MOUNTING



5540/T





LASER CUTTING

PROENGINEER CAD SOFTWARE

PROTOTYPING

FARO

DRIVEN BY SCIENCE AND INGENUITY

A full Engineering department utilizing the latest predictive design and analytical tools. Experts in suspensions, soft trim goods and other seating features based around the world. Aided by benchmarking and focus group activities, the Engineering function brings customers wants, needs and desires to reality.

- ProEngineer CAD Software + ISDX Surface Modeling Algor FEA, SMC Spring Design and Feature CAM Software MATLAB
- Cushion and Cover Development Lab including Pattern and Mold Fabrication Capabilities
- Mobile Ride Simulator for customer use
- Prototyping – experimental and prototype fabrication lab including a laser cutter and rapid prototyping.



INDUSTRIAL

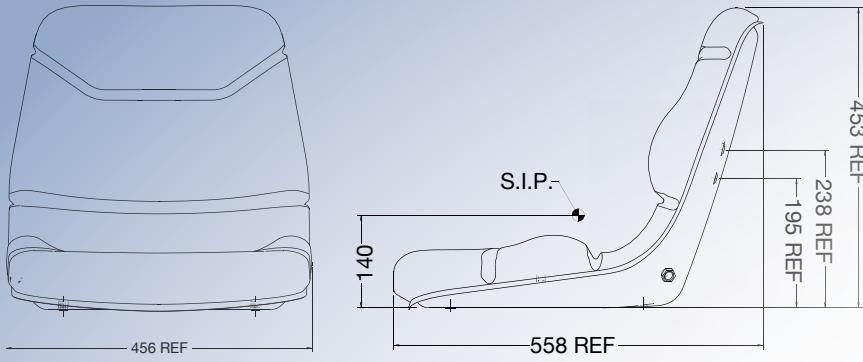


1000E/069

BROWN VINYL

GRAY VINYL

BLACK VINYL
SHOWN



Applications: Lawn & Garden, Comm.Turf, Forklifts, RT Forklifts, Skid Steers, Rollers, Compactors, Trenchers

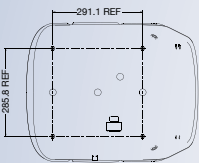
SS Static Seats

- One-piece stamped-steel pan
- Ergonomic one-piece molded self-draining cushion
- Black vinyl (E)
- Brown vinyl
- Gray vinyl
- Protective edge trim

Optional

- Armrests
- Slides

MOUNTING



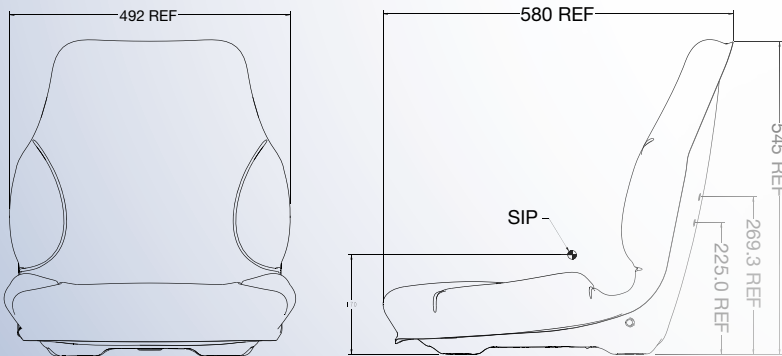
1000E/069



1400E

GRAY VINYL

BLACK VINYL
SHOWN



Applications: Lawn & Garden, Comm.Turf, Forklifts, RT Forklifts, Skid Steers, Rollers, Compactors, Trenchers

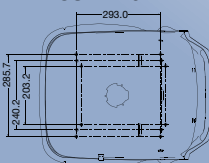
Highback Static Seats

- One-piece stamped-steel pan with highback
- Ergonomic one-piece molded self-draining cushion
- Black vinyl (E)
- Gray vinyl
- Protective edge trim
- Mtg: 8", 9.5" & 11.25"x11.5"

Optional

- Armrests
- Slides

MOUNTING



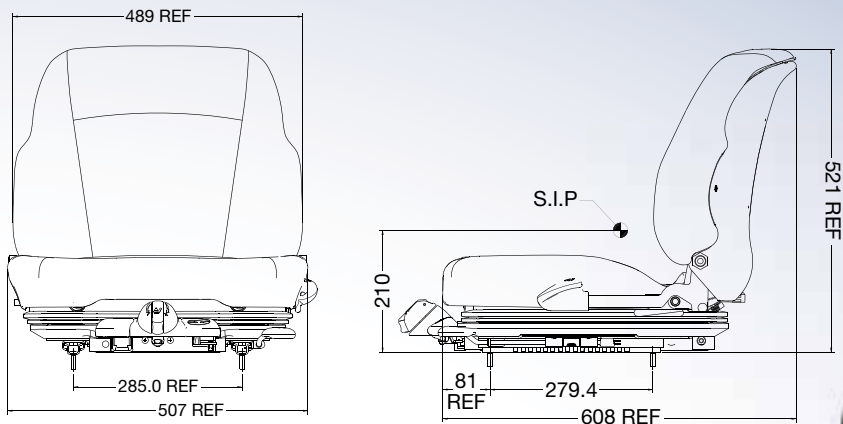
1400E



1715

ASPHALT GRAY
CLOTH FAB

BLACK VINYL
SHOWN



Applications: Lawn & Garden, Comm. Turf, Forklifts, RT Forklifts, Skid Steers, Rollers, Compactors, Trenchers

FLM Mechanical Suspension

- Suspension stroke (80mm, 56mm, 44mm)
- Full scissor suspension
- Weight adjust
- Ride indicator
- Fore/aft slide adjust
- Molded suspension cover

- Recliner
- Ergonomic contoured comfort cushions
- Quick-release cushions for easy service
- Black vinyl
- Asphalt gray cloth

Optional

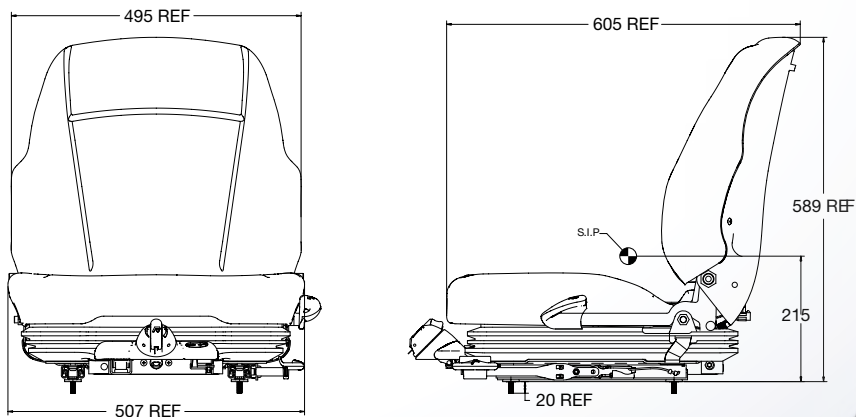
- Armrests (shown)
- Seat belts (shown)
- Hip restraints
- Swivel

1715



1815

BLACK VINYL
SHOWN



Applications: Lawn & Garden, Comm. Turf, Forklifts, RT Forklifts, Skid Steers, Rollers, Compactors, Trenchers

FLM Mechanical Suspension

- Suspension stroke (80mm, 56mm, 44mm)
- Full scissor suspension
- Weight adjust
- Ride indicator
- Fore/aft slide adjust
- Molded suspension cover
- Tethers

- Ergonomic contoured comfort cushions
- Quick-release cushions for easy service
- Mid back
- Black vinyl

Optional

- Armrests
- Seat belts
- Hip restraints

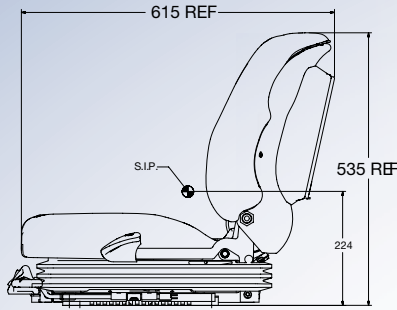
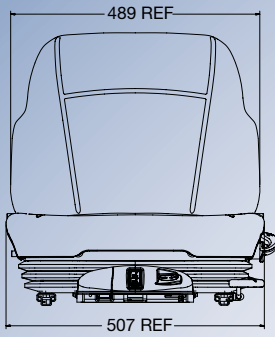
1815



1735

ASPHALT GRAY
CLOTH FAB

BLACK VINYL
SHOWN



Applications: Forklifts, Small Construction Equipment

Features

- 35 FLA air suspension (12v)
- Suspension stroke (80mm)
- Full scissor suspension
- Weight adjust
- Ride indicator
- Fore/aft slide adjust
- Molded suspension cover

- Ergonomic contoured comfort cushions
 - Quick-release cushions for easy service
 - Black vinyl
 - Asphalt gray cloth
- Recliner
- Operator presence switch
- Book box

Options

- Armrests
- Seat belts
- Hip restraints
- Swivel

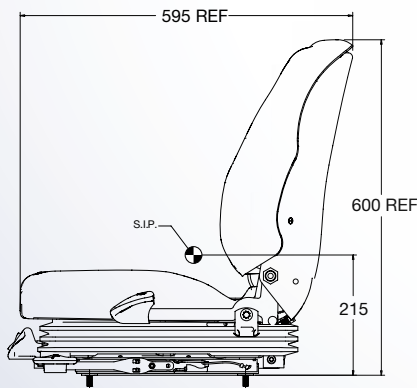
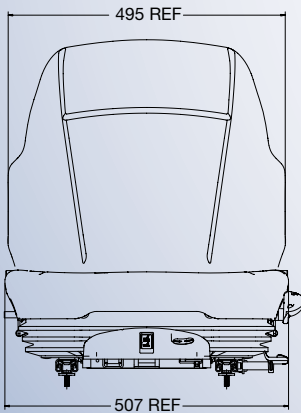
1735

IND



1835

BLACK VINYL
SHOWN



Applications: Forklifts, Skid Steers, Comm. Turf, Small Construction Equipment

Features

- 35 FLA air suspension (12v)
- Suspension stroke (80mm)
- Full scissor suspension
- Weight adjust
- Ride indicator
- Fore/aft slide adjust
- Molded suspension cover
- Tethers

- Mid back
- Ergonomic contoured comfort cushions
 - Quick-release cushions for easy service
 - Black vinyl
- Recliner
- Operator presence switch

Options

- Armrests
- Seat belts
- Hip restraints

1835

IND







TESTING



SNAG TESTING

**SIX DEGREES OF FREEDOM
DURABILITY TESTER**

SEATBELT ANCHORAGE TEST RIG



SQUIRM TESTING



WEATHER TEST CHAMBER



INGRESS/EGRESS TESTER



TESTING AND VALIDATION

intella™
PARTS COMPANY LLC

INTELLA PARTS COMPANY, LLC
196 120th Avenue, Holland, Michigan | 49424 | USA
Tel.: 616-796-6638
sales@intellaparts.com
www.intellaparts.com