



Page 1.23-1



Page 1.23-2



Page 1.23-3



Page 1.23-4



Page 1.23-5



Page 1.23-6



Page 1.23-7



Page 1.23-8



Page 1.23-9



Page 1.23-10



Page 1.23-11



Page 1.23-12



Page 1.23-13



Page 1.23-14



Page 1.23-14



Page 1.23-14



Page 1.23-15



Page 1.23-16



Page 1.23-17



Page 1.23-18



Page 1.23-19



Page 1.23-20



Page 1.23-21



Page 1.23-22



Page 1.23-23



Page 1.23-24



Page 1.23-25

Need help
determining
what seat you
need?
then click here

FORKLIFTS **LESS THAN 20,000 POUNDS** LIFTING CAPACITY

STEP 1.
Determine cloth or vinyl

STEP 2.
Determine what your seat
belt configuration is

STEP 3.
Check if your seat uses
a switch. Which type of
connector? Can a pigtail
be used? Or is a new
connector needed?

STEP 5.
Determine if your forklift
needs armrests

STEP 4.
Determine/measure
distance between rails

**KEY THINGS TO REMEMBER**

1. Some forklifts have seat cushions which are replaceable. Many (like Toyota 7-series) are not replaceable.
2. Our seats are made universal and with some slight modifications most can be used on your forklift.

FORKLIFTS MORE THAN 20,000 POUNDS LIFTING CAPACITY

STEP 1.
Determine cloth or vinyl

STEP 2.
Determine seat belt and high back or low back

STEP 3.
Determine if arm rest needed only left or right. Finger tip controls? etc.

STEP 6.
Check what suspension your seat uses Mechanical? Air? 12 or 24 Volt?

STEP 5.
Check if your seat uses a switch. Which type of connector? Can a pigtail be used? Or is a new connector needed?

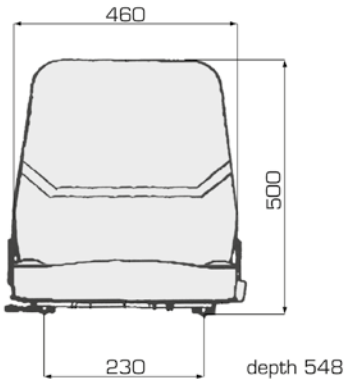
STEP 4.
Measure mounting base



Most large lift trucks have seats which are mounted on a metal base which is part of the lift truck. This is often the most critical dimension to check and the first place to start.



PAN SEAT



TECHNICAL DATA

One piece seat, includes rails. Only available in vinyl.

COMPLETE SEAT

| | PVC (vinyl) PART # |
|-------------------------|-----------------------|
| Seat standard version | 01011060 |
| Seat with safety switch | 01011063 |

ACCESSORIES

| | PVC (vinyl) PART # |
|-------------------------------------|-----------------------|
| Seat cushion | Not an option |
| Seat cushion with switch | Not an option |
| Back rest cushion | Not an option |
| Headrest | Not an option |
| Safety switch | 50996 |
| Retractable seatbelt | 51034 |
| Retractable seatbelt red | 1013030CR |
| Seatbelt bracket 450 mm | 51036 |
| Seatbelt bracket 500 mm | 51035 |
| Armrest | Not an option |
| Set of rails | 50997 |
| Operator's manual case | 269733 |
| Hip restraint LH | 542845 |
| Hip restraint RH | 542847 |
| Seat belt extension 24 inch / 60 cm | 1013030CL |



50996



51034



269733



51036 (450 mm)
51035 (500 mm)



1013030CR



50997

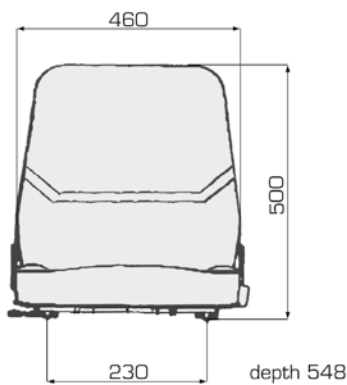


1013030CL



1021030C-E

PAN SEAT



TECHNICAL DATA

One piece seat, includes rails. Only available in vinyl.

COMPLETE SEAT

PVC (vinyl)
PART #

Seat with hip rests, rails, safety switch,
seatbelt and operator manual case 01011061

ACCESSORIES

PVC (vinyl)
PART #

Seat cushion Not an option
 Seat cushion with switch Not an option
 Back rest cushion Not an option
 Headrest Not an option
 Safety switch 50996
 Retractable seatbelt 51034
 Retractable seatbelt red 1013030CR
 Seatbelt bracket 450 mm 51036
 Seatbelt bracket 500 mm 51035
 Armrest Not an option
 Set of rails 50997
 Operator's manual case 269733
 Hip restraint LH 542845
 Hip restraint RH 542847
 Seat belt extension 24 inch / 60 cm 1013030CL



50996



269733



51036 (450 mm)
51035 (500 mm)



50997



1013030CL



51034



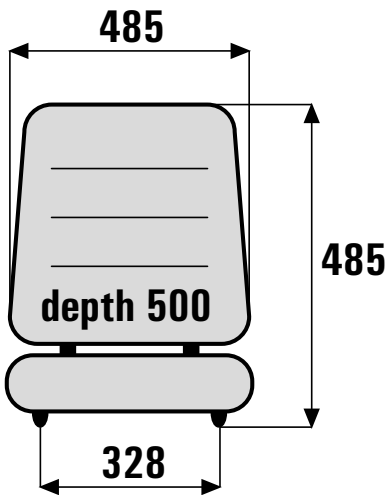
1013030CR



1021030C-E

GS 12

THICKEST VINYL IN THE INDUSTRY!



TECHNICAL DATA

Suspension seat
 Heavy duty vinyl, 1.3mm thick
 Weight adjustment from 50 - 120 kgs (110 - 265 lbs) in 3 stages
 Slide track with adjustment of 150 mm
 Includes mounting holes for seatbelt bracket

| COMPLETE SEAT | PVC (vinyl) PART # | FABRIC (cloth) PART # |
|-------------------------|-----------------------|--------------------------|
| Seat standard version | Not an option | Not an option |
| Seat with safety switch | 1012000C-E | 1012001C-E |

| ACCESSORIES | PVC (vinyl) PART # | FABRIC (cloth) PART # |
|------------------------------|-----------------------|--------------------------|
| Seat cushion | Not an option | Not an option |
| Seat cushion with switch | 763336 | 1011043 |
| Back rest cushion | 763337 | 1011045 |
| Headrest | Not an option | Not an option |
| Safety switch | Standard incl. | Not an option |
| Retractable seatbelt | 51034 | Not an option |
| Retractable seatbelt red | 1013030CR | Not an option |
| Seatbelt bracket 450 mm | Not an option | Not an option |
| Seatbelt bracket 500 mm | Not an option | Not an option |
| Armrest | 50983 | Not an option |
| Set of rails | 269828 | Not an option |
| Operator's manual case | 269733 | Not an option |
| Seat belt ext. 24 inch/60 cm | 1013030CL | Not an option |



SUSPENSION SEAT



TECHNICAL DATA

Full suspension seat
 Includes 4 springs and gas shock
 Integrated document bag
 Includes retractable seat belt
 Adjustable backrest 30° front/back
 Weight adjustment from 50-110 kgs 110-242 lbs)
 61 lbs heavy duty

*Includes rails and micro switch.
 Suitable for all types of forklifts!*

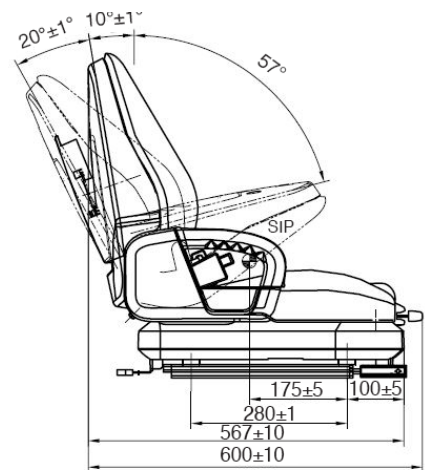
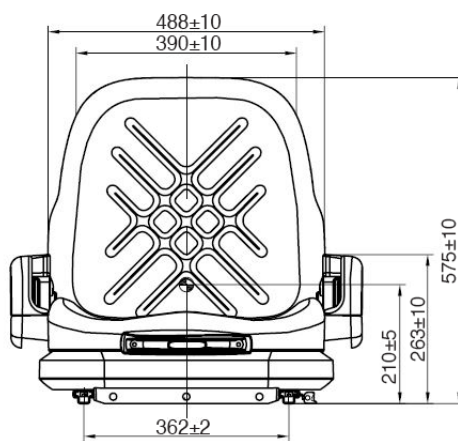


| | |
|----------------------|--------------------|
| COMPLETE SEAT | PVC (vinyl) |
| | PART # |

| | |
|-------------------------|----------|
| Seat with safety switch | 01013000 |
|-------------------------|----------|

| | |
|--------------------|--------------------|
| ACCESSORIES | PVC (vinyl) |
| | PART # |

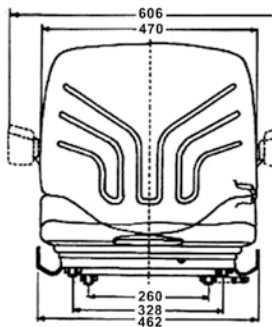
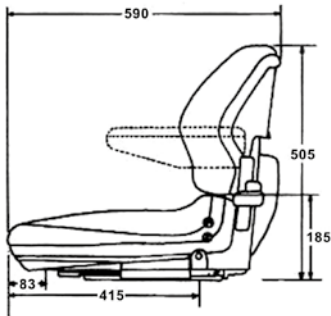
| | |
|------------------------|---------------------|
| Seat cushion | 89430092 |
| Back rest cushion | 89430093 |
| Safety switch | 66677046 / included |
| Retractable seatbelt | Included |
| Set of rails | Included |
| Operator's manual case | Included |



MSG 20



SPECIAL ORDER



TECHNICAL DATA

Full suspension seat
 Weight adjustment from 50 - 130 kgs (110 - 286 lbs) in 3 stages
 Slide track with adjustment of 150 mm

| COMPLETE SEAT | PVC (vinyl) PART # | FABRIC (cloth) PART # |
|-------------------------|-----------------------|--------------------------|
| Seat standard version | 01011050 | Not an option |
| Seat with safety switch | 01011050-E | 1011051 |

| ACCESSORIES | PVC (vinyl) PART # | FABRIC (cloth) PART # |
|------------------------------|-----------------------|--------------------------|
| Seat cushion | 01011052 | 1011053 |
| Seat cushion with switch | 01011052-E | Not an option |
| Back rest cushion | 01011054 | 1011055 |
| Headrest | Not an option | Not an option |
| Safety switch | 50984 | Not an option |
| Retractable seatbelt | 51034 | Not an option |
| Retractable seatbelt red | 1013030CR | Not an option |
| Seatbelt bracket 450 mm | Included | Not an option |
| Seatbelt bracket 500 mm | Not an option | Not an option |
| Armrest | 50993 | Not an option |
| Set of rails | 269828 | Not an option |
| Operator's manual case | 269733 | Not an option |
| Seat belt ext. 24 inch/60 cm | 1013030CL | Not an option |



50984



51034



269733



1013030CR



50997



1013030CL

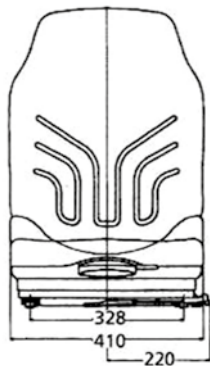
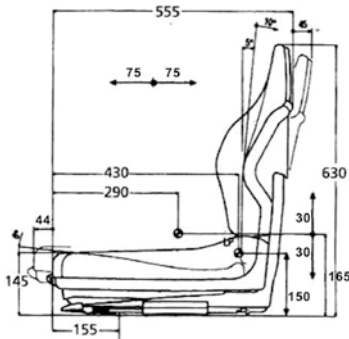


1021030C-E

**MSG 20
NARROW**



SPECIAL ORDER



TECHNICAL DATA

Full suspension seat
 Weight adjustment from 50 - 130 kgs (110 - 286 lbs) in 3 stages
 Slide track with adjustment of 150 mm
 Reachtruck application

| COMPLETE SEAT | PVC (vinyl) PART # | FABRIC (cloth) PART # |
|-------------------------|-----------------------|--------------------------|
| Seat standard version | Not an option | 01011059N |
| Seat with safety switch | 1011050N-E | 01011059N-E |

| ACCESSORIES | PVC (vinyl) PART # | FABRIC (cloth) PART # |
|------------------------------|-----------------------|--------------------------|
| Seat cushion | 1011052N | 01011067N |
| Seat cushion with switch | 1011052N-E | Not an option |
| Back rest cushion | 1011054N | Not an option |
| Headrest | Not an option | Not an option |
| Safety switch | Standard incl. | Not an option |
| Retractable seatbelt | 51034 | 51034 |
| Retractable seatbelt red | 1013030CR | 1013030CR |
| Seatbelt bracket 450 mm | 51036 | 51036 |
| Seatbelt bracket 500 mm | Not an option | Not an option |
| Armrest | Not an option | Not an option |
| Set of rails | 269828 | 269828 |
| Operator's manual case | 269733 | 269733 |
| Seat belt ext. 24 inch/60 cm | 1013030CL | 1013030CL |



269733



51036 (450 mm)
51035 (500 mm)



50997



1013030CL



51034



1013030CR



1021030C-E

SEARS SF 1200



SPECIAL ORDER

TECHNICAL DATA

Full suspension seat
 Weight adjustment from 50 - 130 kgs (110 - 286 lbs) in 3 stages
 Slide track with adjustment of 150 mm

| COMPLETE SEAT | PVC (vinyl) PART # | FABRIC (cloth) PART # |
|-------------------------|-----------------------|--------------------------|
| Seat standard version | 01011180 | Not an option |
| Seat with safety switch | Not an option | Not an option |

| ACCESSORIES | PVC (vinyl) PART # | FABRIC (cloth) PART # |
|------------------------------|-----------------------|--------------------------|
| Seat cushion | 01011182 | Not an option |
| Seat cushion with switch | Not an option | Not an option |
| Back rest cushion | 01011184 | Not an option |
| Headrest | Not an option | Not an option |
| Safety switch | 61793 | Not an option |
| Retractable seatbelt | 51034 | Not an option |
| Retractable seatbelt red | 1013030CR | Not an option |
| Seatbelt bracket 450 mm | Not an option | Not an option |
| Seatbelt bracket 500 mm | Not an option | Not an option |
| Restraint LH / RH | 273451 / 273452 | Not an option |
| Set of rails | 50997 | Not an option |
| Operator's manual case | included | Not an option |
| Seat belt ext. 24 inch/60 cm | 1013030CL | Not an option |



51036 (450 mm)
51035 (500 mm)



51034



1013030CR



50997

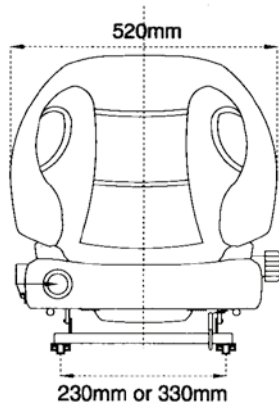
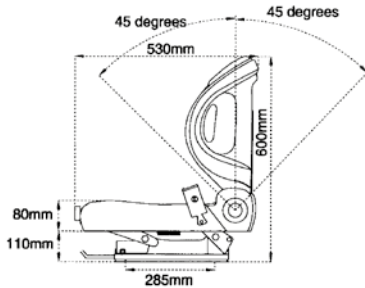


1013030CL



1021030C-E

**VGF-80
ALL-INCLUSIVE SEAT**



TECHNICAL DATA

- Full feature seat
- Integrated document bag
- Includes retractable seat belt
- Dust-proof mantle
- Adjustable backrest 45° front/back
- Weight adjustment from 50 - 130 kgs (110 - 286 lbs)
- Slide track with adjustment of 150 mm

*Includes rails (adjustable 230/330 mm) and micro switch.
Suitable for all types of forklifts!*

COMPLETE SEAT **PVC (vinyl)**
PART #

Seat with safety switch 01011080

ACCESSORIES **PVC (vinyl)**
PART #

Seat cushion 01011081

Back rest cushion 01011083

Safety switch 01011082 / included

Retractable seatbelt 51034 / included

Set of rails 50997 / included

Operator's manual case included

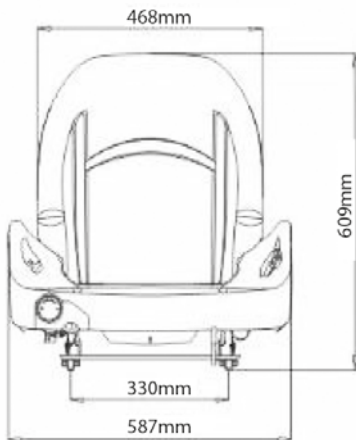
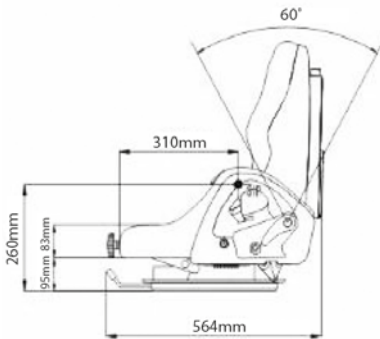


01011081



01011083

**VGF-90
ALL-INCLUSIVE SEAT**



TECHNICAL DATA

- Full option seat
- Integrated document bag
- Retractable safety belt
- Dust-proof mantle
- Adjustable backrest 60° front/back
- Weight adjustment from 50 - 120 kgs (110 - 264 lbs)
- Slide track with adjustment of 150 mm
- Mechanical suspension integrated in cushion
- Damper

Inclusive rail (adjustable 230/330 mm) and micro switch.

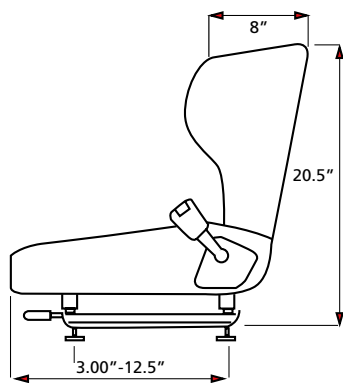
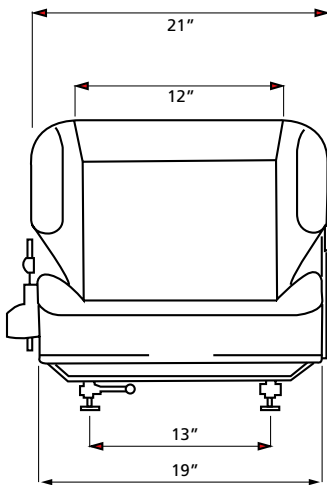
Suitable for all type of forklifts!

| COMPLETE SEAT | PVC (vinyl) |
|-------------------------|--------------------|
| | PART # |
| Seat with safety switch | 1012090 |

| ACCESSORIES | PVC (vinyl) |
|------------------------|--------------------|
| | PART # |
| Seat cushion | 01012091 |
| Safety switch | included |
| Retractable seatbelt | 51034 / included |
| Set of rails | 50997 / included |
| Operator's manual case | included |



TY-1



TECHNICAL DATA

Semi suspension seat
INCLUDES SEAT BELT
 Vinyl

COMPLETE SEAT

PVC (vinyl)
 PART #

Seat with seatbelt, no switch 1014000C
 Seat with seatbelt and switch 89199586

ACCESSORIES

PVC (vinyl)
 PART #

Switch 66677046
 Retractable seatbelt black 51034
Retractable seatbelt red 1013030CR
 Set of rails included
 Operator's manual case included
 Seat belt ext. 24 inch/60 cm 1013030CL



66677046



51036 (450 mm)
 51035 (500 mm)



51034



1013030CR



50997



1013030CL



1021030C-E

VINYL



TECHNICAL DATA

Adjustable backrest 25° front/back
 Weight adjustment from 45 - 136 kgs
 Slide track with adjustment of 152 mm
 Full suspension

COMPLETE SEAT

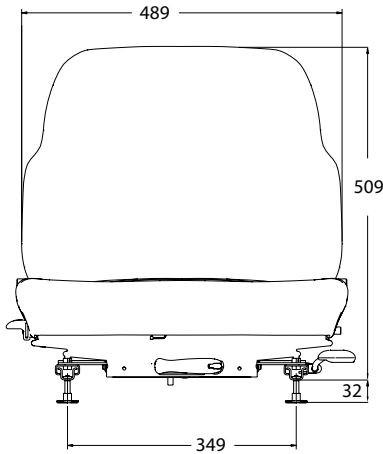
PVC (vinyl)
 PART #

Seat with safety switch 592075

ACCESSORIES

PVC (vinyl)
 PART #

Seat bottom cushion 297752
 Seat bottom cushion w/switch 734517
 Back rest cushion 719937
 Safety switch Not sold separately
 Seat belt 739163



CLOTH



TECHNICAL DATA

Adjustable backrest 25° front/back
 Weight adjustment from 45 - 136 kgs
 Slide track with adjustment of 152 mm
 Full suspension

COMPLETE SEAT

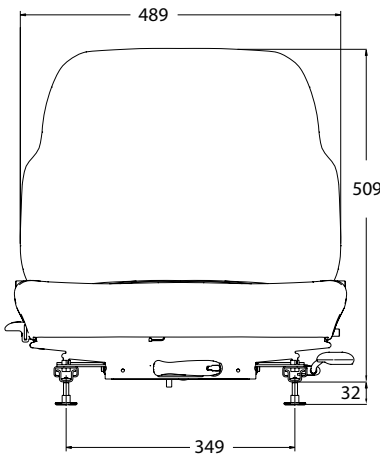
FABRIC (cloth)
 PART #

Seat with safety switch 592073

ACCESSORIES

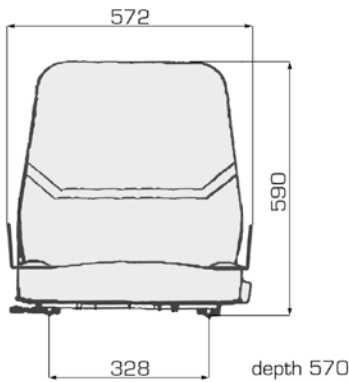
FABRIC (cloth)
 PART #

Seat bottom cushion 722505
 with switch Not an option
 Back rest cushion 719939
 Safety switch not sold separately
 Seat belt 739163



739163

**UNIVERSAL
FLIP FORWARD SEAT**



TECHNICAL DATA
Flip forward seat
Vinyl only

| COMPLETE SEAT | PVC (vinyl) PART # |
|-------------------------|-----------------------|
| Seat with safety switch | 89139281 |

| ACCESSORIES | PVC (vinyl) PART # |
|------------------------------|-----------------------|
| Seat cushion | Not an option |
| Seat cushion with switch | Not an option |
| Back rest cushion | Not an option |
| Headrest | Not an option |
| Safety switch | Not sold seperatly |
| Retractable seatbelt | 51034 |
| Retractable seatbelt red | 1013030CR |
| Mounting bracket 450 mm | 51036 |
| Mounting bracket 500 mm | 51035 |
| Armrests | Not an option |
| Set of rails | 50997 |
| Seat belt ext. 24 inch/60 cm | 1013030CL |



51036 (450 mm)
51035 (500 mm)



51034



1013030CR



1013030CL



1021030C-E

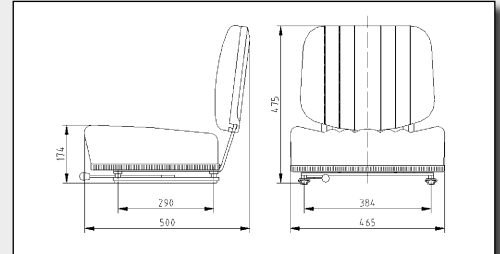


UNIVERSAL SEAT ASSEMBLY

PART# 1015000C

Specifications:

- Universal design specifically for industrial applications.
- Freeze formed vacuum cushions & back rests.
- Fore/aft adjustment - 5" (100 mm)
- Adjuster width - 15" (384 mm)
- Bolt hole spacing front to back - 11" (290mm)



UNIVERSAL SEAT

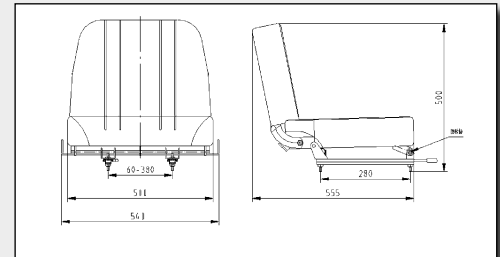
PART# 1018000C

Specifications:

- Heavy duty 7/8" tubular frame
- Seat belt brackets
- Folding back rest
- Seat tilts forward
- 6" fore/aft adjusters 11" O/C front to rear mount
- 5" to 15 1/2" lateral adjustment

Hyster Unisource 3022576
Yale 150016903

Seatbelt is an option

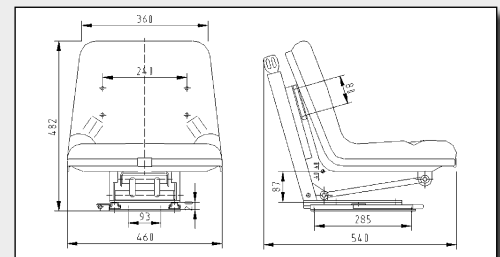


PART# 1015050C

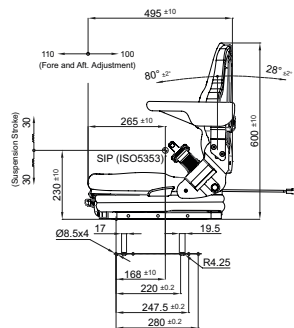
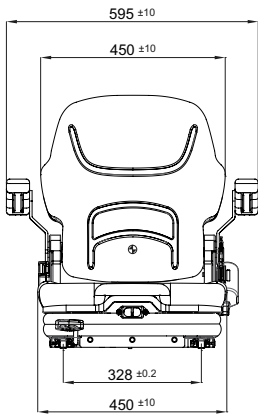
Specifications:

- One piece cushion & back rest
- Self draining seat
- Low profile back rest
- Heavy duty vinyl with seamless molded construction
- Steel shell with protective edge trim

Clark 1801806
Clark 997197
Toyota Starlift 00591-32833-81



OP1502/OP1552



TECHNICAL DATA

- Air suspension with 12V built-in compressor and heater
- Weight adjustment Automatic up to 150 kgs.
- Suspension stroke 60 mm
- Slide travel 210 mm
- Fold-up and adjustable armrests
- Headrest
- Adjustable and foldable backrest
- Seat belt
- Operator presence switch
- Standard connection width 328 mm



COMPLETE SEAT

| COMPLETE SEAT | PART # |
|--------------------------------------|-----------------|
| Seat with safety switch Vinyl | 01011502 |
| Seat with safety switch Cloth | 01011552 |

ACCESSORIES

| ACCESSORIES | PART # |
|----------------------------------|------------|
| Retractable seatbelt | 01013030C |
| Retractable seatbelt red | 01013030CR |
| Retractable seatbelt with switch | 01023030CE |
| Armrests | 01013500 |
| Headrest Vinyl | 01012500 |
| Headrest Cloth | 01012550 |
| Operator's manual case | 01011069 |





OP1501/OP1551

TECHNICAL DATA

- Mechanical suspension
- Weight adjustment Manual up to 150 kgs.
- Suspension stroke 60 mm
- Slide travel 210 mm
- Adjustable and foldable backrest
- Seat belt
- Operator presence switch
- Standard connection width 328 mm

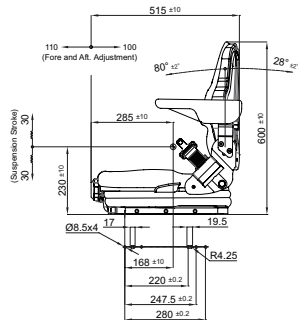
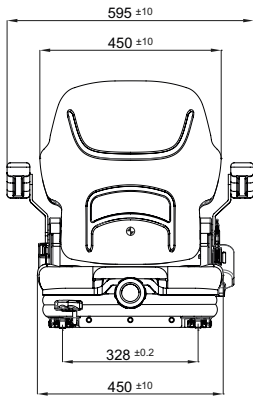


COMPLETE SEAT

| COMPLETE SEAT | PART # |
|--------------------------------------|-----------------|
| Seat with safety switch Vinyl | 01011501 |
| Seat with safety switch Cloth | 01011551 |

ACCESSORIES

| ACCESSORIES | PART # |
|----------------------------------|------------|
| Retractable seatbelt | 01013030C |
| Retractable seatbelt red | 01013030CR |
| Retractable seatbelt with switch | 01023030CE |
| Armrests | 01013500 |
| Headrest Vinyl | 01012500 |
| Headrest Cloth | 01012550 |
| Operator's manual case | 01011069 |



OP1550

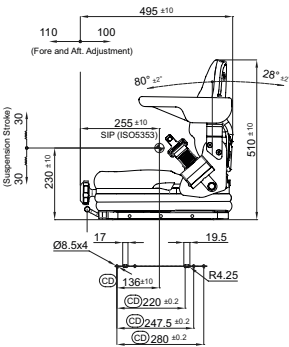
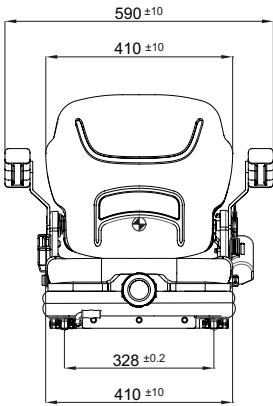


TECHNICAL DATA

- Mechanical suspension
- Weight adjustment Manual up to 150 kgs.
- Suspension stroke 60 mm
- Slide travel 210 mm
- Adjustable and foldable backrest
- Standard connection width 328 mm
- Operator presence switch
- Suitable for reachtruck

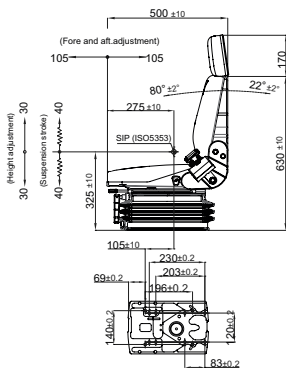
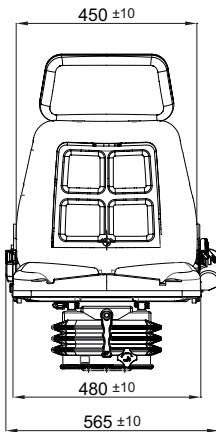
| SEAT | PART # |
|--------------------------------------|-----------------|
| Seat with safety switch Cloth | 01011550 |

| ACCESSORIES | PART # |
|----------------------------------|------------|
| Retractable seatbelt | 01013030C |
| Retractable seatbelt red | 01013030CR |
| Retractable seatbelt with switch | 01023030CE |
| Armrests | 01013500 |
| Headrest Cloth | 01012550 |
| Operator's manual case | 01011069 |





OP1700/OP1750



TECHNICAL DATA

- Mechanical suspension
- Weight adjustment Manual up to 150 kgs.
- Suspension stroke 80 mm
- Height adjustment 60 mm
- Slide travel 210 mm
- Foldable armrests / Adjustable armrests
- Headrest, Adjustable and foldable backrest
- 2 point seat belt
- Front Controls
- Slides between seat top and suspension
- Standard connection widths 120 mm and 140 mm

COMPLETE SEAT

| COMPLETE SEAT | PART # |
|-------------------|-----------------|
| Seat Vinyl | 01011700 |
| Seat Cloth | 01011750 |

ACCESSORIES

| ACCESSORIES | PART # |
|----------------------------------|------------|
| Retractable seatbelt | 01013030C |
| Retractable seatbelt red | 01013030CR |
| Retractable seatbelt with switch | 01023030CE |
| Armrests | 01013600 |
| Headrest Vinyl | 01012500 |
| Headrest Cloth | 01012550 |
| Operator's manual case | 01011069 |



OP1701/OP1751



TECHNICAL DATA

With Headrest
 With A5 Armrest
 B27 1.EKM.026 2 point ALR seat belt
 V1 Black vinyl upholstery / C16 Fortuna Grey cloth upholstery
 Suspension type is mechanical

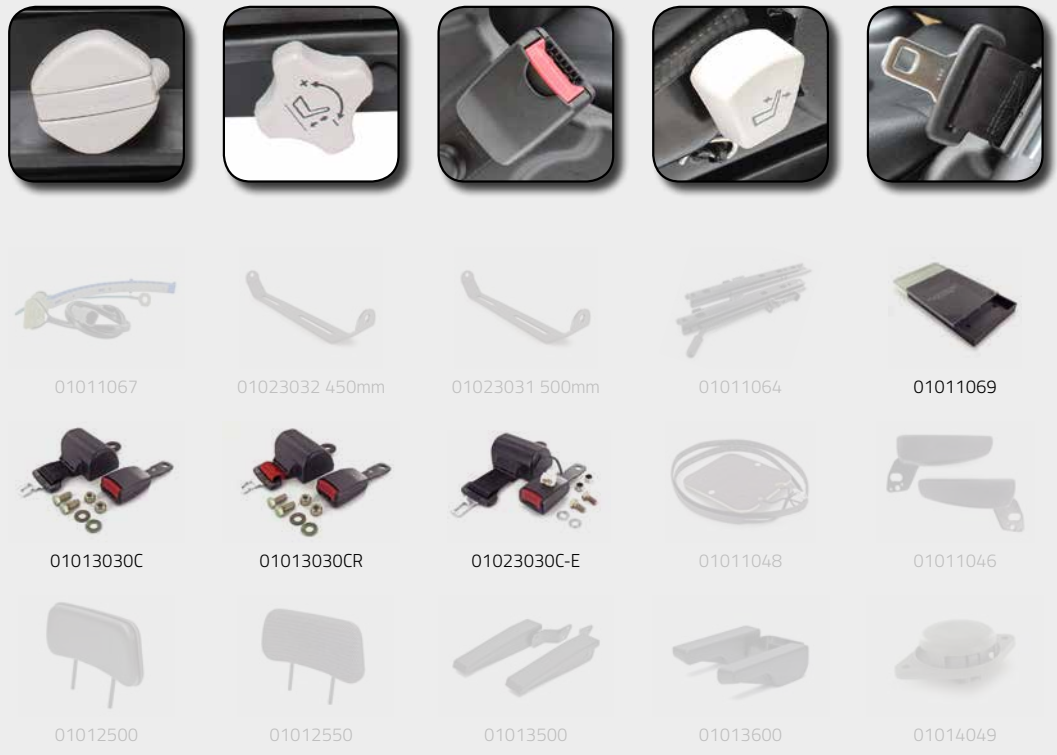
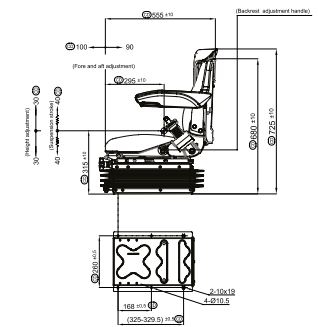
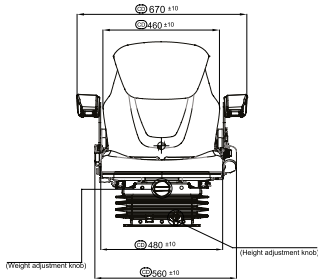


COMPLETE SEAT

| COMPLETE SEAT | PART # |
|-------------------|-----------------|
| Seat Vinyl | 01011701 |
| Seat Cloth | 01011751 |

ACCESSORIES

| ACCESSORIES | PART # |
|----------------------------------|------------|
| Retractable seatbelt | 01013030C |
| Retractable seatbelt red | 01013030CR |
| Retractable seatbelt with switch | 01023030CE |
| Operator's manual case | 01011069 |





OP1752



TECHNICAL DATA

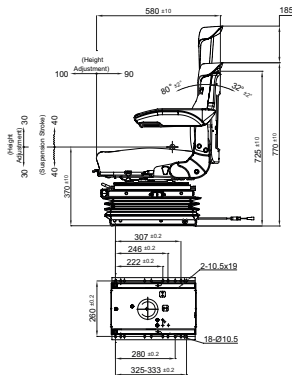
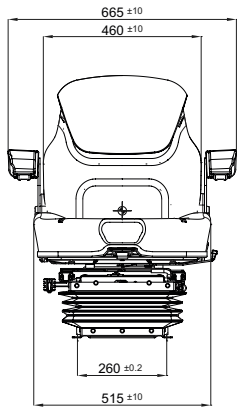
- Air suspension with 12V built-in compressor
- Weight adjustment Automatic up to 150 kgs.
- Suspension stroke 80 mm
- Height adjustment 60 mm
- Slide travel 190 mm
- Foldable armrests / Adjustable armrests
- Adjustable integrated headrest
- Adjustable and foldable backrest
- Seat cushion depth adjustment
- 2 point seat belt
- LH Controls
- Slides between seat top and suspension
- Standard connection width 260 mm

COMPLETE SEAT

Seat with safety switch **Cloth** **01011752**

ACCESSORIES

- | ACCESSORIES | PART # |
|----------------------------------|------------|
| Retractable seatbelt | 01013030C |
| Retractable seatbelt red | 01013030CR |
| Retractable seatbelt with switch | 01023030CE |
| Operator's manual case | 01011069 |

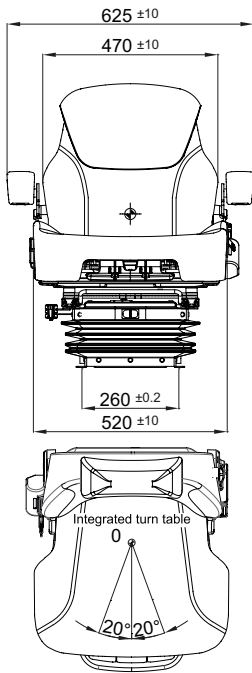


OP1754



TECHNICAL DATA

- Air suspension with 12V built-in compressor
- Weight adjustment Automatic up to 150 kgs.
- Suspension stroke 100 mm, Height adjustment 60 mm
- Turn Table
- Adjustable shock absorber
- Horizontal isolator
- Slide travel 190 mm
- Adjustable and foldable armrests
- Adjustable integrated headrest
- Adjustable and foldable backrest
- Seat cushion tilt adjustment and depth adjustment
- 2 point seat belt
- Front Controls
- Slides between seat top and suspension
- Standard connection width 260 mm



COMPLETE SEAT

Seat **Cloth**

PART #

01011754

ACCESSORIES

- | ACCESSORIES | PART # |
|----------------------------------|------------|
| Retractable seatbelt | 01013030C |
| Retractable seatbelt red | 01013030CR |
| Retractable seatbelt with switch | 01023030CE |
| Operator's manual case | 01011069 |





OP1603



TECHNICAL DATA

Mechanical suspension
 Weight adjustment Manual up to 130 kgs.
 Suspension stroke 80 mm
 Height adjustment 60 mm
 Slide travel 150 mm
 Angled mounting possible

COMPLETE SEAT

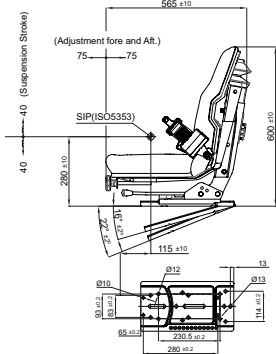
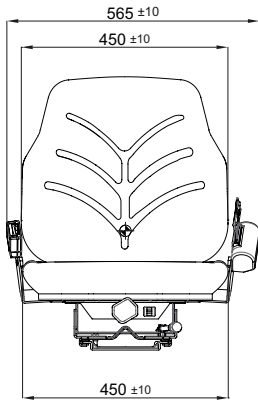
Seat **Vinyl**

PART #

01011603

ACCESSORIES

| ACCESSORIES | PART # |
|----------------------------------|------------|
| Retractable seatbelt | 01013030C |
| Retractable seatbelt red | 01013030CR |
| Retractable seatbelt with switch | 01023030CE |
| Operator's manual case | 01011069 |



OP1600



TECHNICAL DATA

- Mechanical suspension
- Weight adjustment Manual up to 150 kgs.
- Suspension stroke 80 mm
- Height adjustment 60 mm
- Slide travel 210 mm
- Front Controls
- Slides between seat top and suspension
- Standard connection widths 120 mm and 140 mm

COMPLETE SEAT

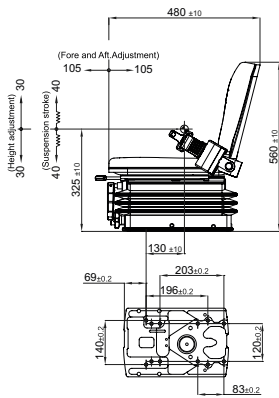
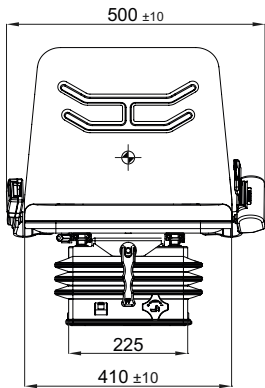
Seat **Vinyl**

PART #

01011600

ACCESSORIES

- Retractable seatbelt 01013030C
- Retractable seatbelt red 01013030CR
- Retractable seatbelt with switch 01023030CE
- Operator's manual case 01011069



01011067



01023032 450mm



01023031 500mm



01011064



01011069



01013030C



01013030CR



01023030C-E



01011048



01011046



01012500



01012550



01013500



01013600



01014049



OP1602



TECHNICAL DATA

Mechanical suspension
 Weight adjustment Manual up to 140 kgs.
 Suspension stroke 80 mm
 Height adjustment 60 mm
 Slide travel 150 mm

COMPLETE SEAT

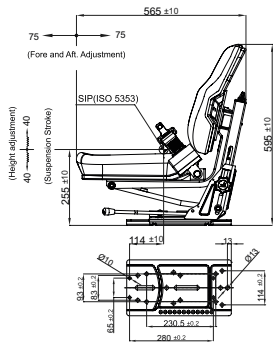
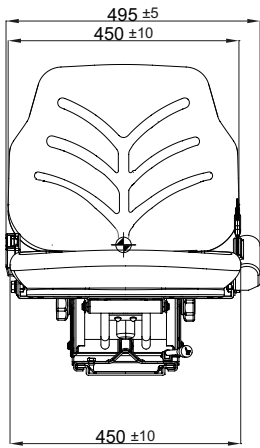
Seat **Vinyl**

PART #

01011602

ACCESSORIES

| ACCESSORIES | PART # |
|----------------------------------|------------|
| Retractable seatbelt | 01013030C |
| Retractable seatbelt red | 01013030CR |
| Retractable seatbelt with switch | 01023030CE |
| Operator's manual case | 01011069 |

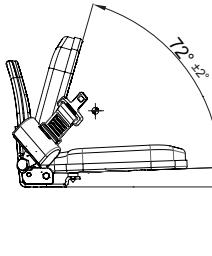
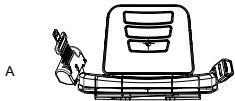
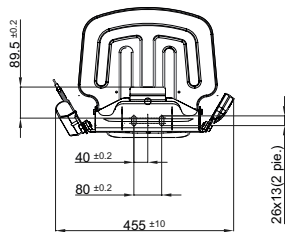




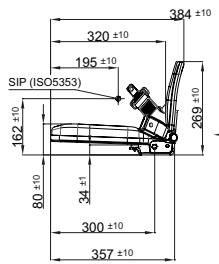
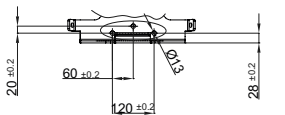
OP1800

TECHNICAL DATA

Fold up seat cushion
 Vinyl trim (Vacuum type)
 2 Point seat belt



View A



| SEAT | PART # |
|-------------------|-----------------|
| Seat Cloth | 01011800 |

| ACCESSORIES | PART # |
|----------------------------------|------------|
| Retractable seatbelt | 01013030C |
| Retractable seatbelt red | 01013030CR |
| Retractable seatbelt with switch | 01023030CE |
| Operator's manual case | 01011069 |



01011067

01023032 450mm

01023031 500mm

01011064

01011069



01013030C

01013030CR

01023030C-E

01011048

01011046



01012500

01012550

01013500

01013600

01014049

